



Price List 2026

THE CLASSIC COLLECTION

SANITARYWARE · BATHROOM FURNITURE · WELLNESS · TAPS

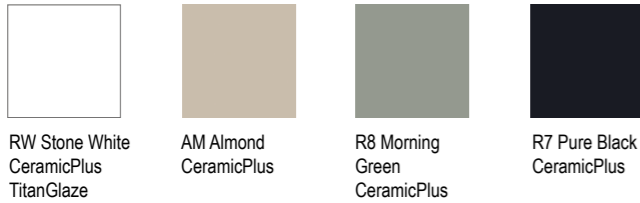
Ceramic colours

Glossy colours



01 White Alpine R1 White Alpine CeramicPlus T2 White Alpine AntiBac CeramicPlus R3 Pergamon CeramicPlus

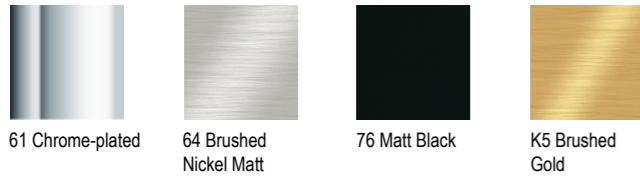
Matt colours



RW Stone White CeramicPlus TitanGlaze AM Almond CeramicPlus R8 Morning Green CeramicPlus R7 Pure Black CeramicPlus

The colours AM, R7 and R8 are made to order. Please enquire about delivery times when ordering.

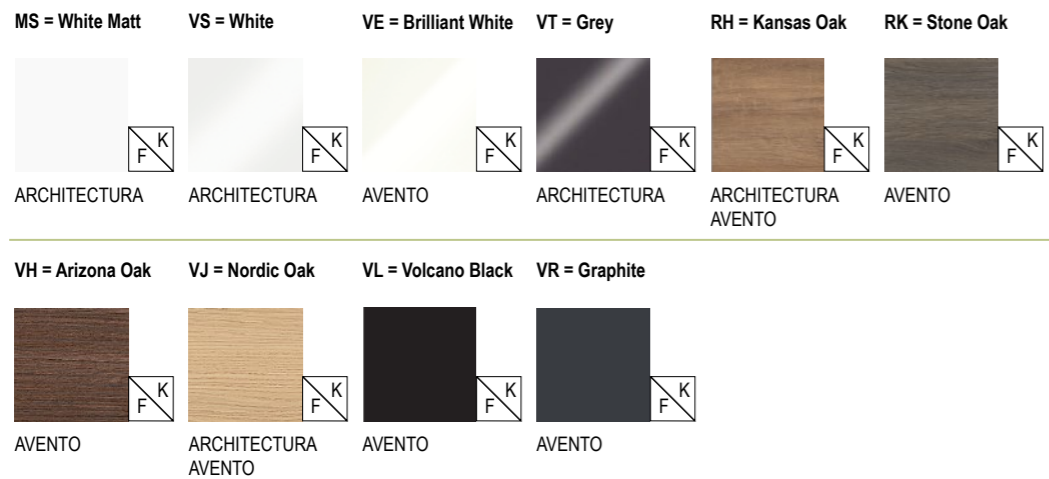
Metal surfaces



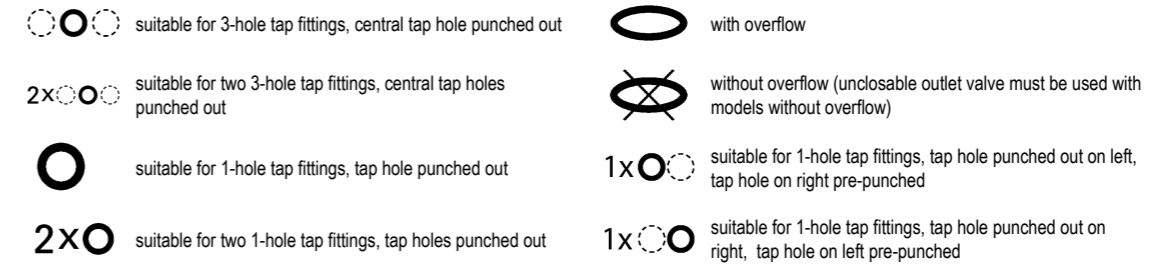
61 Chrome-plated 64 Brushed Nickel Matt 76 Matt Black K5 Brushed Gold

Furniture colours

Front Colour Body Colour

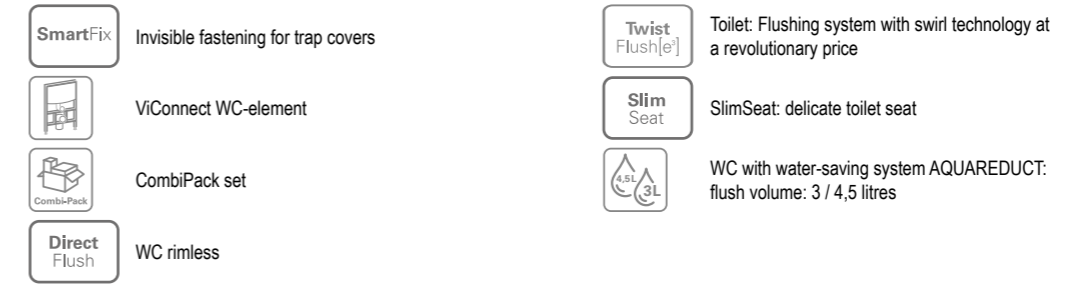


Symbols



Icons

Bath ceramic



SANITARY WARE & FURNITURE

Architectura	11
Avento	40
More to See Lite	49
More to See One	53
My View Lite	55
O.Novo	57
Reflection	87
ViClean	89
ViConnect Installation systems	92
Accessories	106
BATHS	108
Architectura	109
O.Novo	119
TAPS	124
Architectura	125
Architectura Square	129
Elements - Striking	133
Elements - Tender	139
O.Novo	146
O.Novo Start	150
Verve Showers	155
Universal Fittings	157
Universal Taps & Fittings	162
Shower Packs	166

IMPORTANT NOTE

Sanitaryware & Bathroom Furniture

Price List 2026 replaces all earlier price lists. It applies to all deliveries as of July 1st, 2026.

Shades and dimensions subject to the usual tolerances. We reserve the right to make technical modifications to the range and alter colours.

This document may only be reproduced or copied in full or in part in any form with the producer's permission.

Price information

The prices given in this price list are recommended prices in GBP and are valid from 1st of July 2026. All prices are subject to VAT.

They do not represent the manufacturer's recommended retail price (RRP), which may differ from the accounting price.

We reserve the right to make (price) changes; prices are subject to printing errors. Claims arising from incorrect prices and descriptions shall not be considered.

All offers, sales and deliveries of sanitaryware, bathroom furniture as well as accessories are subject to our "General Sales Conditions".

The prices of all washbasin models and bidets only cover the ceramics.
The tap fittings and soap dispensers shown are not included in these prices.
The prices of furniture / furniture elements do not include the ceramics.

Sanitaryware

The ceramic materials used by Villeroy & Boch are very robust. They are capable of withstanding all temperature strain caused by hot or cold water or steam.

The glazed surfaces of Villeroy & Boch's sanitary ceramics are scratch-resistant and able to withstand all soap-water solutions and acids generally arising in the sanitary area. This does

not include hydrofluoric acid or compounds. Nor is the surface affected by organic solvents and intensive agents.

The symbols for the tap hole and overflow are explained on the fold-out cover page.

Furniture

The bathroom furniture programmes from Villeroy & Boch feature high-quality materials and craftsmanship. Our own production facility in Germany guarantees a uniform high quality. Furniture may only be assembled by a qualified professional in accordance with the assembly instructions enclosed and using the attachment materials supplied.

Further information, such as 2D/3D data or brochures, is available to download from the company website.



These products are always in stock

Produced to order:

Delivery period 6 - 8 weeks. Please note that it is not always possible to cancel or change orders!

Warranty

The statutory warranty period applies for all Villeroy & Boch products:

- Bathroom ceramics 2 or 5 years
- Bathroom furniture 2 years
- ViConnect and ViClean 2 years
- Toilet seats, accessories 2 years

Further technical information is to be found at www.villeroy-boch.com

Wellness

General

All Villeroy & Boch baths and shower trays are manufactured from top quality bathroom acrylic reinforced with glass fibre, or from the unique Quaryl®. Quaryl® is a synthetic material developed by Villeroy & Boch which is cast in moulds, therefore very exact designs can be produced. The synthetic material is coloured all the way through and retains its colour and shine for many years.

Design

Acrylic and, in particular, Quaryl® can be formed into all sorts of shapes very easily so that innumerable bathroom designs are possible. There is a suitable bath for all bathrooms: rectangular, hexagonal, oval or corner bath. From modern and minimalistic to royal and comfortable with handgrips and headrests. You will always feel at home in a Villeroy & Boch bath.

Temperature take-up

The material, be it acrylic or Quaryl®, takes on the temperature of the bath water almost immediately. This has the big advantage that you will not receive a cold shock when you lie down in the bath or step into the shower.

Heat insulation

Acrylic and Quaryl® conduct heat slowly. Therefore the heat from the bath water is retained longer. This insulating capacity has the added advantage that the bath does not have to be continually topped up with hot water.

Maintenance

The surfaces of acrylic and Quaryl® have no pores so they repel bacteria. Dirt, limescale and soap residue are virtually unable to gain a hold on the material, so that maintenance is restricted to wiping down with a wet cloth or sponge and the use of a non-scouring cleanser. We advise you to rinse out the whirlpool systems once a month with washing soda, particularly if bath oils are used. Our shower cabins are best cleaned using liquid soap.

Safety & hygiene

Villeroy & Boch whirlpools meet the highest standards of safety and hygiene. To assure hygiene, some models are equipped with special jets or have a fully automatic cleaning system, which automatically engages when the bathwater has drained. The pipes are then dried by air. The blowing-dry can also be performed manually, for example, if water has entered the system while the bathtub is being cleaned. To guarantee safe operation, all water-carrying whirlpools are equipped with a special hair trap, which stops water suction if the drain is blocked. To prevent the whirlpool from being switched on when there is no water in the tub, all systems feature dry-run protection that operates by means of a level sensor. The Whisper systems carry the KEMA test mark and of course the CE logo as well.

Cleaning and hygiene

Villeroy & Boch whirlpools are very easy to clean. After use, the bathtub should be rinsed with clean water and dried with a cloth. All jets can be disassembled at any time for cleaning, using

the equipment provided. We recommend mild detergents that will gently clean the surface of the jets. It is highly recommended not to use bath products containing oil, but bath salts, etc. can safely be used, as long the salt dissipates. To achieve optimal hygiene in the pipes, we recommend rinsing the whirlpool once a month with a cleaner.

Material

Acrylic and Quaryl® are very durable materials which, when correctly maintained, keep their colour and shine for many years. Quaryl® is partly composed of natural materials. One of the characteristics of Quaryl® is that, in exceptional cases, small irregularities may appear in its structure. Scratches in acrylic materials are seldom. Naturally light damage or burn marks can occur, but these can be very easily removed from acrylic by using fine sandpaper (no. 1000 to 1200) and a small piece of fine steel wool. After this shining colour surfaces must be further treated with a car polish compound to reproduce the original lustre. It is also possible to repair damage to Quaryl®. We advise you to contact our professional service department if any of your Quaryl® product become damaged.

Warranty

The statutory warranty period applies for all Villeroy & Boch products:

- Baths, shower trays made from acrylic and Quaryl® 5 years
 - Whirlpool systems and technical components 2 years
 - Accessories and tap fittings 2 years
- In addition, we offer a 10-year guarantee on all baths and shower trays made from acrylic or Quaryl® in accordance with the relevant warranty conditions.

Price information

The prices given in this price list are recommended prices in GBP and are valid from 1st of July 2026. All prices are subject to VAT.

We reserve the right to make (price) changes and to correct printing/typing errors. No rights can be derived from errors made in prices and descriptions. All prices excl. VAT.

GENERAL SALES CONDITION OF VILLEROY & BOCH GROUP

Bathroom and Wellness Division – Status January 2026

- I. General**
- These General Terms and Conditions of Sale and Delivery (hereinafter referred to as "conditions of sale") shall apply to all – i. e. also to future – quotations, supply of Goods and other related performance of services by Villeroy & Boch AG, including all its branches and group affiliated companies (hereinafter referred to as "Company", "we", "us" or "ourselves"), to professional customers who are not consumers (hereinafter referred to as "Purchasers"); the Purchaser and us jointly referred to as "the parties"
 - These conditions of sale shall, unless any other provision is expressly made, apply for the entire duration of the business relationship without its being necessary for us to make specific reference to it. The terms and conditions of the Purchaser shall not apply unless expressly recognized by us in writing. These conditions of sale shall also apply if these terms and conditions shall also apply if we deliver without objection to the customer's conflicting terms and conditions.
 - All separate arrangements agreed between us and the Purchaser upon conclusion of a commercial contract shall be confirmed in writing. Our employees are not authorized to provide any verbal undertakings which deviate from a written contractual agreement.
 - The latest version of the conditions of sale shall apply independent of any earlier version or edition of conditions of sale of the Company which may have previously been notified to the Purchaser.
- II. Quotations**
- Unless designated as binding in their text, our quotations shall be deemed to be non-binding and without any obligation from our side. They shall not place us under any obligation to accept a given order. The Purchaser shall ensure that the terms of its order are complete and accurate.
 - Cancellation of an order is possible only with our consent, save where Purchaser has statutory rights of cancellation or rescission. Our consent to a cancellation shall be contingent upon the Purchaser bearing all costs and expenses accruing up to the time of cancellation and any losses which we may incur in this connection (e.g. loss of profit).
- III. Prices and Deliveries**
- If the parties have not agreed on a price, the price shall always be determined according to our then current price lists valid at the time when the commercial contract is concluded.
 - All prices are exclusive of value added tax and/or any other taxes that would apply.
 - In the event of any increase in costs related to the object of the commercial contract amounting to 5 % or more compared to the costs that applied at the time of conclusion of the commercial contract, where such increases are not specifically foreseeable and where we bear no responsibility for such increase, we shall be entitled to pass on the increased costs by proportionately raising the agreed price at our reasonable discretion (price adjustment). Such price adjustment may, for example, relate to manufacturing, wage, material, storage, energy and freight costs, insurance premiums and public charges. Any such increase shall be applied for the purpose of a price adjustment if such increase is not off-set by any decreasing costs in other areas. On request, we will provide evidence of the cost increase. In the event of a price increase in excess of 10 %, the Purchaser shall be entitled to cancel the commercial contract within 14 days after receiving notification of the price increase.
 - Deliveries shall be executed in line with the contractually agreed terms. In the absence of any express agreement between the parties, deliveries shall be effected FCA (Incoterms 2020) from a warehouse of the Company in Germany or the Netherlands.
 - The delivery dates or periods stated in the order confirmation shall be estimated dates or periods and shall therefore be non-binding. They shall only be binding if confirmed as such in our order confirmation.
 - Unless any other contractual agreement has been made, the delivery period shall begin on the date of receipt of the written order confirmation provided by the Company
 - If a non-binding delivery date or period (as referred to in Section 7 below as "non-binding delivery period") is not met, we shall only be in default upon the expiry of a grace period and insofar we received a reminder in writing from the Purchaser, unless we can prove that we were not responsible for not meeting the non-binding delivery period or if execution of the delivery took place during the grace period. The length of the grace period shall be 1/5 of the non-binding delivery period. The grace period shall begin on the first working day that follows the end of the non-binding delivery period. If the length of the grace period is not an exact number of full days, weeks or months, it shall be rounded off to the nearest full number of days (example: non-binding delivery period 27 days, 1/5 = 5.4 days, grace period =

- rounded off to 5 days).
- If a delivery period or date is not met for reasons for which we are not responsible, in particular in cases in which we ourselves have received a late or incorrect self-delivery or deliveries, the delivery period shall be extended by a reasonable period. We shall inform the Purchaser without delay in such case. If we are, furthermore, unable to render our performance within the extended period for such delivery, as set out above, we shall inform the Purchaser hereof without delay. In such case each of the parties shall have the right to rescind the contract within a period of two weeks beginning from the date when we inform the Purchaser. Having exercised said right of rescission, we shall reimburse the Purchaser without delay for any counter-performance that he may already have rendered. For the rest, any rights and/or obligations of the parties shall remain unaffected.
- IV. Packaging**
- Unless any special packaging requirements have been agreed, the Goods shall be packaged at our discretion in accordance with the standard commercial methods. Any special carriage and/or packaging requirements of the Purchaser agreed to by the Company shall be charged to the Purchaser at cost.
 - If Goods are loaded on pooling pallets, delivery shall take place with direct pallet exchange with the haulage contractor. Purchaser must provide intact interchangeable pallets. Missing pallets will be invoiced to the Purchaser.
- V. Risk on Goods**
- Risk in the Goods shall pass according to the agreed Incoterm.
 - Insurance shall only be taken out at the wish and expense of the Purchaser.
 - The Purchaser shall examine the Goods on delivery and shall promptly (but in any event within three working days of delivery) notify us in writing and the carrier, where relevant, of any apparent damage, defect and/or shortage. Where applicable, the Purchaser shall comply with the carrier's rules, regulations and requirements so as, where appropriate, to enable us to make a claim against the carrier in respect of any damage or loss in transit.
- VI. Terms of payment**
- Unless any other agreement has been made, our claims for payment shall be due immediately upon receipt of invoice. The date that will be considered in order to determine whether or not payment has been made in due time shall be the date on which payment is actually received by the Company.
 - If it becomes apparent to us after conclusion of the commercial contract that there is a risk that the Purchaser may not be in a position to fulfil his payment obligations, we shall have the right to insist that outstanding deliveries be effected only against advance payment or against the provision of securities. If said advance payments have not been made or securities have not been provided after the expiry of a reasonable period set by ourselves, we shall be entitled to rescind all or any of the commercial contracts affected thereby or any part thereof. The period shall be regarded as reasonable if it is at least 10 calendar days, though the Purchaser shall also have the option of proving that the period was not reasonable in a given individual case. We shall in particular be entitled to take appropriate measures if one of the following circumstances occurs: if the Purchaser has drawn cheques not covered by sufficient funds, if cheques of the Purchaser are protested, if an application is made for the institution of insolvency proceedings or if insolvency proceedings are actually instituted against the Purchaser: the above notwithstanding our entitlement to assert further rights in such case.
 - Cheques will only be accepted following special agreement and in all cases only as conditional payment. Discount charges, collection fees and all other costs shall be chargeable to the Purchaser.
- VII. Retention of title**
- We shall reserve ownership of the delivered Goods until such time as all payments arising from the existing business association with the Purchaser have been received; said reservation refers to the acknowledged balance.
 - The Purchaser shall have the right to resell Goods subject to retention of title in the normal course of business. The Purchaser may neither pledge the Goods subject to retention of title nor transfer title of them as security. The Purchaser hereby also assigns to us all claims which accrue to him from the resale for the value of the amount of the final invoice of our claim (inclusive of turnover tax). We hereby accept the assignment. The claims thus assigned to us in advance by the Purchaser also relates to the acknowledged balance and, in the case of insolvency of the Purchaser, to the existing causal bal-

- ance. The limit of coverage for the assigned claims shall be 110 % of the actual value of the goods sold and delivered subject to retention of title. The Purchaser shall be empowered to collect the claim. Said empowerment to collect and authorization to resell may be revoked by us if the Purchaser is in breach of any of his material contractual obligations (e.g. default in payment) under these conditions of sale.
- The Purchaser shall inform us immediately on any access by third parties to the Goods delivered by us subject to retention of title, also in case such access is about to occur. He shall inform third parties attempting (or intending to attempt) to take possession of the Goods that the latter are our property. Any costs for interventions shall be borne by the Purchaser if the third party is not in a position to reimburse us for the judicial and extrajudicial costs.
 - If the Purchaser is in breach of any of his material contractual obligations under these conditions of sale, in particular in case of default in payment, we shall have the right to recover the Goods and to visit the premises of the Purchaser for this purpose. Rescission of the contract is, furthermore, immanent in any such recovery of the Goods by us. We shall, after the recovery, be authorized to exploit the Goods commercially, whereby the proceeds from such exploitation are to be off-set against the liabilities of the Purchaser (e.g. damages) – minus reasonable exploitation costs. If the Purchaser was responsible for the breach that led to the rescission, he shall remit to us lump-sum compensation for the return transport of the Goods equal to an amount of 5% of the purchase price. This sum may be higher or lower if we can prove that the loss or damages were in reality more important or if the Purchaser can prove that it was in reality lower.
 - We shall, at any time, have the right to request information from the Purchaser on the Goods delivered under retention of title provided they are still in his possession, where they are, and to which customers the remaining Goods supplied by us have been sold, said information relating to quantity, type and number. We shall also have the right to inspect the Goods delivered under retention of title on any of the Purchaser's premises, wherever the Goods may be at any given time.
 - The Purchaser has the obligation to treat the Goods with due care and shall carry out any necessary servicing and maintenance work at his own expense, to insure our Goods against fire and/or theft at his own expense. The Purchaser shall also provide us, on request, with proof that Purchaser has met its obligations under this section.
 - Any processing or re-modelling of the Goods by the Purchaser will always be carried out on our behalf. If the Goods are processed with other objects of which we are not the owner, we shall acquire co-ownership of the new object in proportion of the value of the Goods (final invoice amount inclusive of turnover tax) compared to the other processed objects at the time of processing. For the rest, the provisions governing retention of title shall apply correspondingly on the object created through the processing activity.
- As security against our claims against him, the Purchaser shall also assign to us the claims which accrue to him against a third party as a result of the combination of the Goods with other objects.
- If the Purchaser can prove that the actual value of the securities exceeds the value of the outstanding claims by more than 10%, we shall release the surplus amount if this is requested in writing of the Purchaser.
- VIII. Product specifications**
- Since we are continuously improving the design, specifications and the manufacturing of our Goods, and since the Goods are agreed to be supplied subject to reasonable availability to us of suitable materials, we reserve the right to, without notice, to substitute materials, components and units other than those stipulated in the commercial contract.
 - Whilst we seek to ensure consistent shades in the Goods, some variation is unavoidable, particularly between articles of different material or manufacture. All drawings, descriptive matter, colors and color samples, weights, dimensions, specifications, capacities, brochures, catalogues, price lists and all advertising materials are provided by Company for the sole purpose of identifying the Goods or giving an approximate idea of the nature of the Goods described therein, and no information contained in any of them shall be considered as an integral part of the commercial contract.
 - All drawings and specifications supplied by us are and shall remain our property and must not be reproduced or divulged by the Purchaser without our prior written permission.
 - If parties agree that Goods are produced and/or in accordance with specifications supplied by the Purchaser, the Purchaser shall be solely responsible for those specifications, ensuring that they are accurate and that the Goods supplied in accordance with those specifications are fit for the Purchaser's purpose.
 - If the Purchaser makes any subsequent changes to Goods supplied by us, in particular decorations or technical modifications, Purchaser

GENERAL SALES CONDITION OF VILLEROY & BOCH GROUP

Bathroom and Wellness Division – Status January 2026

shall not be permitted to resell them under our any of our trademarks unless we have explicitly agreed to such changes in writing and in advance.

IX. Warranty

- Except for the provisions stipulated hereafter in this section, the statutory warranty regulations shall apply.
- If the Goods are defective, we shall at our discretion be entitled either to rectify the defects (rectification of defects), deliver defect-free Goods (replacement delivery) or to give credit for price of the Goods.
- The Purchaser shall store and handle rejected Goods in the correct and proper manner. We shall have the right to examine rejected Goods together with an expert or other third party appointed by ourselves for the purposes of appraisal, and if necessary for the purpose of drawing up cost estimates or similar. If the Purchaser fails to make the rejected Goods available to us for examination within a reasonable period set by ourselves, our liability for the defects shall cease on expiry of said period.
- Where the design and/or specifications of the Goods that are subject of the warranty claim have been altered, we may at our option fulfil our obligations under the warranty by supplying replacement Goods with a new design and/or altered specifications.
- Warranty claims of the Purchaser for damages or compensation shall be governed in Section X ("Liability"), but shall otherwise be excluded.
- As far as there is no different mandatory rule under the law, claims arising from a defect shall expire two years after delivery of the Goods. Claims for damages caused intentionally, as result of gross negligence, resulting into bodily injury or death, shall remain subject to the statutory period of limitation.
- Our liability for defects shall not extend to cover damages caused by normal wear and tear (e.g. metal abrasion or wear caused by abrasive agents), deterioration in surface properties (unavoidable according to the accepted engineering standards at the time when the contract was concluded), improper use of the Goods, non-compliance with the instructions for cleaning, care or use, or damages caused by the Purchaser or a third party or if the Goods have been subject to alteration, modification, repair or an additional manufacturing process other than at the Company's factory and/or by persons not expressly selected and approved in writing by the Company.

X. Liability

- We shall be liable in accordance with the applicable statutory provisions in relation to the reason and for the amount (a) if it is proven that we acted intentionally and/or for gross negligence; (b) in case of damages that fall within the scope of protection of a guarantee issued by us; (c) in case of death or bodily injury we caused or (d) in case of damages caused in breach of the Product Liability Act.
- In all other cases, we shall only be liable in the event of material breach (obligation the fulfilment of which is a prerequisite for the proper performance of the commercial contract and the observance of which the contractual partner regularly relies on and may rely on) and insofar limited to the typical damage foreseeable at the time of the conclusion of the contract. Liability, for whatever legal reason, for indirect damage, consequential damage or loss of profit shall be excluded.
- If we fail to perform our obligations correctly under these conditions of sale, the Purchaser shall be entitled, on this basis, to claim six of that default if his claim is for a contractual penalty or lump-sum compensation incurred within a supply chain in another contractual relationship in that supply chain, but only if he informed us expressly about the risk of such loss or damage prior to the conclusion of the commercial contract. If not, the Purchaser shall be entitled to claim for a contractual penalty or lump-sum compensation owed and paid by him as loss or damage caused by default only in the amount of a maximum of 5% of the net value of the relevant order. The same shall apply if the Purchaser makes a claim against us for indemnification in respect of such contractual penalties or lump-sum compensation. The above limitations of liability shall not apply in case damages have been caused intentionally, in result of gross negligence and/or in case of death or bodily injury.
- For the rest, the Purchaser shall not be entitled to claim any other damages from Company
- Insofar we restricted our liability in this section, the same restrictions shall apply to the personal liability of our legal representatives, employees, non-managerial staff and vicarious agents.

XI. Off-set, right of retention

The Purchaser shall only be entitled to a right of retention or a right to off-set insofar this is legally enforceable or for undisputed claims. This restriction shall not apply to counterclaims of the Purchaser due to defects and/or partial non-performance of the commercial con-

tract, for cases where such counter-claims are based on the same commercial contract as our claim.

XII. Industrial proprietary rights

- All industrial and intellectual property rights relating to the Goods, our products, shapes, illustrations, installation instructions, reports, data and other records and documents shall remain our property or, as the case may be, our respective licensors.
- Where all or any of the Goods or packaging for such Goods is produced based on Purchaser's specifications, the Purchaser shall indemnify us against all actions, claims, costs, damages, expenses or losses arising from any infringement or alleged infringement of registered design, trade mark, patent, design right, copyright or any similar protection in respect of such Goods or related packaging.

XIII. Data protection

- We will process your personal data (e.g. name, e-mail address, telephone and fax number) solely in accordance with the relevant legal provisions, in particular GDPR. We will use your data solely for the purpose for which you provide them to us (e.g. for handling orders and payments, for delivery of the goods) and for the purpose of carrying out our own business. The relevant legal basis is provided by our legitimate interest in order to execute standard business operations and for the implementation of contracts pursuant to Article 6, sub-section 1, letter f of the GDPR (general data protection regulation of EU)
- Our central CRM database helps us to manage our relationships with customers, interested parties and partners. The purpose of this database is to enable us to pursue individual customer relations and to respond quickly to inquiries. The relevant legal basis is provided by our legitimate interest pursuant to Article 6, sub-section 1, letter f of the GDPR in the fast and efficient processing of inquiries from customers, potential customers and partners, supporting our processes in the areas of service, sales and marketing by an experienced and reliable partner and in reducing our own scope of work and expenditure with regard to the necessary IT infrastructure. The provider of our CRM system is based in a third country. Data processing is safeguarded by a processing contract and the standard EU contract clauses have been agreed with this provider.
- Further information concerning matters such as your rights as a data subject and the contact details of our data protection officer are to be found in our data privacy statement at: <https://www.villeroy-boch.it/datenschutz.html>

XIV. Force Majeure

- If the continued performance of contractual obligations of the Company has become excessively onerous due to an event beyond its reasonable control which it could not reasonably have been expected to have taken into account at the time of the conclusion of the contract; and that it could not reasonably have avoided or overcome the event or its consequences, the parties are bound, within a reasonable time of the invocation of this clause, to negotiate alternative contractual terms which reasonably allow to overcome the consequences of the event ("Force Majeure Event"). We may elect at sole discretion (a) to cancel the commercial contract and refund to the Purchaser any sums paid by the Purchaser; following which we shall have no further obligation or liability to the Purchaser; (b) to reduce the volume of the Goods ordered and/or to defer the date of delivery of the Goods or (c) to perform or complete performance of the commercial contract within a reasonable time following termination of the Force Majeure Event.
- In case of Force Majeure, we shall decide whether the Purchaser has to accept the Goods (in whole or partly).

XV. Applicable law, place of jurisdiction

- The laws of Germany shall apply, to the exclusion of the UN Convention on Contracts for the International Sale of Goods.

If the Purchaser is a professional who concludes the contract in the context of a commercial transaction, a legal entity under public law or a separate asset under public law, the place of jurisdiction for all disputes arising from or in connection with the commercial contract shall be the registered offices of the Villeroy & Boch Group company which concluded the contract with the Purchaser.

XVI. Export

- The Purchaser shall be responsible for complying with any legislation or regulations governing the importation of the Goods into the country of destination and their sale therein and for the payment of any duties thereon. The Purchaser agrees to comply with all applicable economic or financial sanctions, restrictive measures, trade embargoes or export control laws, including but not limited to those imposed, administered or enforced from time to time by (i) the United Nations Security Council, (ii) the United States, (iii) the European Union or any Member State thereof, (iv) the United Kingdom, or (v) the respective governmental institutions of any of the foregoing in-

TWISTFLUSH - MORE POWER, LESS WATER



TwistFlush is the new toilet flushing system which ensures optimum flushing and is highly water-efficient into the bargain. It exploits the physical power of swirling water for hygienic flushing and clean results.



Flushes like no other

The TwistFlush technology (patent pending) clearly surpasses the standard requirements*. A controlled flow of swirling water generates a very powerful vortex in the conically shaped basin which flushes virtually the entire inner surface of the toilet, effectively removing soiling.



Save up to 19,700 litres of water a year

With TwistFlush, you save precious water every time you press the flush button. The toilet uses only 4.5 litres for a large flush, and a mere 3 litres for a small flush. And the flush is so powerful that you usually only need to flush once. This means that a family can save up to 19,700** litres a year.



The brushless future starts here

The conically shaped bowl with very steep and ultra-smooth walls largely avoids soiling from the outset. The powerful flushing action deals with the rest. And the toilet brush is history.



Tough on dirt and germs

In addition to its flushing power, TwistFlush also boasts hygiene benefits: the rimless bowl and CeramicPlus provide for easy cleaning, while AntiBac prevents 99.9 % of bacterial growth. In this way, the toilet reduces the spread of germs, protecting young and old alike.



Practically splash-free


With TwistFlush, every drop of water is used for flushing, with no splashing over the toilet rim*. The controlled swirling action means that the flushing power is generated just where it is needed. The water swirls over almost the entire inner surface area. There is virtually no splashing and aerosols are reduced.

* In accordance with European standard EN 997.


**4-person household, compared with a conventional 6-litre flush. Average use: 5 x per person per day, based on information from the German Federal Environmental Agency.

VILLEROY & BOCH APP


THE VILLEROY & BOCH APP




CURRENT DELIVERY INFORMATION AND PRICES




CONFIGURATOR BRINGS CUSTOMERS' WISHES TO LIFE







DATA SHEETS AND INSTALLATION INSTRUCTIONS



PRODUCT SUGGESTIONS TO BOOST SALES





SAMPLE FOLDER CREATED AUTOMATICALLY



OPTIONAL OFFLINE MODE

THE SMART TOOL FOR PLANNING AND CONSULTATION

Now you have the full information on Villeroy & Boch bathrooms at your fingertips. A glance at your smartphone, tablet or PC is all it takes to find current dimensions and prices while you're out and about or to configure model variants and check availability while advising customers.


For smartphone, tablet and PC.
Find out more: pro.villeroy-boch.com/villeroybochapp

SANITARYWARE & BATHROOM FURNITURE

ARCHITECTURA

- Sanitaryware and Bathroom Furniture
- Matching furniture programme Architectura
 - Designed to match all mirror and mirror cabinet collections
 - Matching taps programme Architectura
 - Matching wellness programme Architectura
 - New wall-mounted toilets with TwistFlush[e²] technology

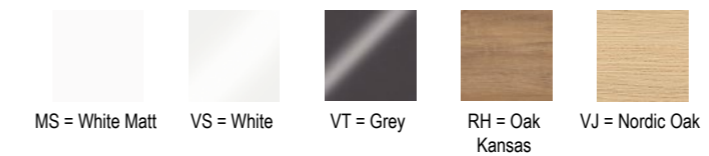
PRO.VILLEROY-BOCH.COM/TECHNICALDRAWINGS



Ceramic colours



Front- / Body colours

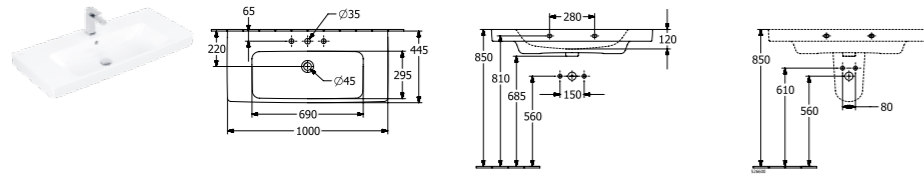


ARCHITECTURA

GBP excl. VAT

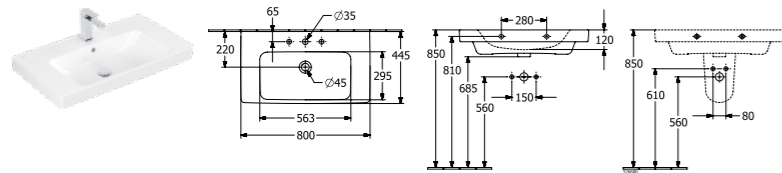
Registered design
Please order tap fittings separately

WASHBASIN



Article number	Description	01	plus R1	plus T2		pcs/ pal.	kg/ pc.
4A87 A5 XX	1000 x 445 mm	637,-	734,-	-	-	8	28,9
4A87 A2 XX	1000 x 445 mm	637,-	734,-	-	-	8	28,9
4A87 A6 XX	1000 x 445 mm	704,-	799,-	-	-	8	28,9
4A87 A3 XX	1000 x 445 mm	704,-	799,-	-	-	8	28,9
wall-mounted, central basin, matching furniture programme: Architectura For further information about matching valves, see pages 106-107 Please note: unclosable outlet valve must be used with models without overflow							
5266 00 XX	TRAP COVER fastening set included	112,-	207,-	-	-	40	8,4
9221 49 00	WASHBASIN INSTALLATION ELEMENT 525 x 1120 x 75 mm For further ViConnect models, see pages 92-105	-	-	-	226,-	10	8,1

WASHBASIN



Article number	Description	01	plus R1	plus T2		pcs/ pal.	kg/ pc.
4A87 80 XX	800 x 445 mm	496,-	591,-	-	-	12	24,3
4A87 81 XX	800 x 445 mm	496,-	591,-	-	-	12	24,3
4A87 82 XX	800 x 445 mm	562,-	658,-	-	-	12	24,3
4A87 83 XX	800 x 445 mm	562,-	658,-	-	-	12	24,3
wall-mounted, central basin, matching furniture programme: Architectura For further information about matching valves, see pages 106-107 Please note: unclosable outlet valve must be used with models without overflow							
5266 00 XX	TRAP COVER fastening set included	112,-	207,-	-	-	40	8,4
9221 49 00	WASHBASIN INSTALLATION ELEMENT 525 x 1120 x 75 mm For further ViConnect models, see pages 92-105	-	-	-	226,-	10	8,1

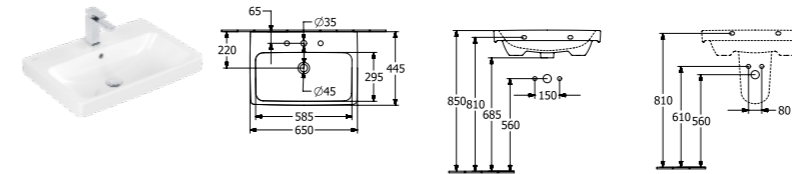
XX = Colour code to be indicated
01 = White Alpin, R1 = White Alpin CeramicPlus, T2 = White Alpin AntiBac CeramicPlus

ARCHITECTURA

GBP excl. VAT

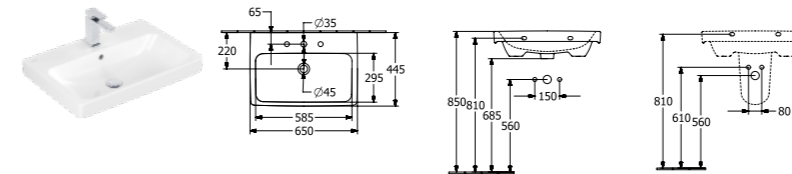
Registered design
Please order tap fittings separately

WASHBASIN



Article number	Description	01	plus R1	plus T2		pcs/ pal.	kg/ pc.
4A87 65 XX	650 x 445 mm	240,-	337,-	405,-	-	16	19,2
4A87 66 XX	650 x 445 mm	240,-	337,-	405,-	-	16	19,2
4A87 67 XX	650 x 445 mm	307,-	403,-	472,-	-	16	19,2
4A87 68 XX	650 x 445 mm	307,-	403,-	472,-	-	16	19,2
wall-mounted, central basin, matching furniture programme: Architectura For further information about matching valves, see pages 106-107 Please note: unclosable outlet valve must be used with models without overflow							
5266 00 XX	TRAP COVER fastening set included	112,-	207,-	-	-	40	8,4
9221 49 00	WASHBASIN INSTALLATION ELEMENT 525 x 1120 x 75 mm For further ViConnect models, see pages 92-105	-	-	-	226,-	10	8,1

WASHBASIN



Article number	Description	01	plus R1	plus T2		pcs/ pal.	kg/ pc.
4A87 KG XX	650 x 445 mm	279,-	376,-	443,-	-	16	19,2
4A87 KL XX	650 x 445 mm	279,-	376,-	443,-	-	16	19,2
4A87 KJ XX	650 x 445 mm	347,-	442,-	511,-	-	16	19,2
4A87 KF XX	650 x 445 mm	347,-	442,-	511,-	-	16	19,2
wall-mounted, ground underside, central basin, matching furniture programme: Architectura For further information about matching valves, see pages 106-107 Please note: unclosable outlet valve must be used with models without overflow							
5266 00 XX	TRAP COVER fastening set included	112,-	207,-	-	-	40	8,4
9221 49 00	WASHBASIN INSTALLATION ELEMENT 525 x 1120 x 75 mm For further ViConnect models, see pages 92-105	-	-	-	226,-	10	8,1

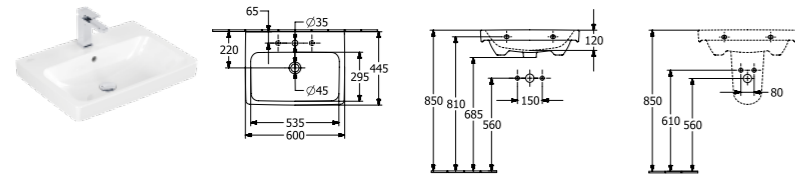
XX = Colour code to be indicated
01 = White Alpin, R1 = White Alpin CeramicPlus, T2 = White Alpin AntiBac CeramicPlus

ARCHITECTURA

GBP excl. VAT

Registered design
Please order tap fittings separately

WASHBASIN

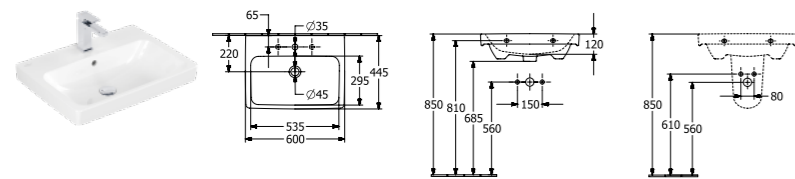


Article number	Description		01	plus R1	plus T2		pcs/ pal.	kg/ pc.
4A87 60 XX	600 x 445 mm	AntiBac	205,-	302,-	370,-	-	16	17,8
4A87 61 XX	600 x 445 mm	AntiBac	205,-	302,-	370,-	-	16	17,8
4A87 62 XX	600 x 445 mm	AntiBac	272,-	367,-	436,-	-	16	17,8
4A87 63 XX	600 x 445 mm	AntiBac	272,-	367,-	436,-	-	16	17,8

wall-mounted, central basin, matching furniture programme: Architectura
For further information about matching valves, see pages 106-107
Please note: unclosable outlet valve must be used with models without overflow

5266 00 XX	TRAP COVER fastening set included		112,-	207,-	-	-	40	8,4
9221 49 00	WASHBASIN INSTALLATION ELEMENT 525 x 1120 x 75 mm For further ViConnect models, see pages 92-105		-	-	-	226,-	10	8,1

WASHBASIN



Article number	Description		01	plus R1	plus T2		pcs/ pal.	kg/ pc.
4A87 6G XX	600 x 445 mm	AntiBac	244,-	340,-	408,-	-	16	17,8
4A87 6L XX	600 x 445 mm	AntiBac	244,-	340,-	408,-	-	16	17,8
4A87 6J XX	600 x 445 mm	AntiBac	311,-	407,-	476,-	-	16	17,8
4A87 6F XX	600 x 445 mm	AntiBac	311,-	407,-	476,-	-	16	17,8

wall-mounted, ground underside, central basin, matching furniture programme: Architectura
For further information about matching valves, see pages 106-107
Please note: unclosable outlet valve must be used with models without overflow

5266 00 XX	TRAP COVER fastening set included		112,-	207,-	-	-	40	8,4
9221 49 00	WASHBASIN INSTALLATION ELEMENT 525 x 1120 x 75 mm For further ViConnect models, see pages 92-105		-	-	-	226,-	10	8,1

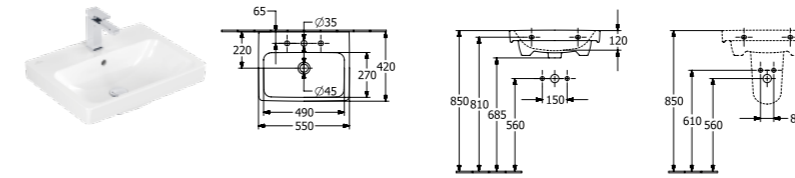
XX = Colour code to be indicated
01 = White Alpin, R1 = White Alpin CeramicPlus, T2 = White Alpin AntiBac CeramicPlus

ARCHITECTURA

GBP excl. VAT

Registered design
Please order tap fittings separately

WASHBASIN

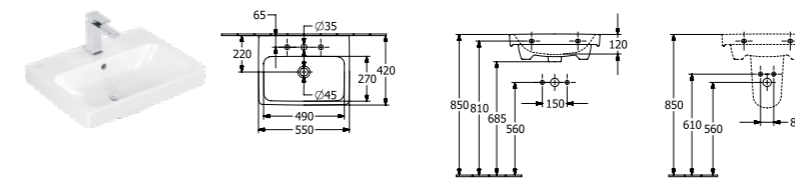


Article number	Description		01	plus R1	plus T2		pcs/ pal.	kg/ pc.
4A87 55 XX	550 x 420 mm	AntiBac	163,-	260,-	328,-	-	18	16,1
4A87 56 XX	550 x 420 mm	AntiBac	163,-	260,-	328,-	-	18	16,1
4A87 57 XX	550 x 420 mm	AntiBac	230,-	326,-	394,-	-	18	16,1
4A87 58 XX	550 x 420 mm	AntiBac	230,-	326,-	394,-	-	18	16,1

wall-mounted, central basin, matching furniture programme: Architectura
For further information about matching valves, see pages 106-107
Please note: unclosable outlet valve must be used with models without overflow

5266 00 XX	TRAP COVER fastening set included		112,-	207,-	-	-	40	8,4
9221 49 00	WASHBASIN INSTALLATION ELEMENT 525 x 1120 x 75 mm For further ViConnect models, see pages 92-105		-	-	-	226,-	10	8,1

WASHBASIN



Article number	Description		01	plus R1	plus T2		pcs/ pal.	kg/ pc.
4A87 MG XX	550 x 420 mm	AntiBac	202,-	299,-	366,-	-	18	16,1
4A87 ML XX	550 x 420 mm	AntiBac	202,-	299,-	366,-	-	18	16,1
4A87 MJ XX	550 x 420 mm	AntiBac	270,-	365,-	434,-	-	18	16,1
4A87 MF XX	550 x 420 mm	AntiBac	270,-	365,-	434,-	-	18	16,1

wall-mounted, ground underside, central basin, matching furniture programme: Architectura
For further information about matching valves, see pages 106-107
Please note: unclosable outlet valve must be used with models without overflow

5266 00 XX	TRAP COVER fastening set included		112,-	207,-	-	-	40	8,4
9221 49 00	WASHBASIN INSTALLATION ELEMENT 525 x 1120 x 75 mm For further ViConnect models, see pages 92-105		-	-	-	226,-	10	8,1

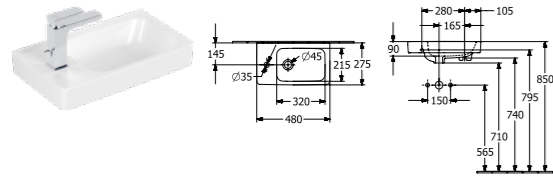
XX = Colour code to be indicated
01 = White Alpin, R1 = White Alpin CeramicPlus, T2 = White Alpin AntiBac CeramicPlus

ARCHITECTURA

GBP excl. VAT

Registered design
Please order tap fittings separately

HANDWASHBASIN

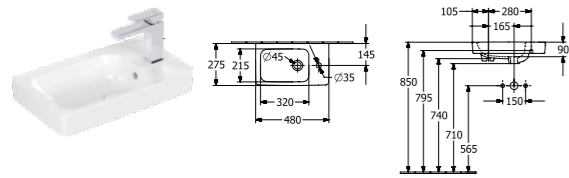


Article number	Description	01	plus R1	plus T2	pcs/ pal.	kg/ pc.
4385 48 XX	480 x 275 mm	114,-	210,-	-	48	8,6
4385 49 XX	480 x 275 mm	114,-	210,-	-	48	8,6

wall-mounted, basin right, no 3-hole tap fitting possible, matching furniture programme: Architectura
For further information about matching valves, see pages 106-107

Please note: unclosable outlet valve must be used with models without overflow

HANDWASHBASIN

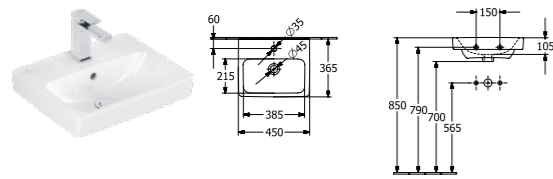


Article number	Description	01	plus R1	plus T2	pcs/ pal.	kg/ pc.
4386 48 XX	480 x 275 mm	114,-	210,-	-	48	8,6
4386 49 XX	480 x 275 mm	114,-	210,-	-	48	8,6

wall-mounted, basin left, no 3-hole tap fitting possible, matching furniture programme: Architectura
For further information about matching valves, see pages 106-107

Please note: unclosable outlet valve must be used with models without overflow

HANDWASHBASIN



Article number	Description	01	plus R1	plus T2	pcs/ pal.	kg/ pc.
4387 45 XX	450 x 365 mm	123,-	219,-	-	24	12,3
4387 46 XX	450 x 365 mm	123,-	219,-	-	24	12,3

wall-mounted, central basin, no 3-hole tap fitting possible, matching furniture programme: Architectura
For further information about matching valves, see pages 106-107

Please note: unclosable outlet valve must be used with models without overflow

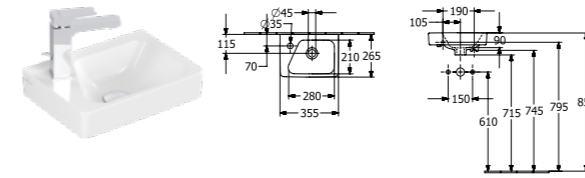
XX = Colour code to be indicated
01 = White Alpin, R1 = White Alpin CeramicPlus, T2 = White Alpin AntiBac CeramicPlus

ARCHITECTURA

GBP excl. VAT

Registered design
Please order tap fittings separately

HANDWASHBASIN

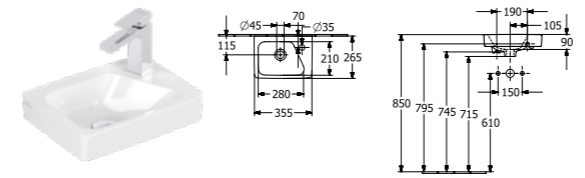


Article number	Description	01	plus R1	plus T2	pcs/ pal.	kg/ pc.
4385 36 XX	360 x 265 mm	110,-	206,-	-	48	6,6
4385 37 XX	360 x 265 mm	110,-	206,-	-	48	6,6

wall-mounted, basin right, no 3-hole tap fitting possible, matching furniture programme: Architectura
For further information about matching valves, see pages 106-107

Please note: unclosable outlet valve must be used with models without overflow

HANDWASHBASIN

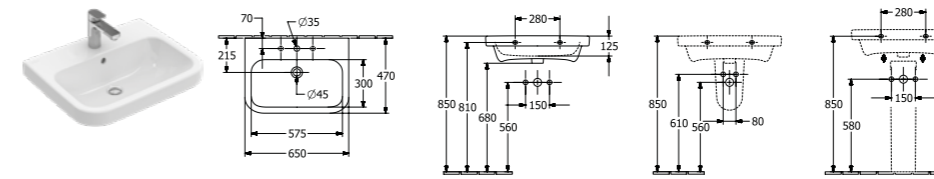


Article number	Description	01	plus R1	plus T2	pcs/ pal.	kg/ pc.
4386 36 XX	360 x 265 mm	110,-	206,-	-	48	6,6
4386 37 XX	360 x 265 mm	110,-	206,-	-	48	6,6

wall-mounted, basin left, no 3-hole tap fitting possible, matching furniture programme: Architectura
For further information about matching valves, see pages 106-107

Please note: unclosable outlet valve must be used with models without overflow

WASHBASIN



Article number	Description	01	plus R1	plus T2	pcs/ pal.	kg/ pc.
4188 65 XX	650 x 470 mm	307,-	403,-	-	14	20,3
4188 66 XX	650 x 470 mm	307,-	403,-	-	14	20,3

wall-mounted

For further information about matching valves, see pages 106-107

Please note: unclosable outlet valve must be used with models without overflow

5265 00 XX	PEDESTAL	94,-	190,-	-	-	56	7,9
7264 60 XX	TRAP COVER cannot be combined with 3-hole tap fittings, incl. fastening set "SmartFix"	SmartFix 163,-	-	-	-	45	7,1
9221 49 00	WASHBASIN INSTALLATION ELEMENT 525 x 1120 x 75 mm For further ViConnect models, see pages 92-105	-	-	-	226,-	10	8,1

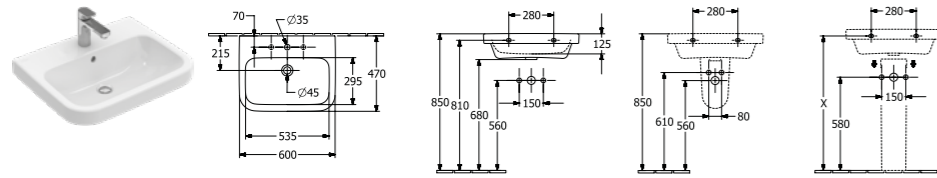
XX = Colour code to be indicated
01 = White Alpin, R1 = White Alpin CeramicPlus, T2 = White Alpin AntiBac CeramicPlus

ARCHITECTURA

GBP excl. VAT

Registered design
Please order tap fittings separately

WASHBASIN

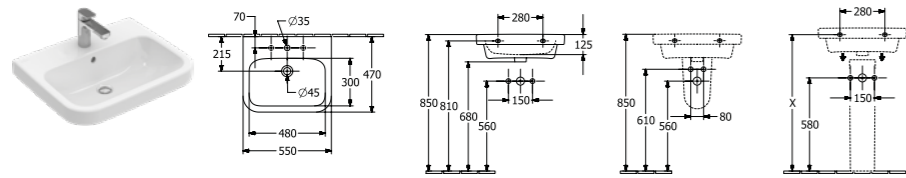


Article number	Description	01	plus R1	plus T2	pcs/ pal.	kg/ pc.
4188 60 XX	600 x 470 mm	205,-	302,-	-	16	19,5
4188 61 XX	600 x 470 mm	205,-	302,-	-	16	19,5

wall-mounted
For further information about matching valves, see pages 106-107
Please note: unclosable outlet valve must be used with models without overflow

5265 00 XX	PEDESTAL	94,-	190,-	-	56	7,9
7264 60 XX	TRAP COVER cannot be combined with 3-hole tap fittings, incl. fastening set "SmartFix"	163,-	-	-	45	7,1
9221 49 00	WASHBASIN INSTALLATION ELEMENT 525 x 1120 x 75 mm For further ViConnect models, see pages 92-105	-	-	-	226,-	10 8,1

WASHBASIN

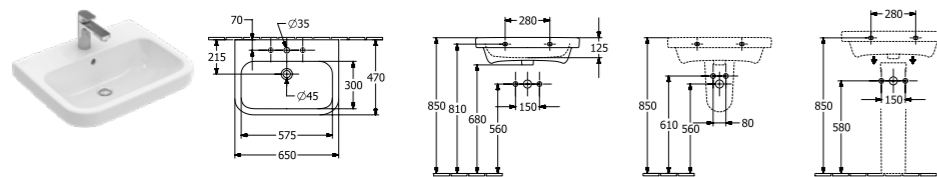


Article number	Description	01	plus R1	plus T2	pcs/ pal.	kg/ pc.
4188 55 XX	550 x 470 mm	163,-	259,-	-	16	18,7
4188 56 XX	550 x 470 mm	163,-	259,-	-	16	18,7

wall-mounted
For further information about matching valves, see pages 106-107
Please note: unclosable outlet valve must be used with models without overflow

5265 00 XX	PEDESTAL	94,-	190,-	-	56	7,9
7264 60 XX	TRAP COVER cannot be combined with 3-hole tap fittings, incl. fastening set "SmartFix"	163,-	-	-	45	7,1
9221 49 00	WASHBASIN INSTALLATION ELEMENT 525 x 1120 x 75 mm For further ViConnect models, see pages 92-105	-	-	-	226,-	10 8,1

WASHBASIN



Article number	Description	01	plus R1	plus T2	pcs/ pal.	kg/ pc.
4188 KG XX	650 x 470 mm	346,-	441,-	-	10	20,3

wall-mounted, ground underside, incl. template
For further information about matching valves, see pages 106-107

9221 49 00	WASHBASIN INSTALLATION ELEMENT 525 x 1120 x 75 mm For further ViConnect models, see pages 92-105	-	-	-	226,-	10 8,1
------------	--	---	---	---	-------	--------

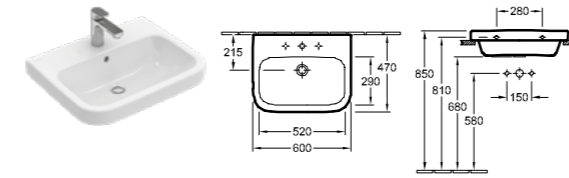
XX = Colour code to be indicated
01 = White Alpin, R1 = White Alpin CeramicPlus, T2 = White Alpin AntiBac CeramicPlus

ARCHITECTURA

GBP excl. VAT

Registered design
Please order tap fittings separately

WASHBASIN

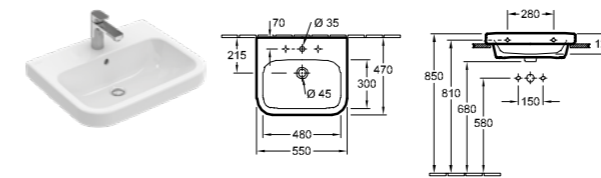


Article number	Description	01	plus R1	plus T2	pcs/ pal.	kg/ pc.
4188 6G XX	600 x 470 mm	244,-	340,-	-	10	19,5

wall-mounted, ground underside, incl. template
For further information about matching valves, see pages 106-107

9221 49 00	WASHBASIN INSTALLATION ELEMENT 525 x 1120 x 75 mm For further ViConnect models, see pages 92-105	-	-	-	226,-	10 8,1
------------	--	---	---	---	-------	--------

WASHBASIN

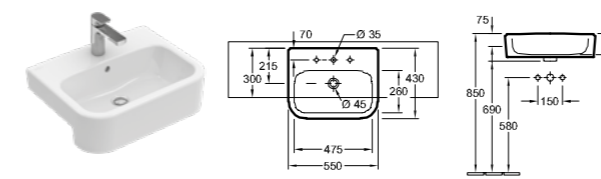


Article number	Description	01	plus R1	plus T2	pcs/ pal.	kg/ pc.
4188 5G XX	550 x 470 mm	202,-	298,-	-	14	18,7

wall-mounted, ground underside, incl. template
For further information about matching valves, see pages 106-107

9221 49 00	WASHBASIN INSTALLATION ELEMENT 525 x 1120 x 75 mm For further ViConnect models, see pages 92-105	-	-	-	226,-	10 8,1
------------	--	---	---	---	-------	--------

SEMI-RECESSED WASHBASIN



Article number	Description	01	plus R1	plus T2	pcs/ pal.	kg/ pc.
4190 55 XX	550 x 430 mm	258,-	353,-	-	10	16,5
4190 56 XX	550 x 430 mm	258,-	353,-	-	10	16,5

Semi-recessed
For further information about matching valves, see pages 106-107
Please note: unclosable outlet valve must be used with models without overflow

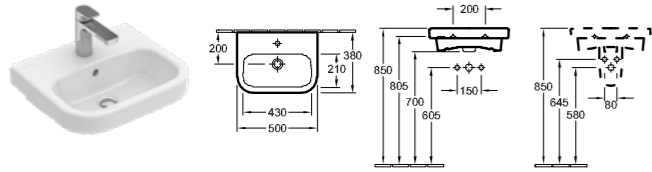
XX = Colour code to be indicated
01 = White Alpin, R1 = White Alpin CeramicPlus, T2 = White Alpin AntiBac CeramicPlus

ARCHITECTURA

GBP excl. VAT

Registered design
Please order tap fittings separately

HANDWASHBASIN

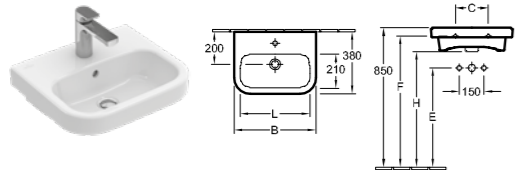


Article number	Description	01	plus R1	plus T2		pcs/ pal.	kg/ pc.
4373 50 XX	500 x 380 mm	163,-	259,-	-	-	24	12,9
4373 51 XX	500 x 380 mm	163,-	259,-	-	-	24	12,9

wall-mounted
For further information about matching valves, see pages 106-107
Please note: unclosable outlet valve must be used with models without overflow

7264 60 XX	TRAP COVER cannot be combined with 3-hole tap fittings, incl. fastening set "SmartFix"	SmartFix	163,-	-	-	-	45	7,1
9221 49 00	WASHBASIN INSTALLATION ELEMENT 525 x 1120 x 75 mm For further ViConnect models, see pages 92-105		-	-	-	226,-	10	8,1

HANDWASHBASIN

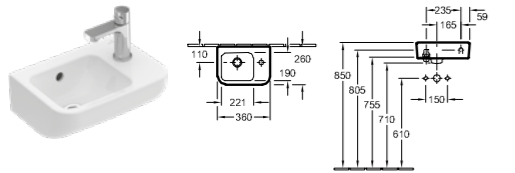


Article number	Description	01	plus R1	plus T2		pcs/ pal.	kg/ pc.
4373 45 XX	450 x 380 mm	123,-	218,-	-	-	24	12
4373 46 XX	450 x 380 mm	123,-	218,-	-	-	24	12

wall-mounted
For further information about matching valves, see pages 106-107
Please note: unclosable outlet valve must be used with models without overflow

9221 49 00	WASHBASIN INSTALLATION ELEMENT 525 x 1120 x 75 mm For further ViConnect models, see pages 92-105		-	-	-	226,-	10	8,1
------------	--	--	---	---	---	-------	----	-----

HANDWASHBASIN



Article number	Description	01	plus R1	plus T2		pcs/ pal.	kg/ pc.
4373 36 XX	360 x 260 mm suitable for 1-hole tap fittings, tap hole punched out on right	134,-	230,-	-	-	48	7
4373 37 XX	360 x 260 mm suitable for 1-hole tap fittings, tap hole punched out on right	134,-	230,-	-	-	48	7

wall-mounted, fastening set included
For further information about matching valves, see pages 106-107
Please note: unclosable outlet valve must be used with models without overflow

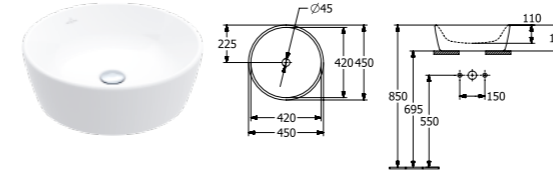
XX = Colour code to be indicated
01 = White Alpin, R1 = White Alpin CeramicPlus, T2 = White Alpin AntiBac CeramicPlus

ARCHITECTURA

GBP excl. VAT

Registered design
Please order tap fittings separately

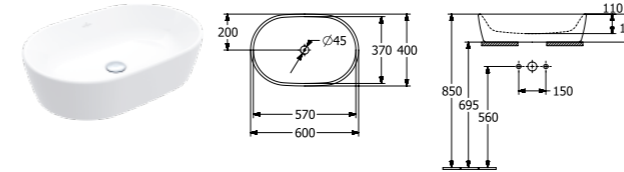
SURFACE-MOUNTED WASHBASIN



Article number	Description	01	plus R1	plus T2		pcs/ pal.	kg/ pc.
5A25 45 XX	450 mm Diameter for wall-mounted washbasin mixers or tall pillar tap fittings, without tap hole area	328,-	423,-	-	-	14	12,3
5A25 46 XX	450 mm Diameter for wall-mounted washbasin mixers or tall pillar tap fittings, without tap hole area	328,-	423,-	-	-	14	12,3

Surface-mounted, incl. fixation set with cutout template, matching furniture programme: Collaro
For further information about matching valves, see pages 106-107
Please note: unclosable outlet valve must be used with models without overflow

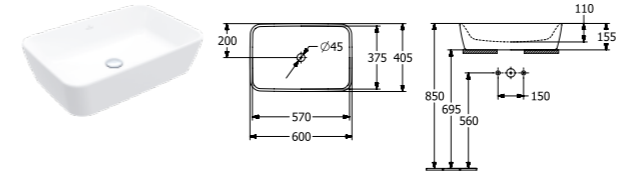
SURFACE-MOUNTED WASHBASIN



Article number	Description	01	plus R1	plus T2		pcs/ pal.	kg/ pc.
5A26 60 XX	600 x 400 mm for wall-mounted washbasin mixers or tall pillar tap fittings, without tap hole area	383,-	479,-	-	-	10	14
5A26 61 XX	600 x 400 mm for wall-mounted washbasin mixers or tall pillar tap fittings, without tap hole area	383,-	479,-	-	-	10	14

Surface-mounted, incl. fixation set with cutout template, matching furniture programme: Collaro
For further information about matching valves, see pages 106-107
Please note: unclosable outlet valve must be used with models without overflow

SURFACE-MOUNTED WASHBASIN



Article number	Description	01	plus R1	plus T2		pcs/ pal.	kg/ pc.
5A27 60 XX	600 x 405 mm for wall-mounted washbasin mixers or tall pillar tap fittings, without tap hole area	383,-	479,-	-	-	10	16,5
5A27 61 XX	600 x 405 mm for wall-mounted washbasin mixers or tall pillar tap fittings, without tap hole area	383,-	479,-	-	-	10	16,5

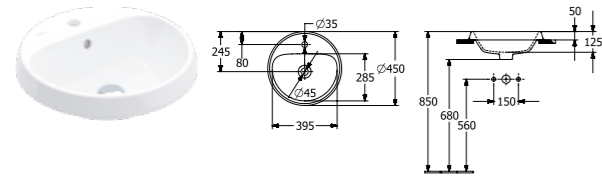
Surface-mounted, incl. fixation set with cutout template, matching furniture programme: Collaro
For further information about matching valves, see pages 106-107
Please note: unclosable outlet valve must be used with models without overflow

XX = Colour code to be indicated
01 = White Alpin, R1 = White Alpin CeramicPlus, T2 = White Alpin AntiBac CeramicPlus

ARCHITECTURA

Registered design
Please order tap fittings separately

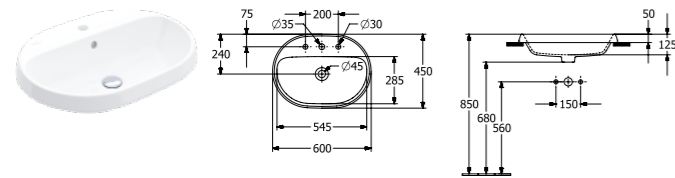
BUILT-IN WASHBASIN



Article number	Description	01	plus R1	plus T2		pcs/ pal.	kg/ pc.
5A65 45 XX	450 mm Diameter	321,-	417,-	-	-	14	8,1
5A65 46 XX	450 mm Diameter	321,-	417,-	-	-	14	8,1

built-in installation, underside unglazed, incl. template
For further information about matching valves, see pages 106-107
Please note: unclosable outlet valve must be used with models without overflow

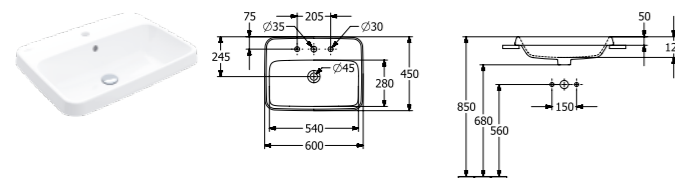
BUILT-IN WASHBASIN



Article number	Description	01	plus R1	plus T2		pcs/ pal.	kg/ pc.
5A66 60 XX	600 x 450 mm	379,-	474,-	-	-	10	11
5A66 61 XX	600 x 450 mm	379,-	474,-	-	-	10	11

built-in installation, underside unglazed, incl. template
For further information about matching valves, see pages 106-107
Please note: unclosable outlet valve must be used with models without overflow

BUILT-IN WASHBASIN



Article number	Description	01	plus R1	plus T2		pcs/ pal.	kg/ pc.
5A67 60 XX	600 x 450 mm	379,-	474,-	-	-	10	12
5A67 61 XX	600 x 450 mm	379,-	474,-	-	-	10	12

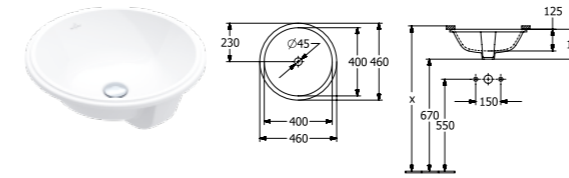
built-in installation, underside unglazed, incl. template
For further information about matching valves, see pages 106-107
Please note: unclosable outlet valve must be used with models without overflow

XX = Colour code to be indicated
01 = White Alpin, R1 = White Alpin CeramicPlus, T2 = White Alpin AntiBac CeramicPlus

ARCHITECTURA

Registered design
Please order tap fittings separately

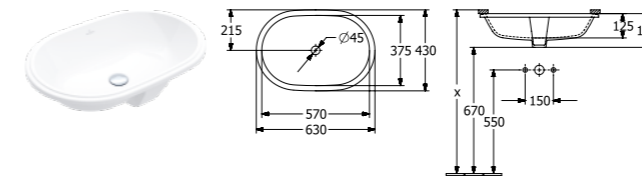
UNDERCOUNTER WASHBASIN



Article number	Description	01	plus R1	plus T2		pcs/ pal.	kg/ pc.
5A75 45 XX	400 mm Diameter without tap hole area	321,-	417,-	-	-	10	8
5A75 46 XX	400 mm Diameter without tap hole area	321,-	417,-	-	-	10	8

Undercounter, outside surface not glazed, incl. fixation set with cutout template
For further information about matching valves, see pages 106-107
Please note: unclosable outlet valve must be used with models without overflow

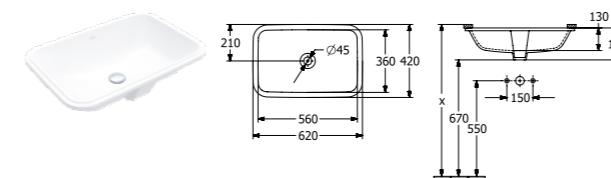
UNDERCOUNTER WASHBASIN



Article number	Description	01	plus R1	plus T2		pcs/ pal.	kg/ pc.
5A76 60 XX	570 x 375 mm without tap hole area	364,-	460,-	-	-	10	9
5A76 61 XX	570 x 375 mm without tap hole area	364,-	460,-	-	-	10	9

Undercounter, outside surface not glazed, incl. fixation set with cutout template
For further information about matching valves, see pages 106-107
Please note: unclosable outlet valve must be used with models without overflow

UNDERCOUNTER WASHBASIN



Article number	Description	01	plus R1	plus T2		pcs/ pal.	kg/ pc.
5A77 60 XX	570 x 370 mm without tap hole area	364,-	460,-	-	-	10	10
5A77 61 XX	570 x 370 mm without tap hole area	364,-	460,-	-	-	10	10

Undercounter, outside surface not glazed, incl. fixation set with cutout template
For further information about matching valves, see pages 106-107
Please note: unclosable outlet valve must be used with models without overflow

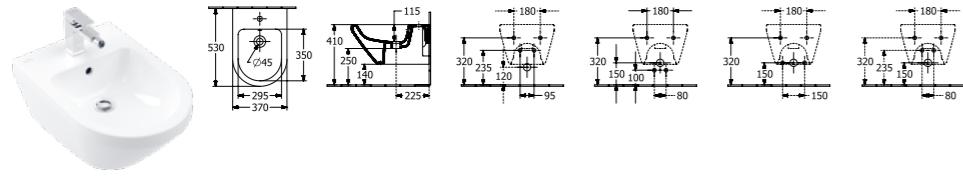
XX = Colour code to be indicated
01 = White Alpin, R1 = White Alpin CeramicPlus, T2 = White Alpin AntiBac CeramicPlus

ARCHITECTURA

GBP excl. VAT

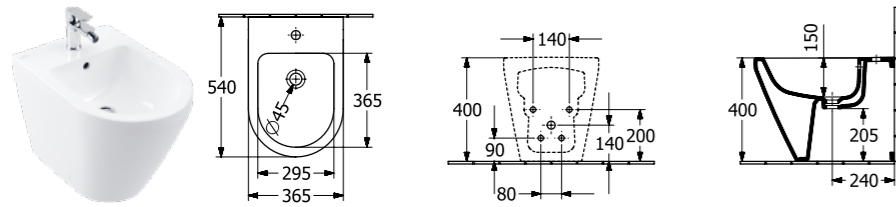
Registered design
Please order tap fittings separately

BIDET



Article number	Description	01	plus R1	plus T2		pcs/ pal.	kg/ pc.
7487 00 XX	370 x 270 x 530 mm	509,-	605,-	-	-	16	19,3
wall-mounted, with fastening set for concealed fastening For further information about matching valves, see pages 106-107							
9221 48 00	BIDET INSTALLATION SYSTEM 525 x 1120 x 100 mm For further ViConnect models, see pages 92-105	-	-	-	-	341,-	10 10,5

BIDET



Article number	Description	01	plus R1	plus T2		pcs/ pal.	kg/ pc.
7428 00 XX	365 x 540 mm	NEW 509,-	605,-	-	-	8	
floor-standing, back to wall							
9221 48 00	BIDET INSTALLATION SYSTEM 525 x 1120 x 100 mm For further ViConnect models, see pages 92-105	-	-	-	-	341,-	10 10,5

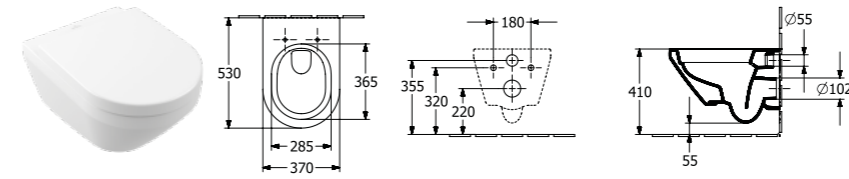
XX = Colour code to be indicated
01 = White Alpin, R1 = White Alpin CeramicPlus, T2 = White Alpin AntiBac CeramicPlus

ARCHITECTURA

GBP excl. VAT

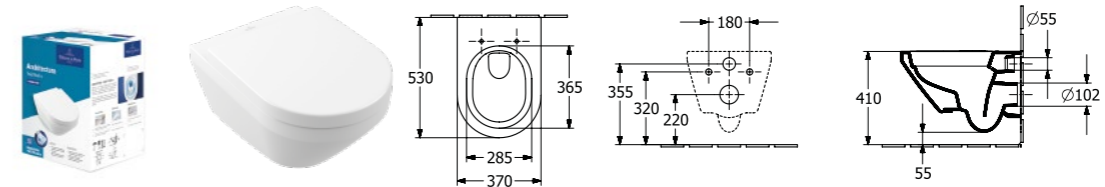
Registered design
Please order tap fittings separately

WASHDOWN TOILET, RIMLESS TwistFlush



Article number	Description	01	plus R1	plus T2		pcs/ pal.	kg/ pc.
4694 C0 XX	370 x 530 mm	332,-	429,-	498,-	-	14	21
wall-mounted, horizontal outlet, The "ViFix" fastening set is pre-fitted, projection: 530 mm, seat height: 410 mm, with water-saving AQUAREDUCT® system: flush volume 3 / 4,5 litres, not suitable for installation with flush valves							
98M9 C1 01	TOILET SEAT AND COVER with QuickRelease and SoftClosing hinges, hinges in stainless steel	135,-	-	-	-	72	2,6
98M9 D1 01	TOILET SEAT AND COVER hinges in stainless steel	101,-	-	-	-	90	2,6
8M70 S1 01	TOILET SEAT AND COVER with QuickRelease and SoftClosing hinges, hinges in stainless steel	135,-	-	-	-	90	3
8M70 61 01	TOILET SEAT AND COVER hinges in stainless steel	101,-	-	-	-	90	3
9M70 S1 01	TOILET SEAT AND COVER SLIMSEAT with QuickRelease and SoftClosing hinges, hinges in stainless steel	180,-	-	-	-	90	3
9M70 61 01	TOILET SEAT AND COVER SLIMSEAT hinges in stainless steel	170,-	-	-	-	90	3
9222 87 00	VIPROTECT SOUNDPROOFING SET (optional) incl. accessories	-	-	-	-	26,-	600 0,1
9209 29 00	TOILET INSTALLATION SYSTEM for dry-wall construction, standard height 1120 mm, front operated 525 x 1120 x 135 mm For further ViConnect models, see pages 92-105	-	-	-	-	403,-	10 15,5

COMBI-PACK TwistFlush



Article number	Description	01	plus R1	plus T2		pcs/ pal.	kg/ pc.
4694 CL XX	individual packaging materials, wall-mounted, horizontal outlet composed of: Washdown WC TwistFlush[e ³] 4694 C0 XX, WC-seat and cover with QuickRelease and SoftClosing hinges 98M9 C1 01, The "ViFix" fastening set is pre-fitted	559,-	656,-	-	-	12	21

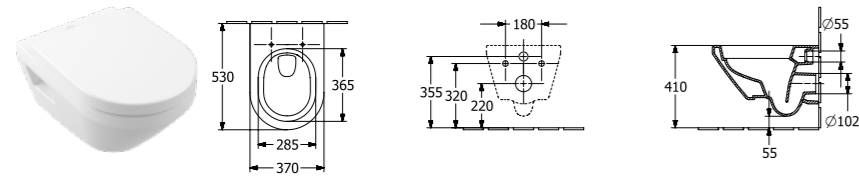
XX = Colour code to be indicated
01 = White Alpin, R1 = White Alpin CeramicPlus, T2 = White Alpin AntiBac CeramicPlus

ARCHITECTURA

GBP excl. VAT

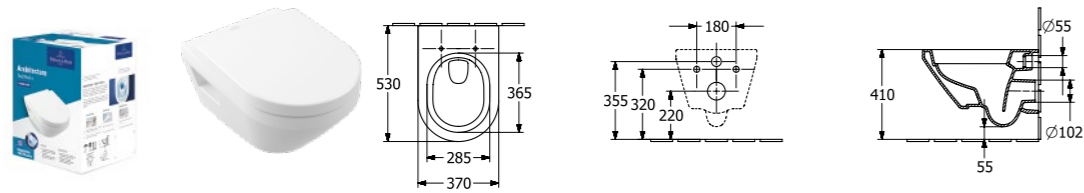
Registered design
Please order tap fittings separately

WASHDOWN TOILET, RIMLESS TwistFlush



Article number	Description	01	plus R1	plus T2		pcs/ pal.	kg/ pc.
5684 C0 XX	370 x 530 mm	293,-	388,-	457,-	-	14	21
wall-mounted, horizontal outlet, with water-saving AQUAREDUCT® system: flush volume 3 / 4,5 litres, not suitable for installation with flush valves							
98M9 C1 01	TOILET SEAT AND COVER with QuickRelease and SoftClosing hinges, hinges in stainless steel	135,-	-	-	-	72	2,6
98M9 D1 01	TOILET SEAT AND COVER hinges in stainless steel	101,-	-	-	-	90	2,6
8M70 S1 01	TOILET SEAT AND COVER with QuickRelease and SoftClosing hinges, hinges in stainless steel	135,-	-	-	-	90	3
8M70 61 01	TOILET SEAT AND COVER hinges in stainless steel	101,-	-	-	-	90	3
9M70 S1 01	TOILET SEAT AND COVER SLIMSEAT with QuickRelease and SoftClosing hinges, hinges in stainless steel	180,-	-	-	-	90	3
9M70 61 01	TOILET SEAT AND COVER SLIMSEAT hinges in stainless steel	170,-	-	-	-	90	3
9222 87 00	VIPROTECT SOUNDPROOFING SET (optional) incl. accessories	-	-	-	26,-	600	0,1
9209 29 00	TOILET INSTALLATION SYSTEM for dry-wall construction, standard height 1120 mm, front operated 525 x 1120 x 135 mm For further ViConnect models, see pages 92-105	-	-	-	403,-	10	15,5

COMBI-PACK TwistFlush



Article number	Description	01	plus R1	plus T2		pcs/ pal.	kg/ pc.
5684 CL XX	individual packaging materials, wall-mounted, horizontal outlet composed of: Washdown WC TwistFlush[e*] 5684 C0 XX, WC-seat and cover with QuickRelease and SoftClosing hinges 98M9 C1 01	494,-	588,-	-	-	12	21

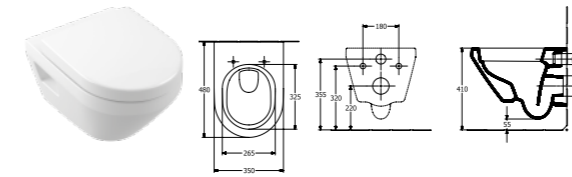
XX = Colour code to be indicated
01 = White Alpin, R1 = White Alpin CeramicPlus, T2 = White Alpin AntiBac CeramicPlus

ARCHITECTURA

GBP excl. VAT

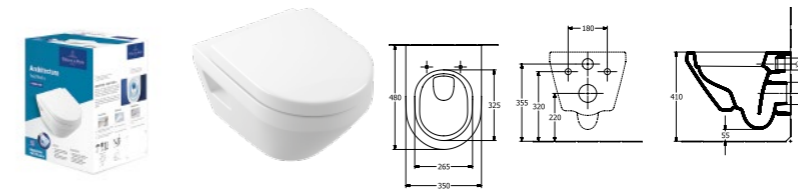
Registered design
Please order tap fittings separately

WASHDOWN TOILET COMPACT, RIMLESS TwistFlush



Article number	Description	01	plus R1	plus T2		pcs/ pal.	kg/ pc.
4687 C0 XX	350 x 480 mm	403,-	499,-	567,-	-	14	18,5
wall-mounted, horizontal outlet, with water-saving AQUAREDUCT® system: flush volume 3 / 4,5 litres, not suitable for installation with flush valves							
9M66 S2 01	TOILET SEAT AND COVER COMPACT with QuickRelease and SoftClosing hinges, hinges in stainless steel	168,-	-	-	-	90	2,7
9222 87 00	VIPROTECT SOUNDPROOFING SET (optional) incl. accessories	-	-	-	26,-	600	0,1
9209 29 00	TOILET INSTALLATION SYSTEM for dry-wall construction, standard height 1120 mm, front operated 525 x 1120 x 135 mm For further ViConnect models, see pages 92-105	-	-	-	403,-	10	15,5

COMBI-PACK TwistFlush



Article number	Description	01	plus R1	plus T2		pcs/ pal.	kg/ pc.
4687 CL XX	individual packaging materials, wall-mounted, horizontal outlet composed of: Washdown WC compact TwistFlush[e*] 4687 C0 XX, WC-seat and cover with QuickRelease and SoftClosing hinges 9M66 S2 01	525,-	621,-	-	-	12	18,5

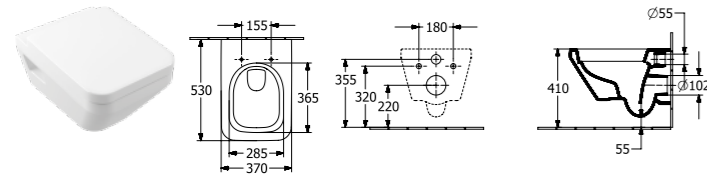
XX = Colour code to be indicated
01 = White Alpin, R1 = White Alpin CeramicPlus, T2 = White Alpin AntiBac CeramicPlus

ARCHITECTURA

GBP excl. VAT

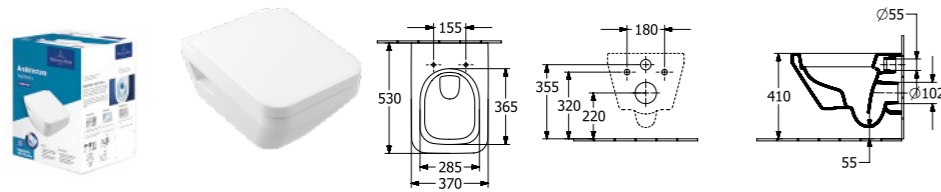
Registered design
Please order tap fittings separately

WASHDOWN TOILET, RIMLESS TwistFlush



Article number	Description	01	plus R1	plus T2		pcs/ pal.	kg/ pc.
5685 C0 XX	370 x 530 mm	316,-	411,-	481,-	-	14	21
wall-mounted, horizontal outlet, with water-saving AQUAREDUCT® system: flush volume 3 / 4,5 litres, not suitable for installation with flush valves							
9M58 S1 01	TOILET SEAT AND COVER with QuickRelease and SoftClosing hinges, hinges in stainless steel	171,-	-	-	-	72	2,7
9M60 61 01	TOILET SEAT AND COVER hinges in stainless steel	144,-	-	-	-	144	2,6
9M81 S1 01	TOILET SEAT AND COVER SLIMSEAT with QuickRelease and SoftClosing hinges, hinges in stainless steel	201,-	-	-	-	40	2,7
9222 87 00	VIPROTECT SOUNDPROOFING SET (optional) incl. accessories	-	-	-	26,-	600	0,1
9209 29 00	TOILET INSTALLATION SYSTEM for dry-wall construction, standard height 1120 mm, front operated 525 x 1120 x 135 mm For further ViConnect models, see pages 92-105	-	-	-	403,-	10	15,5

COMBI-PACK TwistFlush



Article number	Description	01	plus R1	plus T2		pcs/ pal.	kg/ pc.
5685 CL XX	individual packaging materials, wall-mounted, horizontal outlet composed of: Washdown WC TwistFlush[e*] 5685 C0 XX, WC-seat and cover with QuickRelease and SoftClosing hinges 9M58 S1 01	531,-	626,-	-	-	12	21

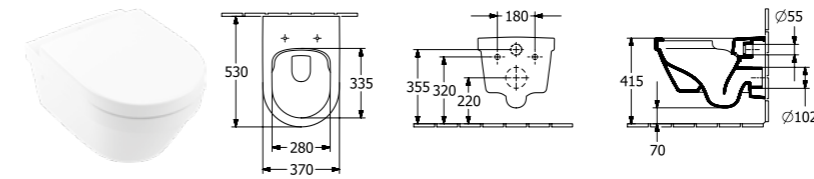
XX = Colour code to be indicated
01 = White Alpin, R1 = White Alpin CeramicPlus, T2 = White Alpin AntiBac CeramicPlus

ARCHITECTURA

GBP excl. VAT

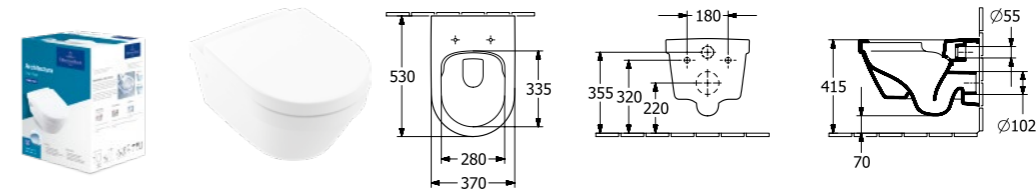
Registered design
Please order tap fittings separately

WASHDOWN TOILET, RIMLESS DirectFlush with concealed fastening



Article number	Description	01	plus R1	plus T2		pcs/ pal.	kg/ pc.
4694 R0 XX	370 x 530 mm	342,-	440,-	-	-	14	24,7
wall-mounted, horizontal outlet, fastening set included, with water-saving AQUAREDUCT® system: flush volume 3 / 4,5 litres, not suitable for installation with flush valves							
98M9 C1 01	TOILET SEAT AND COVER with QuickRelease and SoftClosing hinges, hinges in stainless steel	135,-	-	-	-	72	2,6
98M9 D1 01	TOILET SEAT AND COVER hinges in stainless steel	101,-	-	-	-	90	2,6
9M70 S1 01	TOILET SEAT AND COVER SLIMSEAT with QuickRelease and SoftClosing hinges, hinges in stainless steel	180,-	-	-	-	90	3
9M70 61 01	TOILET SEAT AND COVER SLIMSEAT hinges in stainless steel	170,-	-	-	-	90	3
9M63 61 01	SEAT with continuous hinge bolt, hinges in stainless steel	201,-	-	-	-	90	1,7
9222 87 00	VIPROTECT SOUNDPROOFING SET (optional) incl. accessories	-	-	-	26,-	600	0,1
9209 29 00	TOILET INSTALLATION SYSTEM for dry-wall construction, standard height 1120 mm, front operated 525 x 1120 x 135 mm For further ViConnect models, see pages 92-105	-	-	-	403,-	10	15,5

COMBI-PACK DirectFlush



Article number	Description	01	plus R1	plus T2		pcs/ pal.	kg/ pc.
4694 HR XX	individual packaging materials, wall-mounted, horizontal outlet composed of: Washdown WC DirectFlush 4694 R0 XX, WC-seat and cover with QuickRelease and Soft-Closing hinges 98M9 C1 01	575,-	673,-	-	-	12	24,7

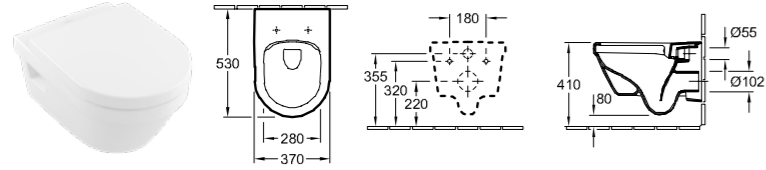
XX = Colour code to be indicated
01 = White Alpin, R1 = White Alpin CeramicPlus, T2 = White Alpin AntiBac CeramicPlus

ARCHITECTURA

GBP excl. VAT

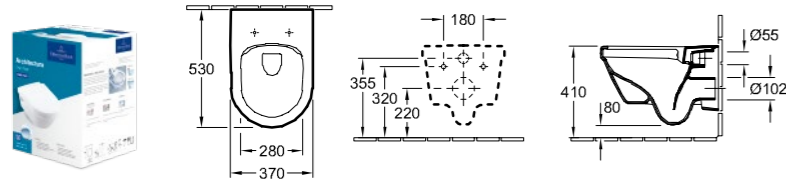
Registered design
Please order tap fittings separately

WASHDOWN TOILET, RIMLESS
previously Omnia Architectura, DirectFlush



Article number	Description	01	plus R1	plus T2		pcs/ pal.	kg/ pc.
5684 R0 XX	370 x 530 mm	301,-	398,-	469,-	-	14	20,3
wall-mounted, horizontal outlet, with water-saving AQUAREDUCT® system: flush volume 3 / 4,5 litres, not suitable for installation with flush valves							
98M9 C1 01	TOILET SEAT AND COVER with QuickRelease and SoftClosing hinges, hinges in stainless steel	135,-	-	-	-	72	2,6
98M9 D1 01	TOILET SEAT AND COVER hinges in stainless steel	101,-	-	-	-	90	2,6
9M70 61 01	TOILET SEAT AND COVER SLIMSEAT hinges in stainless steel	170,-	-	-	-	90	3
9222 87 00	VIPROTECT SOUNDPROOFING SET (optional) incl. accessories	-	-	-	26,-	600	0,1
9209 29 00	TOILET INSTALLATION SYSTEM for dry-wall construction, standard height 1120 mm, front operated 525 x 1120 x 135 mm For further ViConnect models, see pages 92-105	-	-	-	403,-	10	15,5

COMBI-PACK
DirectFlush



Article number	Description	01	plus R1	plus T2		pcs/ pal.	kg/ pc.
5684 HR XX	individual packaging materials, wall-mounted, horizontal outlet composed of: Washdown WC DirectFlush 5684 R0 XX, WC-seat and cover with QuickRelease and Soft-Closing hinges 98M9 C1 01	507,-	604,-	-	-	12	25,1

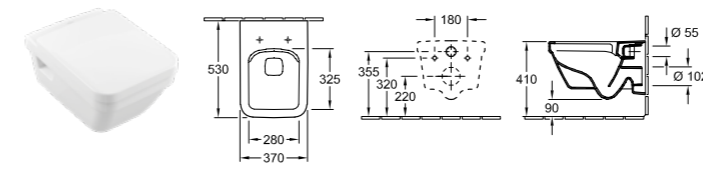
XX = Colour code to be indicated
01 = White Alpin, R1 = White Alpin CeramicPlus, T2 = White Alpin AntiBac CeramicPlus

ARCHITECTURA

GBP excl. VAT

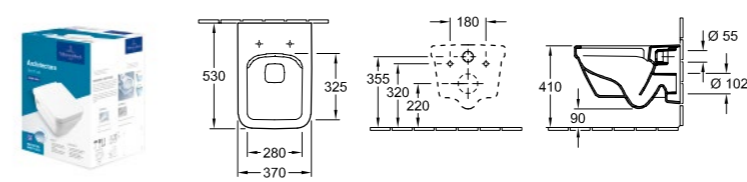
Registered design
Please order tap fittings separately

WASHDOWN TOILET, RIMLESS
DirectFlush



Article number	Description	01	plus R1	plus T2		pcs/ pal.	kg/ pc.
5685 R0 XX	370 x 530 mm	325,-	423,-	495,-	-	14	22,3
wall-mounted, horizontal outlet, with water-saving AQUAREDUCT® system: flush volume 3 / 4,5 litres, not suitable for installation with flush valves							
9M58 S1 01	TOILET SEAT AND COVER with QuickRelease and SoftClosing hinges, hinges in stainless steel	171,-	-	-	-	72	2,7
9M60 61 01	TOILET SEAT AND COVER hinges in stainless steel	144,-	-	-	-	144	2,6
9M81 S1 01	TOILET SEAT AND COVER SLIMSEAT with QuickRelease and SoftClosing hinges, hinges in stainless steel	201,-	-	-	-	40	2,7
9222 87 00	VIPROTECT SOUNDPROOFING SET (optional) incl. accessories	-	-	-	26,-	600	0,1
9209 29 00	TOILET INSTALLATION SYSTEM for dry-wall construction, standard height 1120 mm, front operated 525 x 1120 x 135 mm For further ViConnect models, see pages 92-105	-	-	-	403,-	10	15,5

COMBI-PACK
DirectFlush



Article number	Description	01	plus R1	plus T2		pcs/ pal.	kg/ pc.
5685 HR XX	individual packaging materials, wall-mounted, horizontal outlet composed of: Washdown WC DirectFlush 5685 R0 XX, WC-seat and cover with QuickRelease and Soft-Closing hinges 9M58 S1 01	546,-	-	-	-	12	22,5

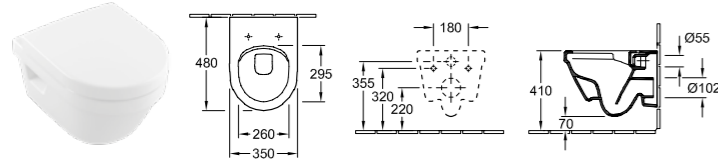
XX = Colour code to be indicated
01 = White Alpin, R1 = White Alpin CeramicPlus, T2 = White Alpin AntiBac CeramicPlus





ARCHITECTURA

GBP excl. VAT

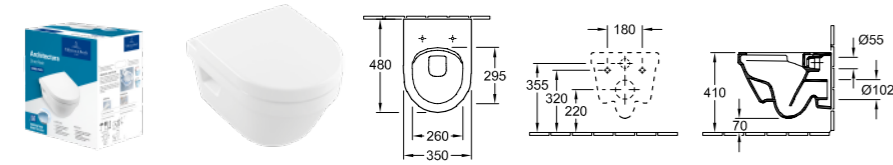
Registered design
Please order tap fittings separately



WASHDOWN TOILET COMPACT, RIMLESS DirectFlush



Article number	Description	01	plus R1	plus T2		pcs/ pal.	kg/ pc.
4687 R0 XX	350 x 480 mm  	413,-	512,-	583,-	-	14	18
wall-mounted, horizontal outlet, with water-saving AQUAREDUCT® system: flush volume 3 / 4,5 litres, not suitable for installation with flush valves							
9M66 S2 01	TOILET SEAT AND COVER COMPACT with QuickRelease and SoftClosing hinges, hinges in stainless steel	168,-	-	-	-	90	2,7
9M66 E1 01	TOILET SEAT AND COVER COMPACT hinges in stainless steel	105,-	-	-	-	90	3
9222 87 00	VIPROTECT SOUNDPROOFING SET (optional) incl. accessories	-	-	-	26,-	600	0,1
9209 29 00	TOILET INSTALLATION SYSTEM for dry-wall construction, standard height 1120 mm, front operated 525 x 1120 x 135 mm For further ViConnect models, see pages 92-105  	-	-	-	403,-	10	15,5

COMBI-PACK DirectFlush



Article number	Description	01	plus R1	plus T2		pcs/ pal.	kg/ pc.
4687 HR XX	individual packaging materials, wall-mounted, horizontal outlet composed of: Washdown WC DirectFlush 4687 R0 XX, WC-seat and cover with QuickRelease and Soft-Closing hinges 9M66 S2 01  	539,-	638,-	-	-	12	17,9

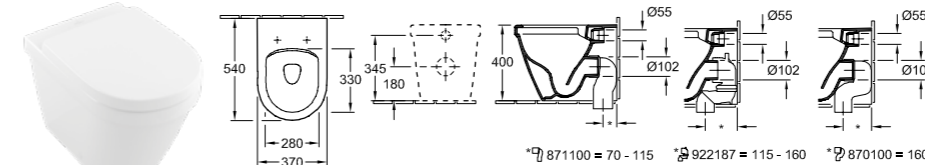
XX = Colour code to be indicated
01 = White Alpin, R1 = White Alpin CeramicPlus, T2 = White Alpin AntiBac CeramicPlus







ARCHITECTURA

GBP excl. VAT

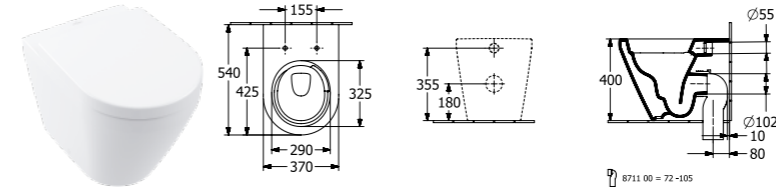
Registered design
Please order tap fittings separately





WASHDOWN TOILET, RIMLESS DirectFlush



Article number	Description	01	plus R1	plus T2		pcs/ pal.	kg/ pc.
5690 R0 XX	370 x 540 mm 	290,-	384,-	-	-	12	27,6
floor-standing, back to wall, horizontal outlet, with fastening set for concealed fastening, with water-saving AQUAREDUCT® system: flush volume 3 / 4,5 litres							
98M9 C1 01	TOILET SEAT AND COVER with QuickRelease and SoftClosing hinges, hinges in stainless steel	135,-	-	-	-	72	2,6
98M9 D1 01	TOILET SEAT AND COVER hinges in stainless steel	101,-	-	-	-	90	2,6
9M70 S1 01	TOILET SEAT AND COVER SLIMSEAT with QuickRelease and SoftClosing hinges, hinges in stainless steel 	180,-	-	-	-	90	3
9M70 61 01	TOILET SEAT AND COVER SLIMSEAT hinges in stainless steel 	170,-	-	-	-	90	3
8711 00 00	VARIO DRAINBEND for vertical outlet for installation close to the wall 70 - 115 mm 	-	-	-	139,-	100	0,7
9221 87 00	VARIO DRAINBEND for vertical outlet for installation close to the wall 115 - 160 mm 	-	-	-	178,-		2
8701 00 00	VARIO DRAINBEND for vertical outlet for installation close to the wall 160 mm 	-	-	-	139,-	100	0,7

WASHDOWN TOILET, RIMLESS TwistFlush



Article number	Description	01	plus R1	plus T2		pcs/ pal.	kg/ pc.
5C44 C0 XX	370 x 540 mm  NEW	290,-	384,-	-	-	12	
floor-standing, back to wall, horizontal outlet, with water-saving AQUAREDUCT® system: flush volume 3 / 4,5 litres, not suitable for installation with flush valves							
98M9 C1 01	TOILET SEAT AND COVER with QuickRelease and SoftClosing hinges, hinges in stainless steel	135,-	-	-	-	72	2,6
98M9 D1 01	TOILET SEAT AND COVER hinges in stainless steel	101,-	-	-	-	90	2,6
9M70 S1 01	TOILET SEAT AND COVER SLIMSEAT with QuickRelease and SoftClosing hinges, hinges in stainless steel 	180,-	-	-	-	90	3
9M70 61 01	TOILET SEAT AND COVER SLIMSEAT hinges in stainless steel 	170,-	-	-	-	90	3
8711 00 00	VARIO DRAINBEND for vertical outlet for installation close to the wall 70 - 115 mm 	-	-	-	139,-	100	0,7

XX = Colour code to be indicated
01 = White Alpin, R1 = White Alpin CeramicPlus, T2 = White Alpin AntiBac CeramicPlus

ARCHITECTURA

GBP excl. VAT

Registered design
Please order tap fittings separately

TOILET SEAT AND COVER SLIMSEAT

previously Omnia Architectura



Article number	Description	01				pcs/ pal.	kg/ pc.
9M70 S1 01	with QuickRelease and SoftClosing hinges, hinges in stainless steel	180,-	-	-	-	90	3
9M70 61 01	hinges in stainless steel	170,-	-	-	-	90	3

TOILET SEAT AND COVER



Article number	Description	01				pcs/ pal.	kg/ pc.
8M70 S1 01	with QuickRelease and SoftClosing hinges, hinges in stainless steel	135,-	-	-	-	90	3
8M70 61 01	hinges in stainless steel	101,-	-	-	-	90	3

TOILET SEAT AND COVER SLIMSEAT



Article number	Description	01				pcs/ pal.	kg/ pc.
9M81 S1 01	with QuickRelease and SoftClosing hinges, hinges in stainless steel	201,-	-	-	-	40	2,7

TOILET SEAT AND COVER

previously Omnia Architectura



Article number	Description	01				pcs/ pal.	kg/ pc.
98M9 C1 01	with QuickRelease and SoftClosing hinges, hinges in stainless steel	135,-	-	-	-	72	2,6

XX = Colour code to be indicated
01 = White Alpin, R1 = White Alpin CeramicPlus, T2 = White Alpin AntiBac CeramicPlus

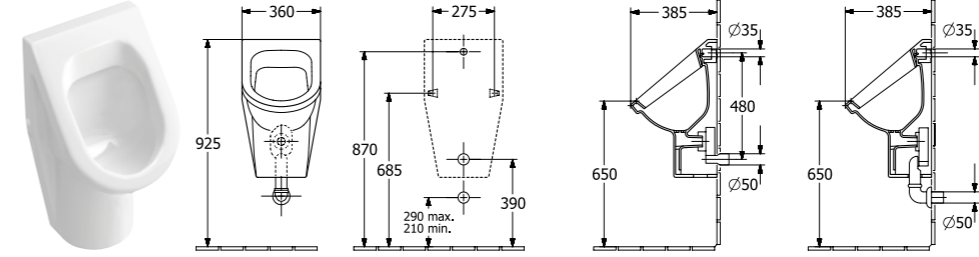
ARCHITECTURA

GBP excl. VAT

Registered design
Please order tap fittings separately

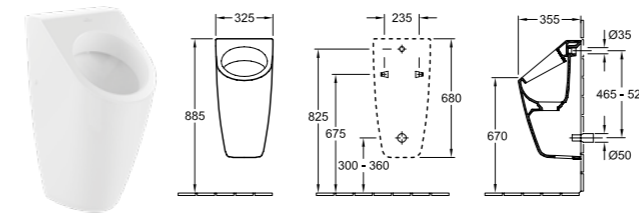
SIPHONIC URINAL

previously Omnia Architectura



Article number	Description	01	plus R1	plus T2		pcs/ pal.	kg/ pc.
5574 00 XX	360 x 620 x 385 mm splash-reducing	402,-	498,-	-	-	20	18,6
5574 05 XX	360 x 620 x 385 mm splash-reducing with target	482,-	578,-	-	-	20	18,6
5574 20 XX	360 x 620 x 385 mm splash-reducing, with ceramic strainer	499,-	593,-	-	-	20	18,6
5574 25 XX	360 x 620 x 385 mm splash-reducing, with ceramic strainer with target	579,-	675,-	-	-	20	18,6
fastening set included, concealed water inlet, Outlet may be concealed depending on the type of extractor section							
9326 00 00	EXTRACTOR horizontal outlet, Flush volume: 1,0 l (optional)	-	-	-	101,-	320	0,1
9327 00 00	EXTRACTOR vertical outlet (test), Flush volume: 1,0 l (optional)	-	-	-	101,-	90	0,2
9319 00 00	CONNECTION PIECES comprising: collar, outlet elbow, drain pipe 150 mm long (optional)	-	-	-	145,-		0,2
9933 00 00	WATER-INLET CONNECTOR (optional)	-	-	-	60,-	200	0,1
9219 89 00	URINAL INSTALLATION SYSTEM 525 x 1120 x 98 mm For further ViConnect models, see pages 92-105	-	-	-	370,-	10	8,1

SIPHONIC URINAL



Article number	Description	01	plus R1	plus T2		pcs/ pal.	kg/ pc.
5586 00 XX	325 x 680 x 355 mm	747,-	842,-	-	-	9	22,6
5586 05 XX	325 x 680 x 355 mm with target	828,-	922,-	-	-	9	22,6
Incl. outlet, consisting of ViChange siphon cartridge and ceramic outlet cover, fastening set included, concealed water inlet, concealed outlet							
8706 20 00	VICHANGE SIPHON CARTRIDGE (required spare part) 1 ViChange replacement siphon cartridge incl. 1 glove, 1 disposal bag per set	-	-	-	50,-		0,1
8706 10 00	VICHANGE SIPHON CARTRIDGE (required spare part) 10 ViChange replacement siphon cartridges incl. 1 glove, 1 disposal bag per set	-	-	-	381,-		0,1
9933 00 00	WATER-INLET CONNECTOR (optional)	-	-	-	60,-	200	0,1
9220 67 00	FLEXIBLE WATER-INLET CONNECTOR not suitable for assembly with ProDetect (optional)	-	-	-	88,-		0,3
9219 89 00	URINAL INSTALLATION SYSTEM 525 x 1120 x 98 mm For further ViConnect models, see pages 92-105	-	-	-	370,-	10	8,1

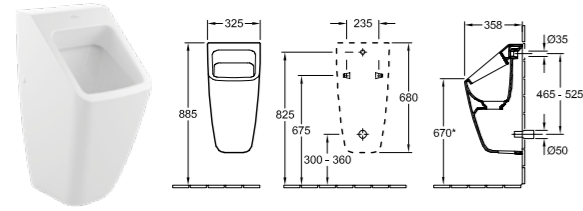
XX = Colour code to be indicated
01 = White Alpin, R1 = White Alpin CeramicPlus, T2 = White Alpin AntiBac CeramicPlus

ARCHITECTURA

GBP excl. VAT

Registered design
Please order tap fittings separately

SIPHONIC URINAL



Article number	Description	01	R1	T2	pcs/pal.	kg/pc.
5587 00 XX	325 x 680 x 355 mm	747,-	842,-	-	9	24,3
5587 05 XX	325 x 680 x 355 mm with target	828,-	922,-	-	9	24,3
Incl. outlet, consisting of ViChange siphon cartridge and ceramic outlet cover, fastening set included, concealed water inlet, concealed outlet						
8706 20 00	VICHANGE SIPHON CARTRIDGE (required spare part) 1 ViChange replacement siphon cartridge incl. 1 glove, 1 disposal bag per set	-	-	-	50,-	0,1
8706 10 00	VICHANGE SIPHON CARTRIDGE (required spare part) 10 ViChange replacement siphon cartridges incl. 1 glove, 1 disposal bag per set	-	-	-	381,-	0,1
9933 00 00	WATER-INLET CONNECTOR (optional)	-	-	-	60,-	0,1
9220 67 00	FLEXIBLE WATER-INLET CONNECTOR not suitable for assembly with ProDetect (optional)	-	-	-	88,-	0,3
9219 89 00	URINAL INSTALLATION SYSTEM 525 x 1120 x 98 mm For further ViConnect models, see pages 92-105	-	-	-	370,-	10 8,1

XX = Colour code to be indicated
01 = White Alpin, R1 = White Alpin CeramicPlus, T2 = White Alpin AntiBac CeramicPlus

ARCHITECTURA

GBP excl. VAT

Registered design
Produced to order (Please note that it is not always possible to cancel or change orders!). The washbasins and taps are to be ordered separately.

Express Delivery These products are always available from stock in the colours: **White Matt (MS), White (VS), Grey (VT)**

Front:
direct-laminated chipboard in MS, VS, VT, RH, VJ (16 mm)
horizontal grain in RH, VJ
interior colour to match décor

Body:
direct-laminated chipboard in MS, VS, VT, RH, VJ (16 mm)
horizontal grain in RH, VJ

interior colour to match décor

Drawers:
SoftClosing feature

Doors:
SoftClosing feature

Handles:
Chrome, attached to the front

Please note:
For further information such as tap fitting positions, installation and fastening dimensions etc. please see the technical drawings.

	VANITY UNIT	VANITY UNIT	VANITY UNIT	VANITY UNIT
	Express Delivery	Express Delivery	Express Delivery	Express Delivery
Article number	B895 00 XX	B894 00 XX	B893 00 XX	B892 00 XX
Dimensions (w x h x d)	950 x 520 x 420 mm	950 x 470 x 420 mm	750 x 520 x 420 mm	750 x 470 x 420 mm
Version	washbasin on the middle			
For combination with	Architectura: 4A87 A5		Architectura: 4A87 80	
Equipped with	2 x door	1 x pull-out compartment	2 x door	1 x pull-out compartment
Installation	wall-mounted			
MS, RH, VJ, VS, VT	547,-	572,-	495,-	555,-
	Express Delivery	Express Delivery	Express Delivery	Express Delivery
Article number	B891 00 XX	B890 00 XX	B889 00 XX	B888 00 XX
Dimensions (w x h x d)	600 x 520 x 420 mm	600 x 470 x 420 mm	550 x 520 x 420 mm	
Version	washbasin on the middle			
Hinges				hinges on left
For combination with	Architectura: 4A87 65		Architectura: 4A87 60	
Equipped with	2 x door	1 x pull-out compartment	2 x door 1 x open compartment	1 x door
Installation	wall-mounted			
MS, RH, VJ, VS, VT	443,-	538,-	448,-	392,-

XX = Insert front and body colour
MS = White Matt, VS = White, VT = Grey, RH = Oak Kansas, VJ = Nordic Oak

ARCHITECTURA

GBP excl. VAT

Registered design
 Produced to order (Please note that it is not always possible to cancel or change orders!). The washbasins and taps are to be ordered separately.

Express Delivery These products are always available from stock in the colours: **White Matt (MS), White (VS), Grey (VT)**

	VANITY UNIT	VANITY UNIT	VANITY UNIT	VANITY UNIT
Article number	B888 01 XX	B887 00 XX	B886 00 XX	B886 01 XX
Dimensions (w x h x d)	550 x 520 x 420 mm	550 x 470 x 420 mm	500 x 520 x 397 mm	
Version	washbasin on the middle			
Hinges	hinges on right	-	hinges on left	hinges on right
For combination with	Architectura: 4A87 60		Architectura: 4A87 55	
Equipped with	1 x door	1 x pull-out compartment	1 x door	
Installation	wall-mounted			
MS, RH, VJ, VS, VT	392,-	521,-	374,-	374,-
	VANITY UNIT	VANITY UNIT	VANITY UNIT	VANITY UNIT
Article number	B885 00 XX	B884 00 XX	B884 01 XX	B883 00 XX
Dimensions (w x h x d)	500 x 470 x 397 mm	430 x 520 x 255 mm		
Version	washbasin on the middle			
Hinges	-	hinges on left	hinges on right	hinges on left
For combination with	Architectura: 4A87 55	Architectura: 4385 48/4386 48		
Equipped with	1 x pull-out compartment	1 x door 1 x open compartment		1 x door
Installation	wall-mounted			
MS, RH, VJ, VS, VT	503,-	370,-	370,-	353,-
	VANITY UNIT	VANITY UNIT	VANITY UNIT	VANITY UNIT
Article number	B883 01 XX	B882 00 XX	B882 01 XX	B881 00 XX
Dimensions (w x h x d)	430 x 520 x 255 mm	400 x 520 x 345 mm		400 x 470 x 345 mm
Version	washbasin on the middle			
Hinges	hinges on right	hinges on left	hinges on right	-
For combination with	Architectura: 4385 48/4386 48	Architectura: 4387 45		
Equipped with		1 x door		1 x pull-out compartment
Installation	wall-mounted			
MS, RH, VJ, VS, VT	353,-	336,-	336,-	487,-

XX = Insert front and body colour
 MS = White Matt, VS = White, VT = Grey, RH = Oak Kansas, VJ = Nordic Oak

ARCHITECTURA

GBP excl. VAT

Registered design
 Produced to order (Please note that it is not always possible to cancel or change orders!). The washbasins and taps are to be ordered separately.

Express Delivery These products are always available from stock in the colours: **White Matt (MS), White (VS), Grey (VT)**

	VANITY UNIT	VANITY UNIT	VANITY UNIT	VANITY UNIT
Article number	B879 00 XX	B879 01 XX	B880 00 XX	B880 01 XX
Dimensions (w x h x d)	310 x 520 x 261 mm	310 x 520 x 243 mm		
Version	washbasin on the middle			
Hinges	hinges on left	hinges on right	hinges on left	hinges on right
For combination with	Architectura: 4385 36/4386 36			
Equipped with	1 x door		1 x door 1 x open compartment	
Installation	wall-mounted			
MS, RH, VJ, VS, VT	319,-	319,-	353,-	353,-
	TALL CABINET	TALL CABINET	TALL CABINET	TALL CABINET
Article number	B896 00 XX	B896 01 XX	B897 00 XX	B897 01 XX
Dimensions (w x h x d)	350 x 1400 x 346 mm			
Hinges	hinges on left	hinges on right	hinges on left	hinges on right
Equipped with	1 x door 3 x glass shelf		2 x door 1 x open compartment 2 x glass shelf	
Installation	wall-mounted			
MS, RH, VJ, VS, VT	551,-	551,-	594,-	594,-

XX = Insert front and body colour
 MS = White Matt, VS = White, VT = Grey, RH = Oak Kansas, VJ = Nordic Oak

AVENTO

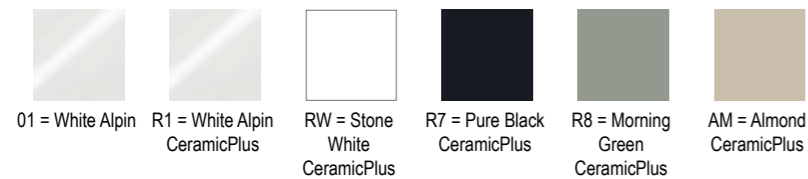
Sanitaryware and Bathroom Furniture

- Matching furniture programme Avento
- Designed to match all mirror and mirror cabinet collections
- Matching wellness programme Avento
- Matching taps programme Architectura Square, Architectura, O.novo

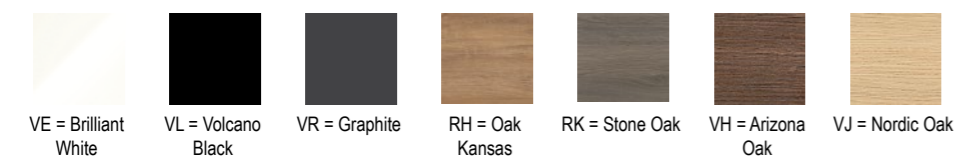
PRO.VILLEROY-BOCH.COM/TECHNICALDRAWINGS



Ceramic colours



Front- / Body colours



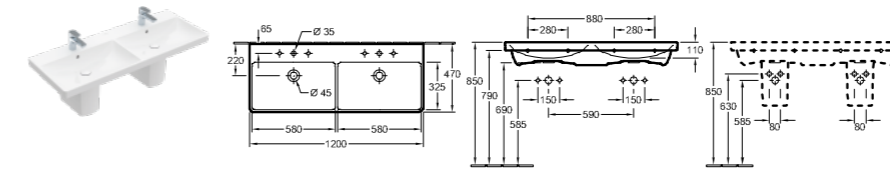
The colors AM, R7 and R8 are made to order. Please enquire about delivery times when ordering.

AVENTO

GBP excl. VAT

Please order tap fittings separately

DOUBLE VANITY WASHBASIN

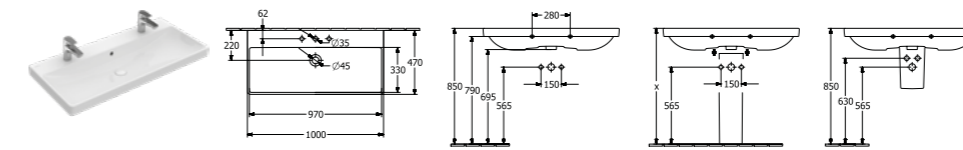


Article number	Description	01	plus R1	plus RW		pcs/pal.	kg/pc.
4A23 CK XX	1200 x 470 mm 2x	1.115,-	1.211,-	1.321,-	-	8	35,4

wall-mounted, matching furniture programme: Avento
For further information about matching valves and CAP, see pages 106-107

5244 00 XX	TRAP COVER cannot be combined with 3-hole tap fittings, incl. fastening set "SmartFix"	SmartFix	233,-	330,-	-	-	40	9,7
9221 49 00	WASHBASIN INSTALLATION ELEMENT 525 x 1120 x 75 mm For further ViConnect models, see pages 92-105		-	-	-	226,-	10	8,1

VANITY WASHBASIN

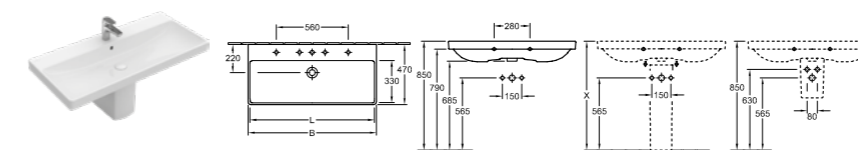


Article number	Description	01	plus R1	plus RW		pcs/pal.	kg/pc.
4156 A4 XX	1000 x 470 mm 2x	858,-	953,-	1.040,-	-	8	28,3
4156 A5 XX	1000 x 470 mm	858,-	953,-	1.040,-	-	8	29,1

wall-mounted, matching furniture programme: Avento
For further information about matching valves and CAP, see pages 106-107

5244 00 XX	TRAP COVER cannot be combined with 3-hole tap fittings, incl. fastening set "SmartFix"	SmartFix	233,-	330,-	-	-	40	9,7
9221 49 00	WASHBASIN INSTALLATION ELEMENT 525 x 1120 x 75 mm For further ViConnect models, see pages 92-105		-	-	-	226,-	10	8,1

VANITY WASHBASIN



Article no. | B | L
415680XX | 800 | 770

Article number	Description	01	plus R1	plus RW		pcs/pal.	kg/pc.
4156 80 XX	800 x 470 mm	698,-	792,-	863,-	-	12	22,5

wall-mounted, matching furniture programme: Avento
For further information about matching valves and CAP, see pages 106-107

5244 00 XX	TRAP COVER cannot be combined with 3-hole tap fittings, incl. fastening set "SmartFix"	SmartFix	233,-	330,-	-	-	40	9,7
9221 49 00	WASHBASIN INSTALLATION ELEMENT 525 x 1120 x 75 mm For further ViConnect models, see pages 92-105		-	-	-	226,-	10	8,1

The colours AM, R7 and R8 are made to order. Please enquire about delivery times when ordering.

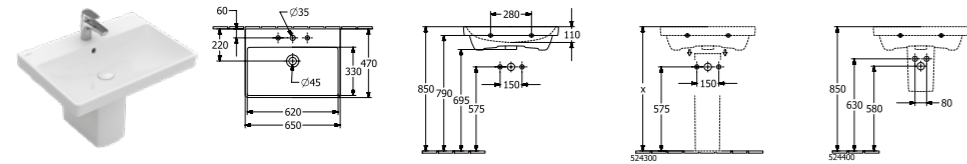
XX = Colour code to be indicated
01 = White Alpin, R1 = White Alpin CeramicPlus, RW = Stone White CeramicPlus, R7 = Pure Black CeramicPlus, R8 = Morning Green CeramicPlus, AM = Almond CeramicPlus

AVENTO

GBP excl. VAT

Please order tap fittings separately

WASHBASIN

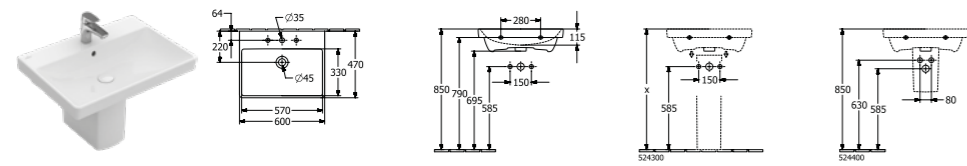


Article number	Description	01	plus R1	plus RW	pcs/ pal.	kg/ pc.
4158 65 XX	650 x 470 mm	333,-	430,-	463,-	16	19

wall-mounted, matching furniture programme: Avento
For further information about matching valves and CAP, see pages 106-107

5244 00 XX	TRAP COVER cannot be combined with 3-hole tap fittings, incl. fastening set "SmartFix"	233,-	330,-	-	40	9,7
9221 49 00	WASHBASIN INSTALLATION ELEMENT 525 x 1120 x 75 mm For further ViConnect models, see pages 92-105	-	-	-	226,-	10 8,1

WASHBASIN

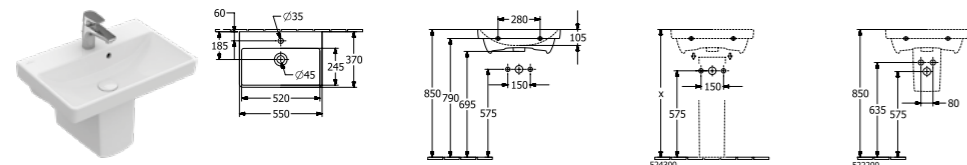


Article number	Description	01	plus R1	plus RW	pcs/ pal.	kg/ pc.
4158 60 XX	600 x 470 mm	259,-	354,-	380,-	18	16,5

wall-mounted, matching furniture programme: Avento
For further information about matching valves and CAP, see pages 106-107

5244 00 XX	TRAP COVER cannot be combined with 3-hole tap fittings, incl. fastening set "SmartFix"	233,-	330,-	-	40	9,7
9221 49 00	WASHBASIN INSTALLATION ELEMENT 525 x 1120 x 75 mm For further ViConnect models, see pages 92-105	-	-	-	226,-	10 8,1

WASHBASIN COMPACT



Article number	Description	01	plus R1	plus RW	pcs/ pal.	kg/ pc.
4A00 55 XX	550 x 370 mm	227,-	321,-	345,-	27	13

wall-mounted, matching furniture programme: Avento
For further information about matching valves and CAP, see pages 106-107

5222 00 XX	TRAP COVER cannot be combined with 3-hole tap fittings, fastening set included	233,-	330,-	-	50	7,7
9221 49 00	WASHBASIN INSTALLATION ELEMENT 525 x 1120 x 75 mm For further ViConnect models, see pages 92-105	-	-	-	226,-	10 8,1

The colours AM, R7 and R8 are made to order. Please enquire about delivery times when ordering.

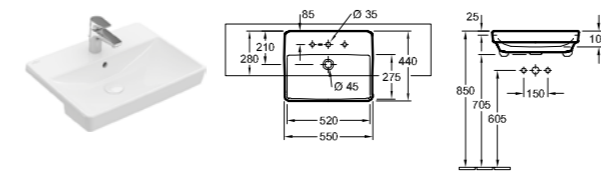
XX = Colour code to be indicated
01 = White Alpin, R1 = White Alpin CeramicPlus, RW = Stone White CeramicPlus, R7 = Pure Black CeramicPlus, R8 = Morning Green CeramicPlus, AM = Almond CeramicPlus

AVENTO

GBP excl. VAT

Please order tap fittings separately

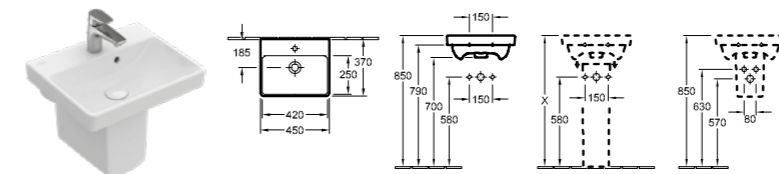
SEMI-RECESSED WASHBASIN



Article number	Description	01	plus R1	plus RW	pcs/ pal.	kg/ pc.
4A06 55 XX	550 x 440 mm	327,-	422,-	455,-	12	14,7

Semi-recessed, incl. template, fastening set included
For further information about matching valves, see pages 106-107
Please note: unclosable outlet valve must be used with models without overflow

HANDWASHBASIN

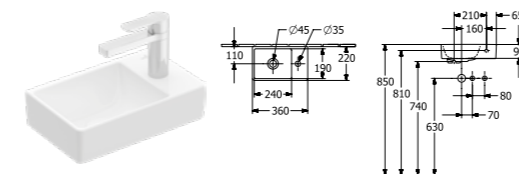


Article number	Description	01	plus R1	plus RW	pcs/ pal.	kg/ pc.
7358 45 XX	450 x 370 mm	182,-	278,-	297,-	48	10,4

wall-mounted, matching furniture programme: Avento
For further information about matching valves, see pages 106-107

5222 00 XX	TRAP COVER cannot be combined with 3-hole tap fittings, fastening set included	233,-	330,-	-	50	7,7
9221 49 00	WASHBASIN INSTALLATION ELEMENT 525 x 1120 x 75 mm For further ViConnect models, see pages 92-105	-	-	-	226,-	10 8,1

HANDWASHBASIN



Article number	Description	01	plus R1	plus RW, AM, R7, R8	pcs/ pal.	kg/ pc.
4300 3L XX	360 x 220 mm	194,-	289,-	308,-	90	5,5

wall-mounted, basin left, matching furniture programme: Avento
For further information about matching valves, see pages 106-107
Please note: unclosable outlet valve must be used with models without overflow

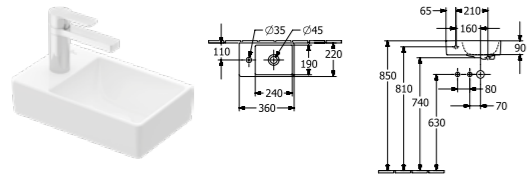
The colours AM, R7 and R8 are made to order. Please enquire about delivery times when ordering.

XX = Colour code to be indicated
01 = White Alpin, R1 = White Alpin CeramicPlus, RW = Stone White CeramicPlus, R7 = Pure Black CeramicPlus, R8 = Morning Green CeramicPlus, AM = Almond CeramicPlus

AVENTO

Please order tap fittings separately

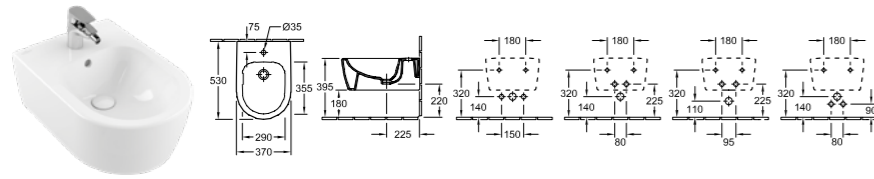
HANDWASHBASIN



Article number	Description	01	plus R1	plus RW, AM, R7, R8	pcs/ pal.	kg/ pc.
4300 3R XX	360 x 220 mm	194,-	289,-	308,-	-	90 5,5

wall-mounted, basin right, matching furniture programme: Avento
For further information about matching valves, see pages 106-107
Please note: unclosable outlet valve must be used with models without overflow

BIDET



Article number	Description	01	plus R1	plus RW	pcs/ pal.	kg/ pc.
5405 00 XX	370 x 530 mm	536,-	632,-	684,-	-	12 18,9

wall-mounted, with fastening set for concealed fastening
For further information about matching valves, see pages 106-107

9221 48 00	BIDET INSTALLATION SYSTEM 525 x 1120 x 100 mm For further ViConnect models, see pages 92-105	-	-	-	341,-	10 10,5
------------	---	---	---	---	-------	---------

The colours AM, R7 and R8 are made to order. Please enquire about delivery times when ordering.

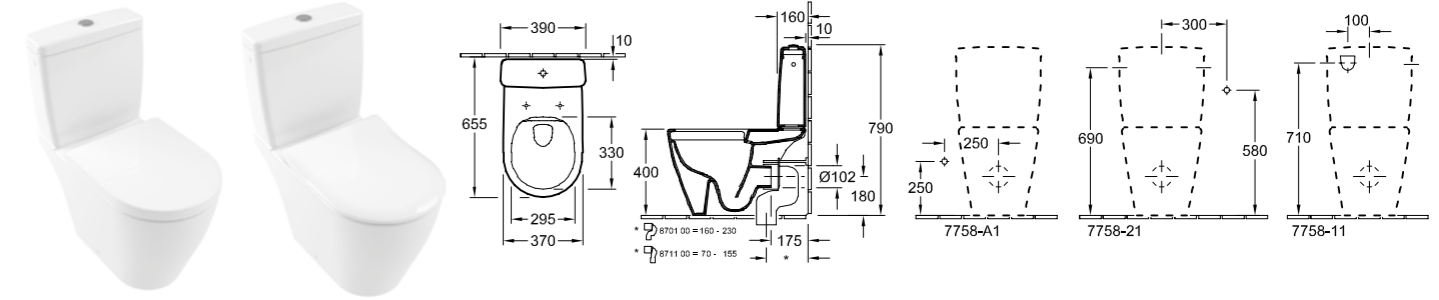
XX = Colour code to be indicated
01 = White Alpin, R1 = White Alpin CeramicPlus, RW = Stone White CeramicPlus, R7 = Pure Black CeramicPlus, R8 = Morning Green CeramicPlus, AM = Almond CeramicPlus

AVENTO

Please order tap fittings separately

WASHDOWN TOILET FOR CLOSE-COUPLED WC-SUITE, RIMLESS

DirectFlush



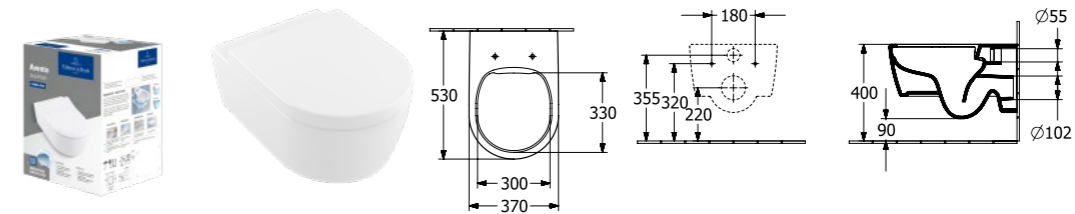
Article number	Description	01	plus R1	plus RW	pcs/ pal.	kg/ pc.
5644 R0 XX	370 x 640 mm Direct Flush	293,-	352,-	423,-	-	8 29

floor-standing, horizontal outlet, with fastening set for concealed fastening, with water-saving AQUAREDUCT® system: flush volume 3 / 4,5 litres

7758 11 XX	CISTERN water inlet from the sides or rear, flushing mechanism with DualFlush water-saving button, chrome	230,-	326,-	348,-	-	20 12,6
7758 71 XX	CISTERN bottom water inlet, flushing mechanism with DualFlush water-saving button, chrome	166,-	259,-	310,-	-	20 12,2
9M77 C1 XX	TOILET SEAT AND COVER with QuickRelease and SoftClosing hinges, hinges in stainless steel	176,-	-	195,-	-	108 2,6
9M87 S1 01	TOILET SEAT AND COVER SLIMSEAT with QuickRelease and SoftClosing hinges, hinges in stainless steel	207,-	-	-	-	72 2,9
8701 00 00	VARIO DRAINBEND for vertical outlet 160 - 230 mm	-	-	-	139,-	100 0,7
8711 00 00	VARIO DRAINBEND for vertical outlet 70 - 155 mm	-	-	-	139,-	100 0,7

COMBI-PACK

DirectFlush



Article number	Description	01	plus R1	plus RW	pcs/ pal.	kg/ pc.
5656 HR XX	individual packaging materials, wall-mounted, horizontal outlet composed of: Washdown WC DirectFlush 5656 R0 XX, WC-seat with QuickRelease and SoftClosing hinges 9M77 C1 XX	622,-	717,-	781,-	-	12 22,9

The colours AM, R7 and R8 are made to order. Please enquire about delivery times when ordering.

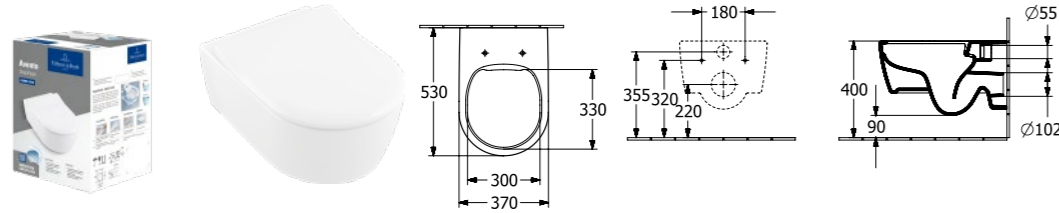
XX = Colour code to be indicated
01 = White Alpin, R1 = White Alpin CeramicPlus, RW = Stone White CeramicPlus, R7 = Pure Black CeramicPlus, R8 = Morning Green CeramicPlus, AM = Almond CeramicPlus

AVENTO

GBP excl. VAT

Please order tap fittings separately

COMBI-PACK DirectFlush



Article number	Description	01	R1	RW	pcs/pal.	kg/pc.
5656 RS XX	individual packaging materials, wall-mounted, horizontal outlet composed of: Washdown WC DirectFlush 5656 R0 XX, SlimSeat with QuickRelease and SoftClosing hinges 9M87 S1 01	652,-	747,-	-	12	21.9



AVENTO

GBP excl. VAT

Produced to order (Please note that it is not always possible to cancel or change orders!), The washbasins and taps are to be ordered separately.

Express Delivery These products are always available from stock in the colours: **Brilliant White (VE)**, **Graphite (VR)**, **Kansas Oak (RH)**, **Nordic Oak (VJ)** with handle 0 (Glossy Chrome-coloured).

Front:
Direct-laminated chipboard in AA, MS, RH, RK, VH, VJ (8 mm)
Direct-laminated chipboard in RH, RK, VH, VJ (16 mm)
horizontal grain in RH, RK, VH, VJ
interior colour to match décor

Body:
Direct-laminated chipboard in AA, MS, RH, RK, VH, VJ (8 mm)
Direct-laminated chipboard in RH, RK, VH, VJ (16 mm)
horizontal grain in RH, RK, VH, VJ

interior colour to match décor
Drawers:
SoftClosing feature
Doors:
SoftClosing feature
Handles:
glossy chrome
Lacquered aluminium

Please note:
For further information such as tap fitting positions, installation and fastening dimensions etc. please see the technical drawings.

	VANITY UNIT	VANITY UNIT	VANITY UNIT	VANITY UNIT
	Express Delivery	Express Delivery	Express Delivery	Express Delivery
Article number	A893 Y0 XX	A892 Y0 XX	A891 Y0 XX	
Dimensions (w x h x d)	1180 x 514 x 484 mm	980 x 514 x 484 mm	780 x 514 x 484 mm	
Version	washbasin on the middle			
For combination with	Avento 4A23 CK	Avento 4156 A4/A5	Avento 4156 B0	
Equipped with	4 x pull-out compartment	2 x pull-out compartment		
Installation	wall-mounted			
Scope of delivery	fastening set included			
RH, RK, VE, VH, VJ, VL, VR	1.252,-	899,-	827,-	
	Express Delivery	Express Delivery	Express Delivery	Express Delivery
Article number	A890 Y0 XX	A889 Y0 XX	A888 Y0 XX	A888 Y1 XX
Dimensions (w x h x d)	630 x 514 x 484 mm	580 x 514 x 484 mm	530 x 514 x 384 mm	
Version	washbasin on the middle			
Hinges	-		hinges on left	hinges on right
For combination with	Avento 4158 65	Avento 4158 60	Avento 4A00 55	
Equipped with	2 x pull-out compartment		1 x door	
Installation	wall-mounted			
Scope of delivery	fastening set included			
RH, RK, VE, VH, VJ, VL, VR	763,-	623,-	549,-	549,-

The colours AM, R7 and R8 are made to order. Please enquire about delivery times when ordering.

XX = Colour code to be indicated
01 = White Alpin, R1 = White Alpin CeramicPlus, RW = Stone White CeramicPlus, R7 = Pure Black CeramicPlus, R8 = Morning Green CeramicPlus, AM = Almond CeramicPlus

XX = Insert front and body colour
VE = Brilliant White, VL = Volcano Black, VR = Graphite, RH = Oak Kansas, RK = Stone Oak, VH = Arizona Oak, VJ = Nordic Oak

Y = Handle code to be indicated
0 = Glossy Chrome-coloured, 1 = Volcano Black

AVENTO

GBP excl. VAT

Produced to order (Please note that it is not always possible to cancel or change orders!), The washbasins and taps are to be ordered separately.

Express Delivery These products are always available from stock in the colours: **Brilliant White (VE), Graphite (VR), Kansas Oak (RH), Nordic Oak (VJ) with handle 0 (Glossy Chrome-coloured).**

	VANITY UNIT	VANITY UNIT	VANITY UNIT	VANITY UNIT
Article number	A887 Y0 XX	A887 Y1 XX	A876 Y0 XX	A876 Y1 XX
Dimensions (w x h x d)	430 x 514 x 384 mm		340 x 514 x 234 mm	
Version	washbasin on the middle			
Hinges	hinges on left	hinges on right	hinges on left	hinges on right
For combination with	Avento 7358 45		Avento 4300 3L/3R	
Equipped with	1 x door			
Installation	wall-mounted			
Scope of delivery	fastening set included			
Please note	-			
RH, RK, VE, VH, VJ, VL, VR	532,-	532,-	413,-	413,-
Article number	A894 Y0 XX	A894 Y1 XX	A895 Y0 XX	A895 Y1 XX
Dimensions (w x h x d)	350 x 1760 x 404 mm		350 x 890 x 405 mm	
Hinges	hinges on left	hinges on right	hinges on left	hinges on right
Equipped with	2 x door 4 x glass shelf		1 x door 2 x glass shelf	
Installation	wall-mounted			
Scope of delivery	fastening set included			
RH, RK, VE, VH, VJ, VL, VR	798,-	798,-	647,-	647,-

MORE TO SEE LITE

GBP excl. VAT

Bathroom furniture

PRO.VILLEROY-BOCH.COM/TECHNICALDRAWINGS

- Match all collections/furniture programmes



XX = Insert front and body colour
VE = Brilliant White, VL = Volcano Black, VR = Graphite, RH = Oak Kansas,
RK = Stone Oak, VH = Arizona Oak, VJ = Nordic Oak

Y = Handle code to be indicated
0 = Glossy Chrome-coloured, 1 = Volcano Black

MORE TO SEE LITE

GBP excl. VAT

Express Delivery These products are always in stock.

Mirrors: Mirror (4 mm) on a stainless steel frame
Lighting: with all-round indirect LED lighting continuously dimmable freely-adjustable light colour from DaylightWhite (6500 kelvin) to WarmWhite (2700 kelvin)

Light control via sensor switch by touching the logo on the mirror surface or smart light control with ZIGBEE HOME AUTOMATION KIT C004 00 00 (The mirror can be connected via the Zigbee Home Automation Standard with all hubs/gateways that use this transmission standard, such as Philips Hue Bridge or suitable Amazon Echo models).
 Memory feature - The lighting readjusts to the intensity and colour temperature that were set before the power was switched off.

	MIRROR	MIRROR	MIRROR	MIRROR
Article number	A477 16 00	A477 14 00	A477 13 00	A477 12 00
Dimensions (w x h x d)	1600 x 750 x 24 mm	1400 x 750 x 24 mm	1300 x 750 x 24 mm	1200 x 750 x 24 mm
Lighting	with all-round indirect LED lighting (can be replaced) Lighting 1 x LED / 43,20 W	with all-round indirect LED lighting (can be replaced) Lighting 1 x LED / 39,41 W	with all-round indirect LED lighting (can be replaced) Lighting 1 x LED / 37,39 W	with all-round indirect LED lighting (can be replaced) Lighting 1 x LED / 35,62 W
Note on standard	IP 44			
Installation	wall-mounted			
Scope of delivery	fastening set included			
	1.261,-	1.182,-	1.128,-	1.078,-

	MIRROR	MIRROR	MIRROR	MIRROR
Article number	A477 10 00	A477 80 00	A477 65 00	A477 60 00
Dimensions (w x h x d)	1000 x 750 x 24 mm	800 x 750 x 24 mm	650 x 750 x 24 mm	600 x 750 x 24 mm
Lighting	with all-round indirect LED lighting (can be replaced) Lighting 1 x LED / 31,58 W	with all-round indirect LED lighting (can be replaced) Lighting 1 x LED / 27,79 W	with all-round indirect LED lighting (can be replaced) Lighting 1 x LED / 25,01 W	with all-round indirect LED lighting (can be replaced) Lighting 1 x LED / 24 W
Note on standard	IP 44			
Installation	wall-mounted			
Scope of delivery	fastening set included			
	998,-	920,-	854,-	814,-

MORE TO SEE LITE

GBP excl. VAT

Express Delivery These products are always in stock.



	MIRROR	MIRROR	MIRROR
Article number	A477 50 00	A477 45 00	A477 37 00
Dimensions (w x h x d)	500 x 750 x 24 mm	450 x 750 x 24 mm	370 x 750 x 24 mm
Lighting	with all-round indirect LED lighting (can be replaced) Lighting 1 x LED / 21,98 W	with all-round indirect LED lighting (can be replaced) Lighting 1 x LED / 21,22 W	with all-round indirect LED lighting (can be replaced) Lighting 1 x LED / 19,45 W
Note on standard	IP 44		
Installation	wall-mounted		
Scope of delivery	fastening set included		
	763,-	722,-	696,-



	MIRROR	MIRROR
Article number	A478 85 00	A478 65 00
Dimensions (w x h x d)	850 x 850 x 31 mm	650 x 650 x 31 mm
For combination with	Shelf, white C553 85 Shelf, black C554 85	Shelf, white C553 65 Shelf, black C554 65
Lighting	with all-round indirect LED lighting (can be replaced) Lighting 1 x LED / 24,50 W	with all-round indirect LED lighting (can be replaced) Lighting 1 x LED / 18,44 W
Note on standard	IP 44	
Installation	wall-mounted	
Scope of delivery	fastening set included	
	882,-	814,-



	MIRROR	MIRROR	MIRROR
Article number	A479 10 00	A479 80 00	A479 60 00
Dimensions (w x h x d)	600 x 1000 x 24 mm	800 x 800 x 24 mm	600 x 600 x 24 mm
Lighting	with all-round indirect LED lighting (can be replaced) Lighting 1 x LED / 28,04 W	with all-round indirect LED lighting (can be replaced) Lighting 1 x LED / 28,40 W	with all-round indirect LED lighting (can be replaced) Lighting 1 x LED / 20,46 W
Note on standard	IP 44		
Installation	wall-mounted		
Scope of delivery	fastening set included		
	854,-	763,-	696,-

MORE TO SEE LITE




Express Delivery These products are always in stock.

MIRROR	
	
	
Article number	A483 50 00
Dimensions (w x h x d)	500 x 900 x 24 mm
For combination with	Shelf, white C553 50 Shelf, black C554 50
Lighting	with all-round indirect LED lighting (can be replaced) Lighting 1 x LED / 21,7 W
Note on standard	IP 44
Installation	wall-mounted
Scope of delivery	fastening set included
	875,-

SHELF	SHELF	SHELF	
			
			
Article number	C553 85 00	C553 65 00	C553 50 00
Dimensions (w x h x d)	850 x 34 x 125,7 mm	650 x 34 x 125,7 mm	500 x 34 x 125,7 mm
Material	white, made of powder-coated steel	white, made of powder-coated steel	white, made of powder-coated steel
For combination with	Optional shelf to match the round mirrors in the 850 mm size for the More to See Lite and More to See Lite+ collections	Optional shelf to match the round mirrors in the 650 mm size for the More to See Lite and More to See Lite+ collections	Optional shelf to match the oval mirrors (size 500 mm) from the More to See Lite and More to See Lite+ collections
Installation	On the mirror		
	99,-	89,-	78,-

SHELF	SHELF	SHELF	
			
			
Article number	C554 85 00	C554 65 00	C554 50 00
Dimensions (w x h x d)	850 x 34 x 125,7 mm	650 x 34 x 125,7 mm	500 x 34 x 125,7 mm
Material	Black, made of powder-coated steel	Black, made of powder-coated steel	Black, made of powder-coated steel
For combination with	Optional shelf to match the round mirrors in the 850 mm size for the More to See Lite and More to See Lite+ collections	Optional shelf to match the round mirrors in the 650 mm size for the More to See Lite and More to See Lite+ collections	Optional shelf to match the oval mirrors (size 500 mm) from the More to See Lite and More to See Lite+ collections
Installation	On the mirror		
	99,-	89,-	78,-

ZIGBEE® HOME AUTOMATION KIT FOR MIRRORS

	
 	
Article number	C004 00 00
	68,-

MORE TO SEE ONE

Bathroom furniture
• Match all collections/furniture programmes

PRO.VILLEROY-BOCH.COM/TECHNICALDRAWINGS



MORE TO SEE ONE

GBP excl. VAT

Goods in stock

Express Delivery These products are always in stock.

Mirrors:
mirror (5 mm) on a frame
Mirror frame:
30 mm x 20 mm aluminium frame (L-profile, matt anodised)
Lighting:

integrated horizontal LED lighting
LED can be replaced
light colour in daylight white (5700 K)
for room/outside light switch
loose mains connection

	MIRROR	MIRROR	MIRROR	MIRROR
	Express Delivery	Express Delivery	Express Delivery	Express Delivery
Article number	A430 A1 00	A430 A2 00	A430 A3 00	A430 A4 00
Dimensions (w x h x d)	1400 x 600 x 30 mm	1300 x 600 x 30 mm	1200 x 600 x 30 mm	1000 x 600 x 30 mm
Lighting	LED lighting Lighting 1 x LED / 12 W	LED lighting Lighting 1 x LED / 12 W	LED lighting Lighting 1 x LED / 12 W	LED lighting Lighting 1 x LED / 12 W
Note on standard	IP 44			
Installation	wall-mounted			
Scope of delivery	fastening set included			
	766,-	653,-	603,-	498,-
	MIRROR	MIRROR	MIRROR	MIRROR
	Express Delivery	Express Delivery	Express Delivery	Express Delivery
Article number	A430 A5 00	A430 A6 00	A430 A7 00	A430 A8 00
Dimensions (w x h x d)	800 x 600 x 30 mm	600 x 600 x 30 mm	500 x 600 x 30 mm	450 x 600 x 30 mm
Lighting	LED lighting Lighting 1 x LED / 10 W	LED lighting Lighting 1 x LED / 6 W	LED lighting Lighting 1 x LED / 6 W	LED lighting Lighting 1 x LED / 6 W
Note on standard	IP 44			
Installation	wall-mounted			
Scope of delivery	fastening set included			
	421,-	342,-	297,-	289,-

MY VIEW LITE

NEW

GBP excl. VAT

Bathroom furniture

• Match all collections/furniture programmes

PRO.VILLEROY-BOCH.COM/TECHNICALDRAWINGS



MY VIEW LITE



MY VIEW LITE









NEW

GBP excl. VAT

Express Delivery These products are always in stock.

Front:
Crystal double mirror doors (2 x 3 mm)
Body:
Surface-mounted mirror cabinet: Melamine, mirrored at the side
Interior body:
Melamine in anthracite
Handles:
Adhesive handles in chrome, enclosed with order
Interior compartments :

Height-adjustable glass shelves
Lighting:
LED lighting on three sides
Light control via sensor switch on the outside
3 dimmer settings
freely-adjustable light colour from DaylightWhite (6500 kelvin) to WarmWhite (2700 kelvin)
Memory feature - The lighting readjusts to the intensity and colour temperature that were set before the power was switched off.

	SURFACE-MOUNTED MIRROR CABINET	SURFACE-MOUNTED MIRROR CABINET	SURFACE-MOUNTED MIRROR CABINET	SURFACE-MOUNTED MIRROR CABINET
				
				
Article number	A469 G2 00	A469 G1 00	A469 G8 00	A469 G6 00
Dimensions (w x h x d)	1200 x 738 x 180 mm	1000 x 738 x 180 mm	800 x 738 x 180 mm	600 x 738 x 180 mm
Lighting	LED lighting Lighting 1 x LED / 31,8 W	LED lighting Lighting 1 x LED / 29,4 W	LED lighting Lighting 1 x LED / 27 W	LED lighting Lighting 1 x LED / 24,6 W
Equipped with	2 x door with mirror			
Note on standard	IP 44			
Please note	Mounted on the wall			
Installation	Surface-mounted			
Scope of delivery	fastening set included			
	1.990,-	1.667,-	1.507,-	1.398,-

O.NOVO

GBP excl. VAT

PRO.VILLEROY-BOCH.COM/TECHNICALDRAWINGS

Bath ceramic
• Matching taps programme O.novo



Ceramic colours



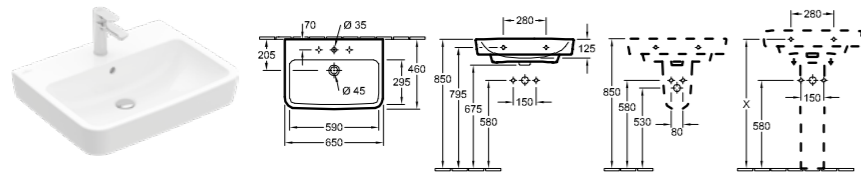
XX = Colour code to be indicated
01 = White Alpin, R1 = White Alpin CeramicPlus, R3 = Pergamon CeramicPlus, T2 = White Alpin AntiBac CeramicPlus

O.NOVO

GBP excl. VAT

Registered design
Please order tap fittings separately

WASHBASIN



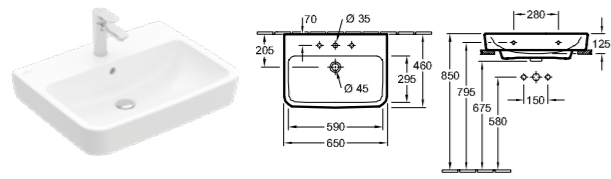
Article number	Description	01	plus R1	plus R3	plus T2	pcs/ pal.	kg/ pc.
4A41 65 XX	650 x 460 mm	253,-	350,-	-	418,-	14	20,5
4A41 66 XX	650 x 460 mm	253,-	350,-	-	418,-	14	20,5
4A41 67 XX	650 x 460 mm	320,-	416,-	-	484,-	14	20,5
4A41 68 XX	650 x 460 mm	320,-	416,-	-	484,-	14	20,5

wall-mounted, central basin
For further information about matching valves, see pages 106-107
Please note: unclosable outlet valve must be used with models without overflow

5265 00 XX	PEDESTAL	94,-	190,-	-	-	56	7,9
5266 00 XX	TRAP COVER fastening set included	112,-	207,-	231,-	-	40	8,4
9221 49 00	WASHBASIN INSTALLATION ELEMENT 525 x 1120 x 75 mm For further ViConnect models, see pages 92-105	-	-	-	-	226,-	10 8,1

WASHBASIN

Flush-fit or surface-mounted variants



Article number	Description	01	plus R1	plus R3	plus T2	pcs/ pal.	kg/ pc.
4A41 KG XX	650 x 460 mm	329,-	426,-	-	494,-	10	20,3
4A41 KL XX	650 x 460 mm	329,-	426,-	-	494,-	10	20,3
4A41 KJ XX	650 x 460 mm	397,-	491,-	-	561,-	10	20,3
4A41 KF XX	650 x 460 mm	397,-	491,-	-	561,-	10	20,3

wall-mounted, Ground underside and rear, central basin, incl. installation instructions, incl. template
For further information about matching valves, see pages 106-107
Please note: unclosable outlet valve must be used with models without overflow

9221 49 00	WASHBASIN INSTALLATION ELEMENT 525 x 1120 x 75 mm For further ViConnect models, see pages 92-105	-	-	-	-	226,-	10 8,1
------------	--	---	---	---	---	-------	--------

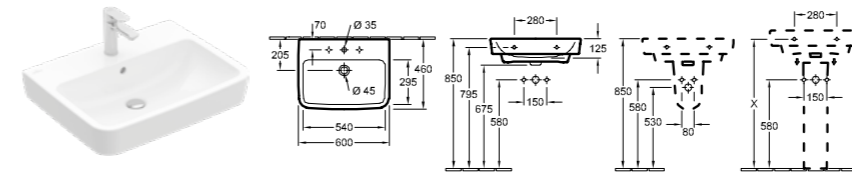
XX = Colour code to be indicated
01 = White Alpin, R1 = White Alpin CeramicPlus, R3 = Pergamon CeramicPlus, T2 = White Alpin AntiBac CeramicPlus

O.NOVO

GBP excl. VAT

Registered design
Please order tap fittings separately

WASHBASIN



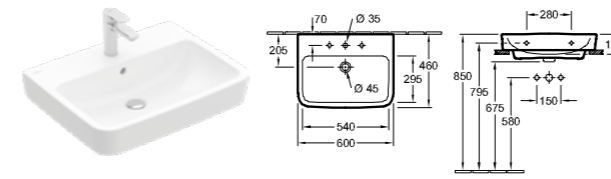
Article number	Description	01	plus R1	plus R3	plus T2	pcs/ pal.	kg/ pc.
4A41 60 XX	600 x 460 mm	157,-	252,-	-	322,-	16	18,6
4A41 61 XX	600 x 460 mm	157,-	252,-	-	322,-	16	18,6
4A41 62 XX	600 x 460 mm	224,-	319,-	-	388,-	16	18,6
4A41 63 XX	600 x 460 mm	224,-	319,-	-	388,-	16	18,6

wall-mounted, central basin
For further information about matching valves, see pages 106-107
Please note: unclosable outlet valve must be used with models without overflow

5265 00 XX	PEDESTAL	94,-	190,-	-	-	56	7,9
5266 00 XX	TRAP COVER fastening set included	112,-	207,-	231,-	-	40	8,4
9221 49 00	WASHBASIN INSTALLATION ELEMENT 525 x 1120 x 75 mm For further ViConnect models, see pages 92-105	-	-	-	-	226,-	10 8,1

WASHBASIN

Flush-fit or surface-mounted variants



Article number	Description	01	plus R1	plus R3	plus T2	pcs/ pal.	kg/ pc.
4A41 6G XX	600 x 460 mm	232,-	328,-	-	398,-	10	18,9
4A41 6L XX	600 x 460 mm	232,-	328,-	-	398,-	10	18,9
4A41 6J XX	600 x 460 mm	300,-	396,-	-	465,-	10	18,9
4A41 6F XX	600 x 460 mm	300,-	396,-	-	465,-	10	18,9

wall-mounted, Ground underside and rear, central basin, incl. installation instructions, incl. template
For further information about matching valves, see pages 106-107
Please note: unclosable outlet valve must be used with models without overflow

9221 49 00	WASHBASIN INSTALLATION ELEMENT 525 x 1120 x 75 mm For further ViConnect models, see pages 92-105	-	-	-	-	226,-	10 8,1
------------	--	---	---	---	---	-------	--------

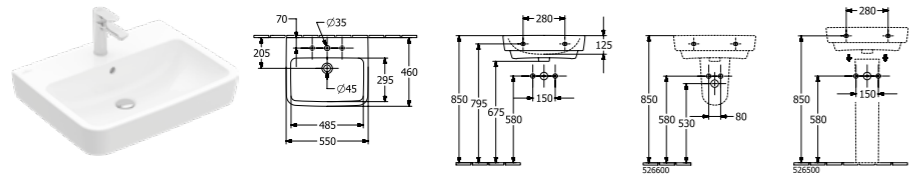
XX = Colour code to be indicated
01 = White Alpin, R1 = White Alpin CeramicPlus, R3 = Pergamon CeramicPlus, T2 = White Alpin AntiBac CeramicPlus

O.NOVO

GBP excl. VAT

Registered design
Please order tap fittings separately

WASHBASIN



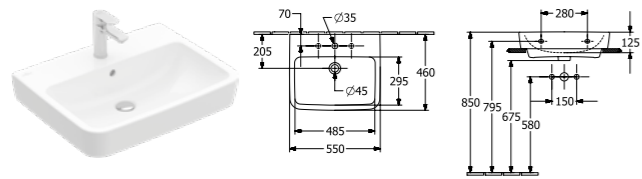
Article number	Description	01	plus R1	plus R3	plus T2	pcs/ pal.	kg/ pc.
4A41 55 XX	550 x 460 mm	131,-	228,-	-	298,-	16	18,1
4A41 56 XX	550 x 460 mm	131,-	228,-	-	298,-	16	18,1
4A41 57 XX	550 x 460 mm	198,-	294,-	-	363,-	16	18,1
4A41 58 XX	550 x 460 mm	198,-	294,-	-	363,-	16	18,1

wall-mounted, central basin
For further information about matching valves, see pages 106-107
Please note: unclosable outlet valve must be used with models without overflow

5265 00 XX	PEDESTAL	94,-	190,-	-	-	56	7,9
5266 00 XX	TRAP COVER fastening set included	112,-	207,-	231,-	-	40	8,4
9221 49 00	WASHBASIN INSTALLATION ELEMENT 525 x 1120 x 75 mm For further ViConnect models, see pages 92-105	-	-	-	-	226,-	10 8,1

WASHBASIN

Flush-fit or surface-mounted variants



Article number	Description	01	plus R1	plus R3	plus T2	pcs/ pal.	kg/ pc.
4A41 MG XX	550 x 460 mm	206,-	303,-	-	372,-	14	18,1
4A41 MJ XX	550 x 460 mm	206,-	303,-	-	372,-	14	16,7
4A41 ML XX	550 x 460 mm	274,-	370,-	-	439,-	14	18,5
4A41 MF XX	550 x 460 mm	274,-	370,-	-	439,-	14	18,3

wall-mounted, Ground underside and rear, central basin, incl. installation instructions, incl. template
For further information about matching valves, see pages 106-107
Please note: unclosable outlet valve must be used with models without overflow

9221 49 00	WASHBASIN INSTALLATION ELEMENT 525 x 1120 x 75 mm For further ViConnect models, see pages 92-105	-	-	-	-	226,-	10 8,1
------------	--	---	---	---	---	-------	--------

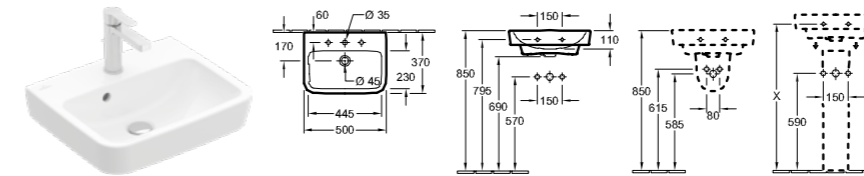
XX = Colour code to be indicated
01 = White Alpin, R1 = White Alpin CeramicPlus, R3 = Pergamon CeramicPlus, T2 = White Alpin AntiBac CeramicPlus

O.NOVO

GBP excl. VAT

Registered design
Please order tap fittings separately

HANDWASHBASIN

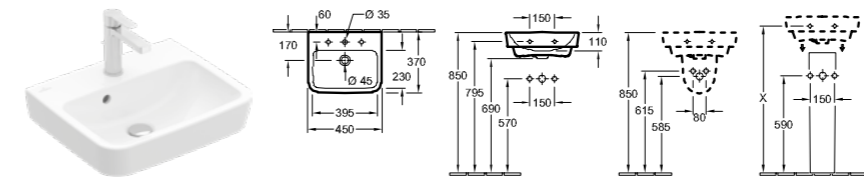


Article number	Description	01	plus R1	plus R3	plus T2	pcs/ pal.	kg/ pc.
4344 50 XX	500 x 370 mm	131,-	228,-	-	298,-	22	13
4344 51 XX	500 x 370 mm	131,-	228,-	-	298,-	22	13
4344 52 XX	500 x 370 mm	198,-	294,-	-	363,-	22	12,3
4344 53 XX	500 x 370 mm	198,-	294,-	-	363,-	22	13

wall-mounted, central basin
For further information about matching valves, see pages 106-107
Please note: unclosable outlet valve must be used with models without overflow

5265 00 XX	PEDESTAL	94,-	190,-	-	-	56	7,9
5267 00 XX	TRAP COVER fastening set included	109,-	204,-	-	-	64	4,8
9221 49 00	WASHBASIN INSTALLATION ELEMENT 525 x 1120 x 75 mm For further ViConnect models, see pages 92-105	-	-	-	-	226,-	10 8,1

HANDWASHBASIN



Article number	Description	01	plus R1	plus R3	plus T2	pcs/ pal.	kg/ pc.
4344 45 XX	450 x 370 mm	109,-	204,-	-	274,-	22	11,3
4344 46 XX	450 x 370 mm	109,-	204,-	-	274,-	22	11,3
4344 47 XX	450 x 370 mm	175,-	271,-	-	340,-	22	12
4344 48 XX	450 x 370 mm	175,-	271,-	-	340,-	22	11,8

wall-mounted, central basin
For further information about matching valves, see pages 106-107
Please note: unclosable outlet valve must be used with models without overflow

5265 00 XX	PEDESTAL	94,-	190,-	-	-	56	7,9
5267 00 XX	TRAP COVER fastening set included	109,-	204,-	-	-	64	4,8
9221 49 00	WASHBASIN INSTALLATION ELEMENT 525 x 1120 x 75 mm For further ViConnect models, see pages 92-105	-	-	-	-	226,-	10 8,1

XX = Colour code to be indicated
01 = White Alpin, R1 = White Alpin CeramicPlus, R3 = Pergamon CeramicPlus, T2 = White Alpin AntiBac CeramicPlus

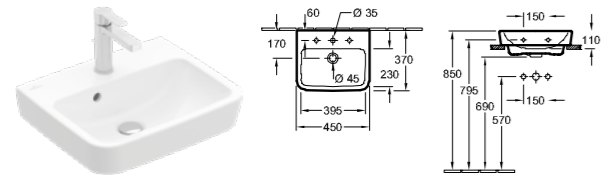
O.NOVO

GBP excl. VAT

Registered design
Please order tap fittings separately

HANDWASHBASIN

Flush-fit or surface-mounted variants



Article number	Description	01	plus R1	plus R3	plus T2	pcs/ pal.	kg/ pc.
4344 4G XX	450 x 370 mm	184,-	279,-	-	349,-	16	11,3
4344 4L XX	450 x 370 mm	184,-	279,-	-	349,-	16	11,3
4344 4J XX	450 x 370 mm	251,-	347,-	-	-	16	11,3
4344 4F XX	450 x 370 mm	251,-	347,-	-	-	16	11,3

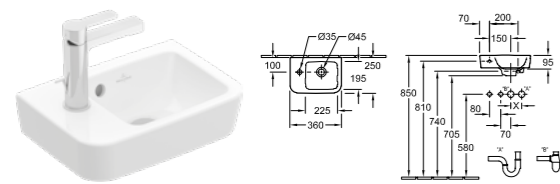
wall-mounted, Ground underside and rear, central basin, incl. installation instructions, incl. template

For further information about matching valves, see pages 106-107

Please note: unclosable outlet valve must be used with models without overflow

9221 49 00	WASHBASIN INSTALLATION ELEMENT 525 x 1120 x 75 mm For further ViConnect models, see pages 92-105	-	-	-	-	226,-	10	8,1
------------	---	---	---	---	---	-------	----	-----

HANDWASHBASIN COMPACT

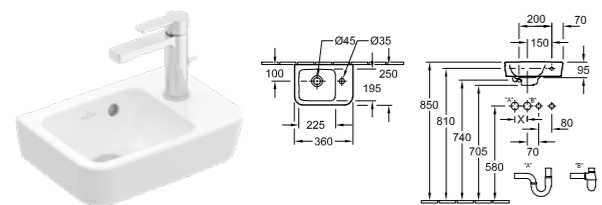


Article number	Description	01	plus R1	plus R3	plus T2	pcs/ pal.	kg/ pc.
4342 36 XX	360 x 250 mm	113,-	208,-	-	278,-	48	6,2
4342 37 XX	360 x 250 mm	113,-	208,-	-	278,-	48	6,2

wall-mounted, basin right

For further information about matching valves, see pages 106-107

HANDWASHBASIN COMPACT



Article number	Description	01	plus R1	plus R3	plus T2	pcs/ pal.	kg/ pc.
4343 36 XX	360 x 250 mm	113,-	208,-	-	278,-	48	6,4
4343 37 XX	360 x 250 mm	113,-	208,-	-	278,-	48	6,4

wall-mounted, basin left

For further information about matching valves, see pages 106-107

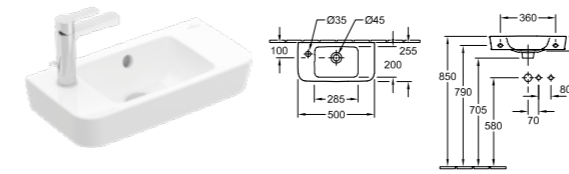
XX = Colour code to be indicated
01 = White Alpin, R1 = White Alpin CeramicPlus, R3 = Pergamon CeramicPlus, T2 = White Alpin AntiBac CeramicPlus

O.NOVO

GBP excl. VAT

Registered design
Please order tap fittings separately

HANDWASHBASIN COMPACT



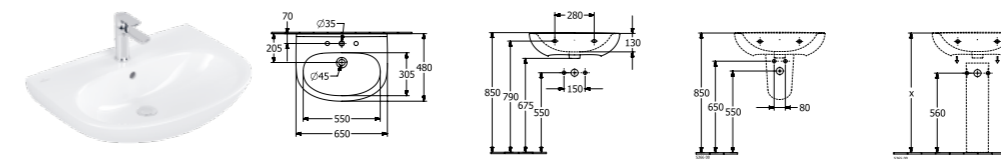
Article number	Description	01	plus R1	plus R3	plus T2	pcs/ pal.	kg/ pc.
4342 R5 XX	500 x 250 mm 1x	143,-	238,-	-	307,-	48	8,1
4342 L5 XX	500 x 250 mm 1x	143,-	238,-	-	307,-	48	8,1
4342 52 XX	500 x 250 mm	208,-	305,-	-	373,-	48	8,1
4342 53 XX	500 x 250 mm	208,-	305,-	-	373,-	48	8,1

wall-mounted, central basin

For further information about matching valves, see pages 106-107

9221 49 00	WASHBASIN INSTALLATION ELEMENT 525 x 1120 x 75 mm For further ViConnect models, see pages 92-105	-	-	-	-	226,-	10	8,1
------------	---	---	---	---	---	-------	----	-----

WASHBASIN



Article number	Description	01	plus R1	plus R3	plus T2	pcs/ pal.	kg/ pc.
4A40 65 XX	650 x 480 mm	190,-	284,-	-	-	14	16,5
4A40 66 XX	650 x 480 mm	190,-	284,-	-	-	14	16,5

wall-mounted, central basin

For further information about matching valves, see pages 106-107

Please note: unclosable outlet valve must be used with models without overflow

5265 00 XX	PEDESTAL	94,-	190,-	-	-	-	56	7,9
5266 00 XX	TRAP COVER fastening set included	112,-	207,-	231,-	-	-	40	8,4
9221 49 00	WASHBASIN INSTALLATION ELEMENT 525 x 1120 x 75 mm For further ViConnect models, see pages 92-105	-	-	-	-	226,-	10	8,1

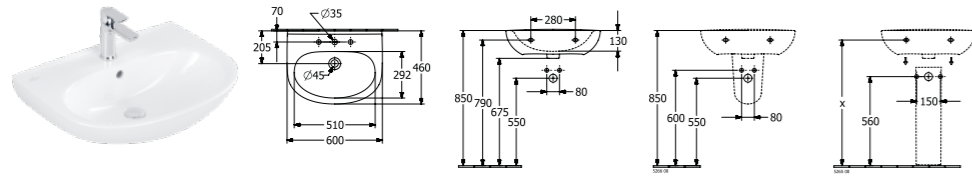
XX = Colour code to be indicated
01 = White Alpin, R1 = White Alpin CeramicPlus, R3 = Pergamon CeramicPlus, T2 = White Alpin AntiBac CeramicPlus

O.NOVO

GBP excl. VAT

Registered design
Please order tap fittings separately

WASHBASIN

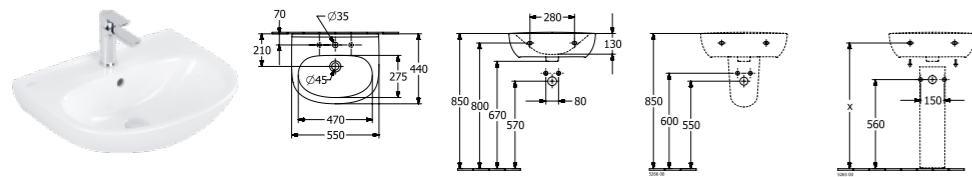


Article number	Description	01	plus R1	plus R3	plus T2	pcs/ pal.	kg/ pc.
4A40 60 XX	600 x 460 mm	150,-	245,-	275,-	-	-	16 15
4A40 61 XX	600 x 460 mm	150,-	245,-	-	-	-	16 15
4A40 62 XX	600 x 460 mm	215,-	311,-	-	-	-	16 15
4A40 63 XX	600 x 460 mm	215,-	311,-	-	-	-	16 15

wall-mounted, central basin
For further information about matching valves, see pages 106-107
Please note: unclosable outlet valve must be used with models without overflow

5265 00 XX	PEDESTAL	94,-	190,-	-	-	-	56 7,9
5266 00 XX	TRAP COVER fastening set included	112,-	207,-	231,-	-	-	40 8,4
9221 49 00	WASHBASIN INSTALLATION ELEMENT 525 x 1120 x 75 mm For further ViConnect models, see pages 92-105	-	-	-	-	226,-	10 8,1

WASHBASIN



Article number	Description	01	plus R1	plus R3	plus T2	pcs/ pal.	kg/ pc.
4A40 55 XX	550 x 440 mm	124,-	219,-	-	-	-	16 13,5
4A40 56 XX	550 x 440 mm	124,-	219,-	-	-	-	16 13,5
4A40 57 XX	550 x 440 mm	190,-	284,-	-	-	-	16 13,5
4A40 58 XX	550 x 440 mm	190,-	284,-	-	-	-	16 13,5

wall-mounted, central basin
For further information about matching valves, see pages 106-107
Please note: unclosable outlet valve must be used with models without overflow

5265 00 XX	PEDESTAL	94,-	190,-	-	-	-	56 7,9
5266 00 XX	TRAP COVER fastening set included	112,-	207,-	231,-	-	-	40 8,4
9221 49 00	WASHBASIN INSTALLATION ELEMENT 525 x 1120 x 75 mm For further ViConnect models, see pages 92-105	-	-	-	-	226,-	10 8,1

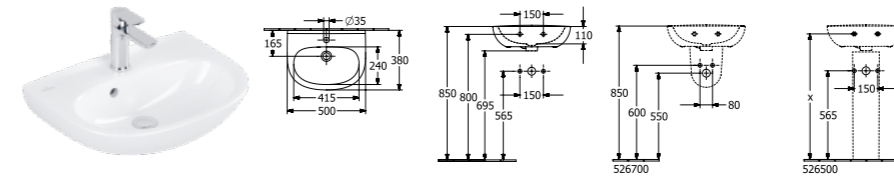
XX = Colour code to be indicated
01 = White Alpin, R1 = White Alpin CeramicPlus, R3 = Pergamon CeramicPlus, T2 = White Alpin AntiBac CeramicPlus

O.NOVO

GBP excl. VAT

Registered design
Please order tap fittings separately

HANDWASHBASIN

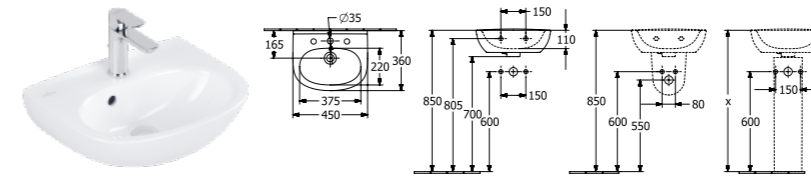


Article number	Description	01	plus R1	plus R3	plus T2	pcs/ pal.	kg/ pc.
4340 50 XX	500 x 380 mm	124,-	219,-	-	-	-	36 11
4340 51 XX	500 x 380 mm	124,-	219,-	-	-	-	36 11

wall-mounted, central basin
For further information about matching valves, see pages 106-107
Please note: unclosable outlet valve must be used with models without overflow

5265 00 XX	PEDESTAL	94,-	190,-	-	-	-	56 7,9
5267 00 XX	TRAP COVER fastening set included	109,-	204,-	-	-	-	64 4,8
9221 49 00	WASHBASIN INSTALLATION ELEMENT 525 x 1120 x 75 mm For further ViConnect models, see pages 92-105	-	-	-	-	226,-	10 8,1

HANDWASHBASIN



Article number	Description	01	plus R1	plus R3	plus T2	pcs/ pal.	kg/ pc.
4340 45 XX	450 x 360 mm	103,-	199,-	-	-	-	36 8,9
4340 46 XX	450 x 360 mm	103,-	199,-	-	-	-	36 8,9

wall-mounted, central basin
For further information about matching valves, see pages 106-107
Please note: unclosable outlet valve must be used with models without overflow

5265 00 XX	PEDESTAL	94,-	190,-	-	-	-	56 7,9
5267 00 XX	TRAP COVER fastening set included	109,-	204,-	-	-	-	64 4,8
9221 49 00	WASHBASIN INSTALLATION ELEMENT 525 x 1120 x 75 mm For further ViConnect models, see pages 92-105	-	-	-	-	226,-	10 8,1

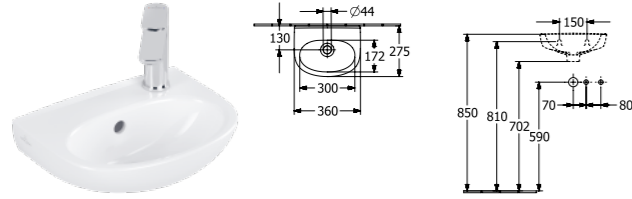
XX = Colour code to be indicated
01 = White Alpin, R1 = White Alpin CeramicPlus, R3 = Pergamon CeramicPlus, T2 = White Alpin AntiBac CeramicPlus

O.NOVO

GBP excl. VAT

Registered design
Please order tap fittings separately

HANDWASHBASIN

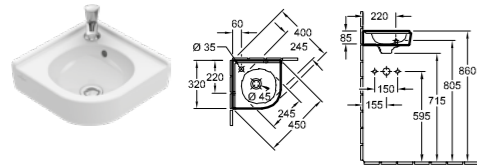


Article number	Description	01	plus R1	plus R3	plus T2	pcs/ pal.	kg/ pc.
4340 36 XX	360 x 275 mm suitable for 1-hole tap fittings, pre-punched tap holes on sides	116,-	211,-	-	-	48	5,6
4340 37 XX	360 x 275 mm suitable for 1-hole tap fittings, pre-punched tap holes on sides	116,-	211,-	-	-	48	5,6
4340 3R XX	360 x 275 mm suitable for 1-hole tap fittings, tap hole punched out on right	116,-	211,-	-	-	48	5,6
4340 3L XX	360 x 275 mm suitable for 1-hole tap fittings, tap hole punched out on left	116,-	211,-	-	-	48	5,6

wall-mounted, central basin
For further information about matching valves, see pages 106-107
Please note: unclosable outlet valve must be used with models without overflow

Article number	Description	01	plus R1	plus R3	plus T2	pcs/ pal.	kg/ pc.
9221 49 00	WASHBASIN INSTALLATION ELEMENT 525 x 1120 x 75 mm For further ViConnect models, see pages 92-105	-	-	-	-	226,-	10 8,1

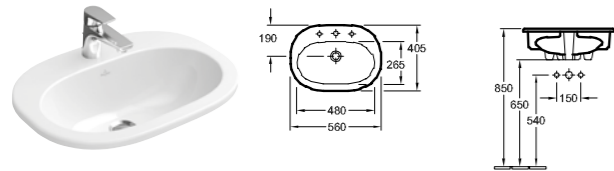
CORNER HANDWASHBASIN



Article number	Description	01	plus R1	plus R3	plus T2	pcs/ pal.	kg/ pc.
7310 32 XX	320 mm side length	149,-	244,-	-	-	51	6,9
7310 33 XX	320 mm side length	149,-	244,-	-	-	51	6,9

Corner installation
For further information about matching valves, see pages 106-107

BUILT-IN WASHBASIN



Article number	Description	01	plus R1	plus R3	plus T2	pcs/ pal.	kg/ pc.
4161 56 XX	560 x 405 mm	182,-	278,-	-	-	16	11,3
4161 57 XX	560 x 405 mm	182,-	278,-	-	-	16	12

built-in installation, incl. template
For further information about matching valves, see pages 106-107

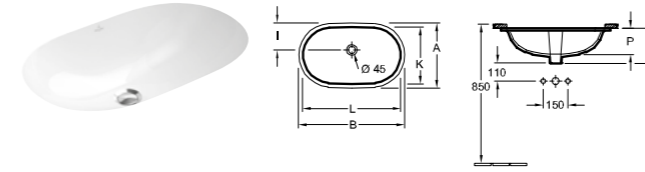
XX = Colour code to be indicated
01 = White Alpin, R1 = White Alpin CeramicPlus, R3 = Pergamon CeramicPlus, T2 = White Alpin AntiBac CeramicPlus

O.NOVO

GBP excl. VAT

Registered design
Please order tap fittings separately

UNDERCOUNTER WASHBASIN

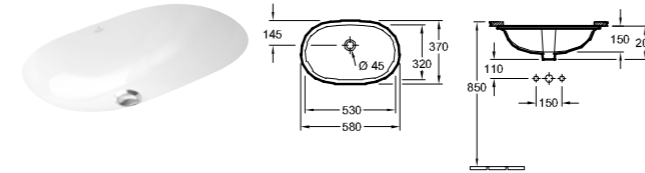


Article no.	A	B	I	K	L	M	P
416260XX	400	650	165	350	600	208	160

Article number	Description	01	plus R1	plus R3	plus T2	pcs/ pal.	kg/ pc.
4162 60 XX	600 x 350 mm without tap hole area	207,-	304,-	-	-	8	8,7

Undercounter, the hole for the washbasin can only be cut out using the original washbasin because tolerances of several millimetres are possible, installation possible in natural stone and laminate countertops, fastening set included
For further information about matching valves, see pages 106-107

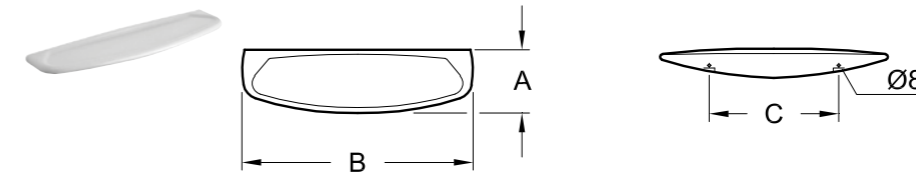
UNDERCOUNTER WASHBASIN



Article number	Description	01	plus R1	plus R3	plus T2	pcs/ pal.	kg/ pc.
4162 50 XX	530 x 320 mm without tap hole area	188,-	282,-	-	-	12	7,3

Undercounter, the hole for the washbasin can only be cut out using the original washbasin because tolerances of several millimetres are possible, installation possible in natural stone and laminate countertops, fastening set included
For further information about matching valves, see pages 106-107

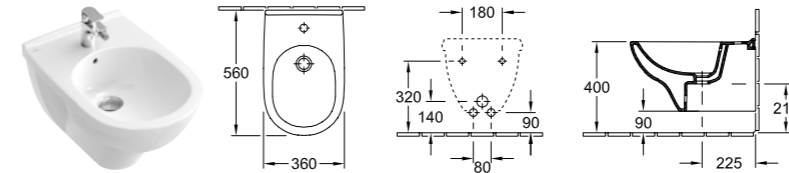
SHELF



Article no.	A	B	C
781860XX	165	600	330

Article number	Description	01	plus R1	plus R3	plus T2	pcs/ pal.	kg/ pc.
7818 60 XX	600 x 165 mm	185,-	280,-	-	-	120	3,6

BIDET



Article number	Description	01	plus R1	plus R3	plus T2	pcs/ pal.	kg/ pc.
5460 00 XX	360 x 560 mm	338,-	433,-	-	-	16	17

Article number	Description	01	plus R1	plus R3	plus T2	pcs/ pal.	kg/ pc.
9221 48 00	BIDET INSTALLATION SYSTEM 525 x 1120 x 100 mm For further ViConnect models, see pages 92-105	-	-	-	-	341,-	10 10,5

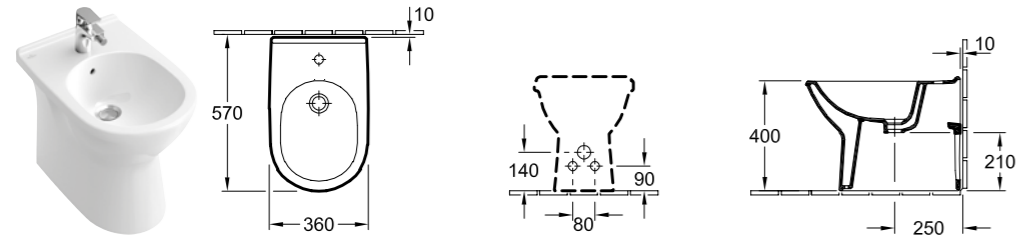
XX = Colour code to be indicated
01 = White Alpin, R1 = White Alpin CeramicPlus, R3 = Pergamon CeramicPlus, T2 = White Alpin AntiBac CeramicPlus

O.NOVO

GBP excl. VAT

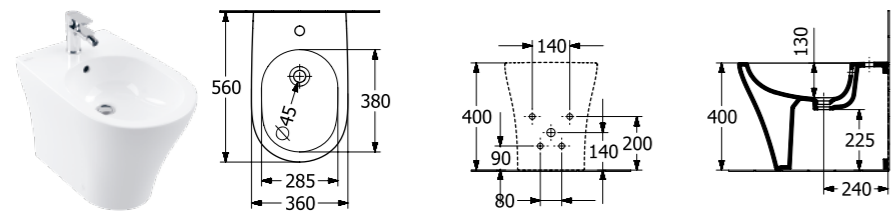
Registered design
Please order tap fittings separately

BIDET



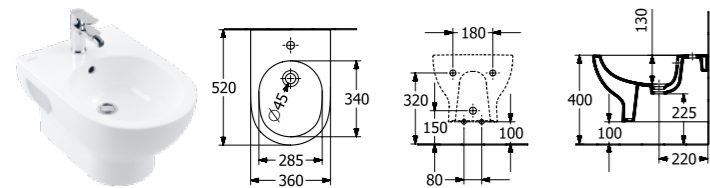
Article number	Description	01	plus R1	plus R3	plus T2	pcs/ pal.	kg/ pc.
5461 00 XX	360 x 560 mm	308,-	404,-	-	-	8	19,3
floor-standing, back to wall, with fastening set for concealed fastening							
9221 48 00	BIDET INSTALLATION SYSTEM 525 x 1120 x 100 mm For further ViConnect models, see pages 92-105	-	-	-	-	341,-	10 10,5

BIDET



Article number	Description	01	plus R1	plus R3	plus T2	pcs/ pal.	kg/ pc.
7433 00 XX	360 x 560 mm NEW	308,-	404,-	-	-	-	-
floor-standing, back to wall							
9221 48 00	BIDET INSTALLATION SYSTEM 525 x 1120 x 100 mm For further ViConnect models, see pages 92-105	-	-	-	-	341,-	10 10,5

BIDET



Article number	Description	01	plus R1	plus R3	plus T2	pcs/ pal.	kg/ pc.
5466 00 XX	360 x 560 mm NEW	338,-	433,-	-	-	-	-
wall-mounted							
9221 48 00	BIDET INSTALLATION SYSTEM 525 x 1120 x 100 mm For further ViConnect models, see pages 92-105	-	-	-	-	341,-	10 10,5

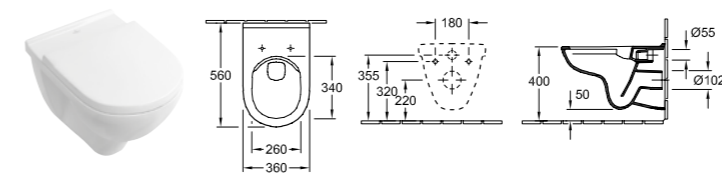
XX = Colour code to be indicated
01 = White Alpin, R1 = White Alpin CeramicPlus, R3 = Pergamon CeramicPlus, T2 = White Alpin AntiBac CeramicPlus

O.NOVO

GBP excl. VAT

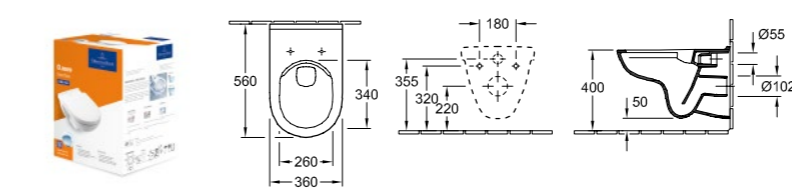
Registered design
Please order tap fittings separately

WASHDOWN TOILET, RIMLESS



Article number	Description	01	plus R1	plus R3	plus T2	pcs/ pal.	kg/ pc.
5660 R0 XX	360 x 560 mm Direct Flush AntiBac	276,-	374,-	-	444,-	14	18
wall-mounted, horizontal outlet, with water-saving AQUAREDUCT® system: flush volume 3 / 4,5 litres, not suitable for installation with flush valves							
9M38 S1 01	TOILET SEAT AND COVER with QuickRelease and SoftClosing hinges, hinges in stainless steel	118,-	-	-	-	108	2,4
9M39 61 01	TOILET SEAT AND COVER hinges in stainless steel	98,-	-	-	-	72	2,1
9222 87 00	VIPROTECT SOUNDPROOFING SET (optional) incl. accessories	-	-	-	-	26,-	600 0,1
9209 29 00	TOILET INSTALLATION SYSTEM for dry-wall construction, standard height 1120 mm, front operated 525 x 1120 x 135 mm For further ViConnect models, see pages 92-105	-	-	-	-	403,-	10 15,5

COMBI-PACK



Article number	Description	01	plus R1	plus R3	plus T2	pcs/ pal.	kg/ pc.
5660 HR XX	individual packaging materials, wall-mounted, horizontal outlet composed of: Washdown WC DirectFlush 5660 R0 XX, WC-seat with QuickRelease and Soft-Closing hinges 9M38 S1 01	417,-	514,-	-	-	12	19,1

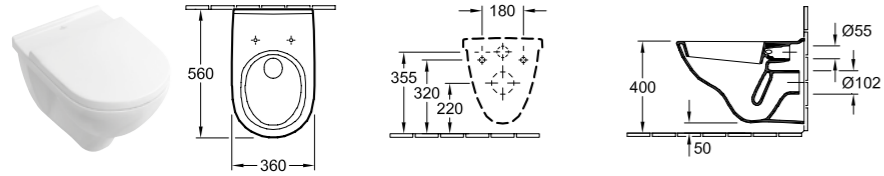
XX = Colour code to be indicated
01 = White Alpin, R1 = White Alpin CeramicPlus, R3 = Pergamon CeramicPlus, T2 = White Alpin AntiBac CeramicPlus

O.NOVO

GBP excl. VAT

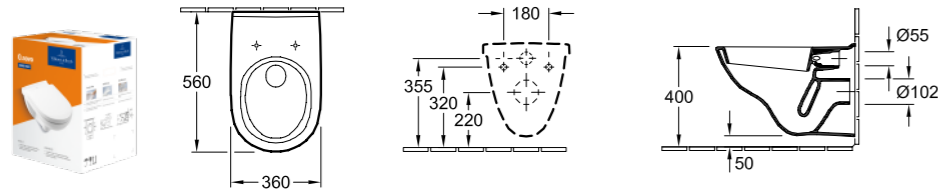
Registered design
Please order tap fittings separately

WASHDOWN TOILET



Article number	Description	01	plus R1	plus R3	plus T2		pcs/ pal.	kg/ pc.
5660 10 XX	360 x 560 mm	230,-	326,-	-	-	-	14	18
wall-mounted, horizontal outlet, with water-saving AQUAREDUCT® system: flush volume 3 / 4,5 litres								
9M38 S1 01	TOILET SEAT AND COVER with QuickRelease and SoftClosing hinges, hinges in stainless steel	118,-	-	-	-	-	108	2,4
9M39 61 01	TOILET SEAT AND COVER hinges in stainless steel	98,-	-	-	-	-	72	2,1
9222 87 00	VIPROTECT SOUNDPROOFING SET (optional) incl. accessories	-	-	-	-	26,-	600	0,1
9209 29 00	TOILET INSTALLATION SYSTEM for dry-wall construction, standard height 1120 mm, front operated 525 x 1120 x 135 mm For further ViConnect models, see pages 92-105	-	-	-	-	403,-	10	15,5

COMBI-PACK



Article number	Description	01	plus R1	plus R3	plus T2		pcs/ pal.	kg/ pc.
5660 H1 XX	individual packaging materials, wall-mounted, horizontal outlet composed of: Washdown WC 5660 10 XX, WC-seat with QuickRelease and SoftClosing hinges 9M38 S1 01	363,-	458,-	-	-	-	12	15,5

XX = Colour code to be indicated
01 = White Alpin, R1 = White Alpin CeramicPlus, R3 = Pergamon CeramicPlus, T2 = White Alpin AntiBac CeramicPlus

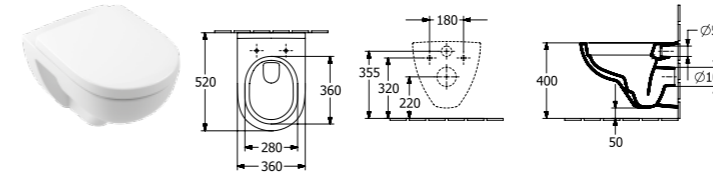
O.NOVO

GBP excl. VAT

Registered design
Please order tap fittings separately

WASHDOWN TOILET, RIMLESS

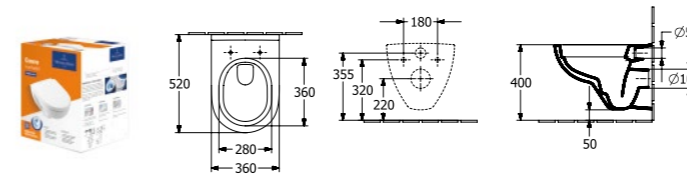
TwistFlush, D-Shape



Article number	Description	01	plus R1	plus R3	plus T2		pcs/ pal.	kg/ pc.
5660 C0 XX	360 x 520 mm	269,-	361,-	-	-	-	14	18,9
wall-mounted, horizontal outlet, with water-saving AQUAREDUCT® system: flush volume 3 / 4,5 litres, not suitable for installation with flush valves								
9M38 S1 01	TOILET SEAT AND COVER with QuickRelease and SoftClosing hinges, hinges in stainless steel	118,-	-	-	-	-	108	2,4
8M82 S1 01	TOILET SEAT AND COVER SLIMSEAT with QuickRelease and SoftClosing hinges, hinges in stainless steel	137,-	-	-	-	-	108	
9M39 61 01	TOILET SEAT AND COVER hinges in stainless steel	98,-	-	-	-	-	72	2,1
9222 87 00	VIPROTECT SOUNDPROOFING SET (optional) incl. accessories	-	-	-	-	26,-	600	0,1
9209 29 00	TOILET INSTALLATION SYSTEM for dry-wall construction, standard height 1120 mm, front operated 525 x 1120 x 135 mm For further ViConnect models, see pages 92-105	-	-	-	-	403,-	10	15,5

COMBI-PACK

TwistFlush



Article number	Description	01	plus R1	plus R3	plus T2		pcs/ pal.	kg/ pc.
5660 CL XX	individual packaging materials, wall-mounted, horizontal outlet composed of: Washdown WC TwistFlush[e*] 5660 C0 XX, WC-seat with QuickRelease and SoftClosing hinges 9M38 S1 01	405,-	499,-	-	-	-	12	16,3

XX = Colour code to be indicated
01 = White Alpin, R1 = White Alpin CeramicPlus, R3 = Pergamon CeramicPlus, T2 = White Alpin AntiBac CeramicPlus

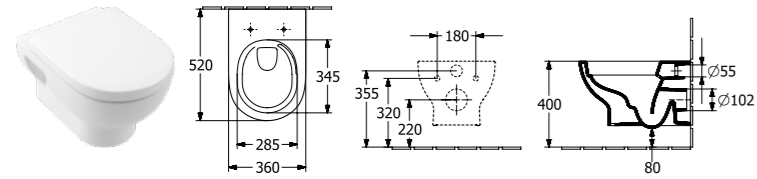
O.NOVO

GBP excl. VAT

Registered design
Please order tap fittings separately

WASHDOWN TOILET, RIMLESS

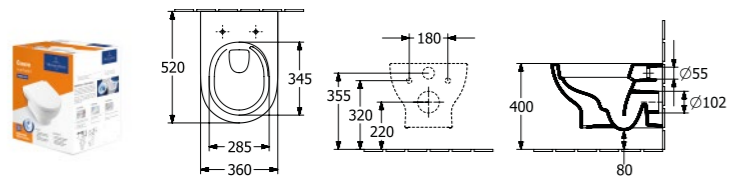
TwistFlush, Tulip-Shape



Article number	Description	01	plus R1	plus R3	plus T2	pcs/ pal.	kg/ pc.
5C39 C0 XX	360 x 520 mm	315,-	408,-	-	-	14	21,7
wall-mounted, horizontal outlet, with water-saving AQUAREDUCT® system: flush volume 3 / 4,5 litres, not suitable for installation with flush valves							
9M38 S1 01	TOILET SEAT AND COVER with QuickRelease and SoftClosing hinges, hinges in stainless steel	118,-	-	-	-	108	2,4
8M82 S1 01	TOILET SEAT AND COVER SLIMSEAT with QuickRelease and SoftClosing hinges, hinges in stainless steel	137,-	-	-	-	108	
9M39 61 01	TOILET SEAT AND COVER hinges in stainless steel	98,-	-	-	-	72	2,1
9222 87 00	VIPROTECT SOUNDPROOFING SET (optional) incl. accessories	-	-	-	-	26,-	600 0,1
9209 29 00	TOILET INSTALLATION SYSTEM for dry-wall construction, standard height 1120 mm, front operated 525 x 1120 x 135 mm For further ViConnect models, see pages 92-105	-	-	-	-	403,-	10 15,5

COMBI-PACK

TwistFlush



Article number	Description	01	plus R1	plus R3	plus T2	pcs/ pal.	kg/ pc.
5C39 CL XX	individual packaging materials, wall-mounted, horizontal outlet composed of: Washdown WC TwistFlush[e*] 5C39 C0 01, WC-seat with QuickRelease and SoftClosing hinges 9M38 S1 01	530,-	623,-	-	-	12	16,3

XX = Colour code to be indicated
01 = White Alpin, R1 = White Alpin CeramicPlus, R3 = Pergamon CeramicPlus, T2 = White Alpin AntiBac CeramicPlus

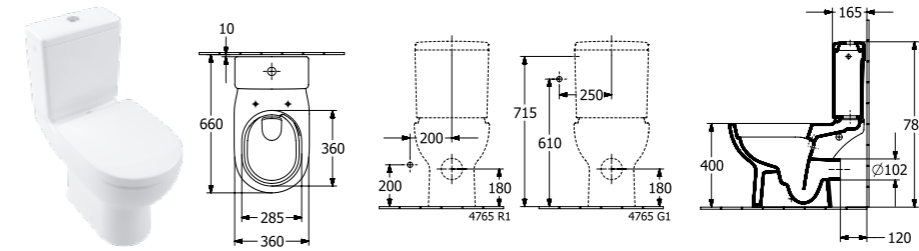
O.NOVO

GBP excl. VAT

Registered design
Please order tap fittings separately

WASHDOWN TOILET FOR CLOSE-COUPLED WC-SUITE, RIMLESS

TwistFlush



Article number	Description	01	plus R1	plus R3	plus T2	pcs/ pal.	kg/ pc.
5661 C0 XX	360 x 670 mm	245,-	-	-	-	8	22
floor-standing, horizontal outlet, with water-saving AQUAREDUCT® system: flush volume 3 / 4,5 litres, not suitable for installation with flush valves							
5760 61 XX	CISTERN fastening set included, water inlet from the sides or rear, flushing mechanism with DualFlush water-saving button, chrome	195,-	-	-	-	20	13,8
5760 71 XX	CISTERN fastening set included, bottom water inlet, flushing mechanism with DualFlush water-saving button, chrome	195,-	-	-	-	20	13,8
9M38 S1 01	TOILET SEAT AND COVER with QuickRelease and SoftClosing hinges, hinges in stainless steel	118,-	-	-	-	108	2,4
9M39 61 01	TOILET SEAT AND COVER hinges in stainless steel	98,-	-	-	-	72	2,1

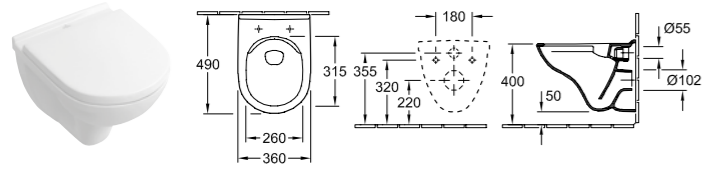
XX = Colour code to be indicated
01 = White Alpin, R1 = White Alpin CeramicPlus, R3 = Pergamon CeramicPlus, T2 = White Alpin AntiBac CeramicPlus

O.NOVO

GBP excl. VAT

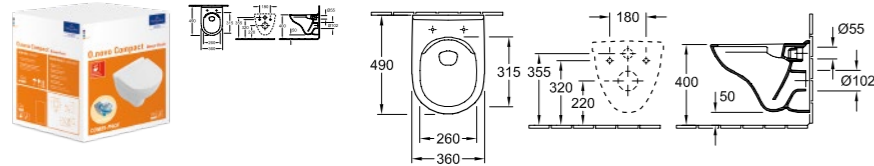
Registered design
Please order tap fittings separately

WASHDOWN TOILET COMPACT, RIMLESS DirectFlush



Article number	Description	01	plus R1	plus R3	plus T2	pcs/ pal.	kg/ pc.
5688 R0 XX	360 x 490 mm	349,-	444,-	-	-	14	15,6
wall-mounted, horizontal outlet, with water-saving AQUAREDUCT® system: flush volume 3 / 4,5 litres, not suitable for installation with flush valves							
9M38 S1 01	TOILET SEAT AND COVER with QuickRelease and SoftClosing hinges, hinges in stainless steel	118,-	-	-	-	108	2,4
9M40 61 01	TOILET SEAT AND COVER hinges in stainless steel	98,-	-	-	-	216	2,2
9M71 61 01	SEAT hinges in stainless steel	92,-	-	-	-	108	0,9
9222 87 00	VIPROTECT SOUNDPROOFING SET (optional) incl. accessories	-	-	-	-	26,-	600, 0,1
9209 29 00	TOILET INSTALLATION SYSTEM for dry-wall construction, standard height 1120 mm, front operated 525 x 1120 x 135 mm For further ViConnect models, see pages 92-105	-	-	-	-	403,-	10, 15,5

COMBI-PACK DirectFlush



Article number	Description	01	plus R1	plus R3	plus T2	pcs/ pal.	kg/ pc.
5688 HR XX	individual packaging materials, wall-mounted, horizontal outlet composed of: Washdown WC Compact DirectFlush 5688 R0 XX, WC-seat with QuickRelease and SoftClosing hinges 9M38 S1 01	430,-	524,-	-	-	12	16,3

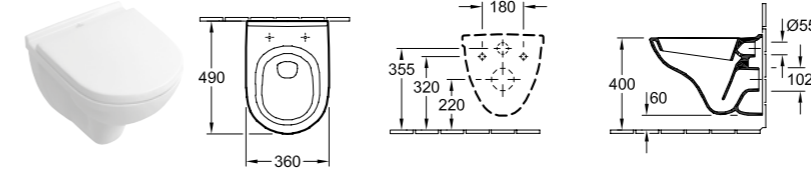
XX = Colour code to be indicated
01 = White Alpin, R1 = White Alpin CeramicPlus, R3 = Pergamon CeramicPlus, T2 = White Alpin AntiBac CeramicPlus

O.NOVO

GBP excl. VAT

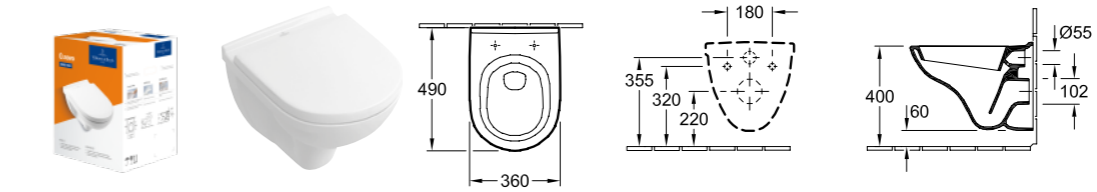
Registered design
Please order tap fittings separately

WASHDOWN TOILET COMPACT



Article number	Description	01	plus R1	plus R3	plus T2	pcs/ pal.	kg/ pc.
5688 10 XX	360 x 490 mm	295,-	391,-	-	-	14	14
wall-mounted, horizontal outlet, with water-saving AQUAREDUCT® system: flush volume 3 / 4,5 litres							
9M38 S1 01	TOILET SEAT AND COVER with QuickRelease and SoftClosing hinges, hinges in stainless steel	118,-	-	-	-	108	2,4
9M40 61 01	TOILET SEAT AND COVER hinges in stainless steel	98,-	-	-	-	216	2,2
9222 87 00	VIPROTECT SOUNDPROOFING SET (optional) incl. accessories	-	-	-	-	26,-	600, 0,1
9209 29 00	TOILET INSTALLATION SYSTEM for dry-wall construction, standard height 1120 mm, front operated 525 x 1120 x 135 mm For further ViConnect models, see pages 92-105	-	-	-	-	403,-	10, 15,5

COMBI-PACK



Article number	Description	01	plus R1	plus R3	plus T2	pcs/ pal.	kg/ pc.
5688 H1 XX	individual packaging materials, wall-mounted, horizontal outlet composed of: Washdown WC compact 5688 10 XX, WC-seat with QuickRelease and SoftClosing hinges 9M38 S1 01	461,-	556,-	-	-	12	17,4

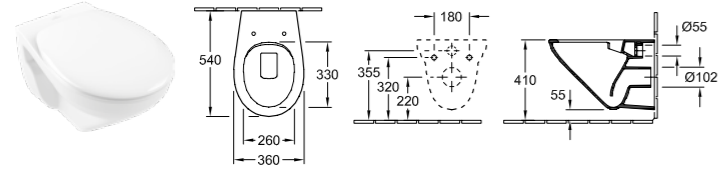
XX = Colour code to be indicated
01 = White Alpin, R1 = White Alpin CeramicPlus, R3 = Pergamon CeramicPlus, T2 = White Alpin AntiBac CeramicPlus

O.NOVO

GBP excl. VAT

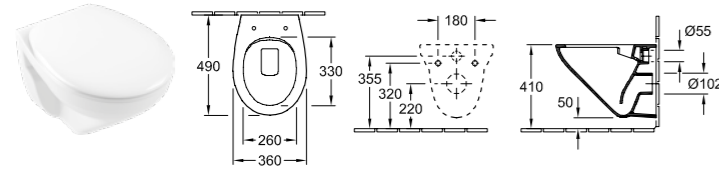
Registered design
Please order tap fittings separately

WASHDOWN TOILET, RIMLESS DirectFlush



Article number	Description	01	plus R1	plus R3	plus T2	pcs/ pal.	kg/ pc.
7682 R0 XX	360 x 540 mm	555,-	650,-	761,-	-	14	16,8
wall-mounted, horizontal outlet, with water-saving AQUAREDUCT® system: flush volume 3 / 4,5 litres, not suitable for installation with flush valves							
8M43 S1 01	TOILET SEAT AND COVER with QuickRelease and SoftClosing hinges, hinges in stainless steel	137,-	-	-	-	72	2,4
8M43 61 01	TOILET SEAT AND COVER hinges in stainless steel	126,-	-	-	-		2
9222 87 00	VIPROTECT SOUNDPROOFING SET (optional) incl. accessories	-	-	-	-	26,-	600 0,1
9209 29 00	TOILET INSTALLATION SYSTEM for dry-wall construction, standard height 1120 mm, front operated 525 x 1120 x 135 mm For further ViConnect models, see pages 92-105	-	-	-	-	403,-	10 15,5

WASHDOWN TOILET COMPACT, RIMLESS DirectFlush



Article number	Description	01	plus R1	plus R3	plus T2	pcs/ pal.	kg/ pc.
7667 R0 XX	360 x 490 mm	555,-	-	-	-	14	14,2
wall-mounted, horizontal outlet, with water-saving AQUAREDUCT® system: flush volume 3 / 4,5 litres							
8M43 S1 01	TOILET SEAT AND COVER with QuickRelease and SoftClosing hinges, hinges in stainless steel	137,-	-	-	-	72	2,4
8M43 61 01	TOILET SEAT AND COVER hinges in stainless steel	126,-	-	-	-		2
9222 87 00	VIPROTECT SOUNDPROOFING SET (optional) incl. accessories	-	-	-	-	26,-	600 0,1
9209 29 00	TOILET INSTALLATION SYSTEM for dry-wall construction, standard height 1120 mm, front operated 525 x 1120 x 135 mm For further ViConnect models, see pages 92-105	-	-	-	-	403,-	10 15,5

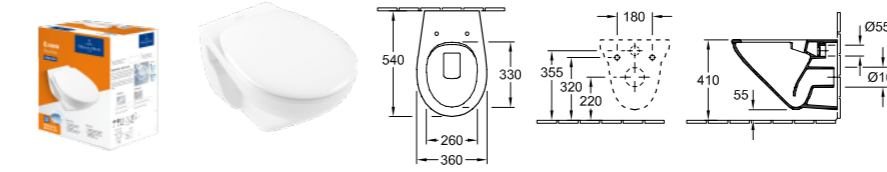
XX = Colour code to be indicated
01 = White Alpin, R1 = White Alpin CeramicPlus, R3 = Pergamon CeramicPlus, T2 = White Alpin AntiBac CeramicPlus

O.NOVO

GBP excl. VAT

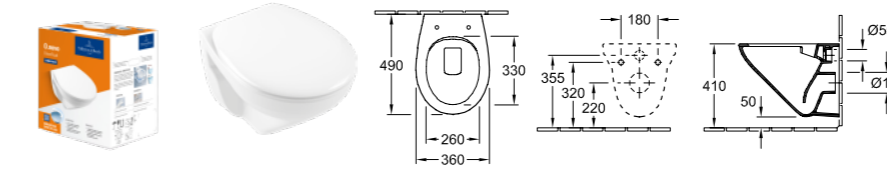
Registered design
Please order tap fittings separately

COMBI-PACK DirectFlush



Article number	Description	01	plus R1	plus R3	plus T2	pcs/ pal.	kg/ pc.
7682 HR XX	individual packaging materials, wall-mounted, horizontal outlet composed of: Washdown WC DirectFlush 7682 R0 XX, WC-seat and cover with QuickRelease and SoftClosing hinges 8M43 S1	430,-	-	-	-	12	17,9

COMBI-PACK DirectFlush



Article number	Description	01	plus R1	plus R3	plus T2	pcs/ pal.	kg/ pc.
7667 HR XX	individual packaging materials, wall-mounted, horizontal outlet composed of: Washdown WC DirectFlush 7667 R0 XX, WC-seat and cover with QuickRelease and SoftClosing hinges 8M43 S1	430,-	-	-	-	12	14,6

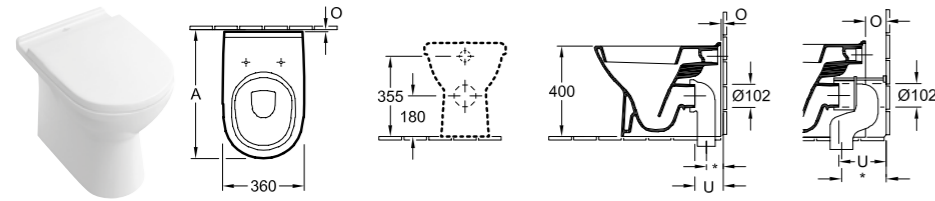
XX = Colour code to be indicated
01 = White Alpin, R1 = White Alpin CeramicPlus, R3 = Pergamon CeramicPlus, T2 = White Alpin AntiBac CeramicPlus

O.NOVO

Registered design
Please order tap fittings separately

WASHDOWN TOILET

* P1 is only available for WC-Seat ViCare

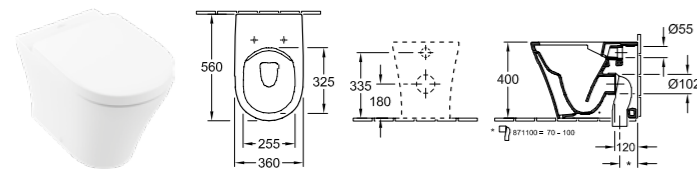


	A	O	U	*
90°	570	10	125	70
8701	570	10	125	110
8701	650	90	205	150 - 210
8711	650	90	205	70 - 150

Article number	Description	01	R1	R3	P1	T2	pcs/pal.	kg/pc.
5657 10 XX	360 x 560 mm	225,-	319,-	-	-	-	8	21,8
floor-standing, back to wall, horizontal outlet, with fastening set for concealed fastening, with water-saving AQUAREDUCT® system: flush volume 3 / 4,5 litres								
9M38 S1 01	TOILET SEAT AND COVER with QuickRelease and SoftClosing hinges, hinges in stainless steel	118,-	-	-	-	-	108	2,4
9M39 61 01	TOILET SEAT AND COVER hinges in stainless steel	98,-	-	-	-	-	72	2,1
8701 00 00	VARIO DRAINBEND for vertical outlet for installation close to the wall 110 mm	-	-	-	-	139,-	100	0,7
8701 00 00	VARIO DRAINBEND for vertical outlet for installation from wall 90 mm 150 - 210 mm	-	-	-	-	178,-	100	0,7
8711 00 00	VARIO DRAINBEND for vertical outlet for installation from wall 90 mm 70 - 150 mm	-	-	-	-	139,-	100	0,7

WASHDOWN TOILET, RIMLESS

Tulip, DirectFlush



Article number	Description	01	R1	R3	P1	T2	pcs/pal.	kg/pc.
4624 R0 XX	360 x 560 x 400 mm	308,-	-	-	-	-	6	28,2
floor-standing, horizontal outlet, fastening set included, with water-saving AQUAREDUCT® system: flush volume 3 / 4,5 litres								
9M38 S1 01	TOILET SEAT AND COVER with QuickRelease and SoftClosing hinges, hinges in stainless steel	118,-	-	-	-	-	108	2,4
8711 00 00	VARIO DRAINBEND for vertical outlet for installation close to the wall 70 - 100 mm	-	-	-	-	139,-	100	0,7

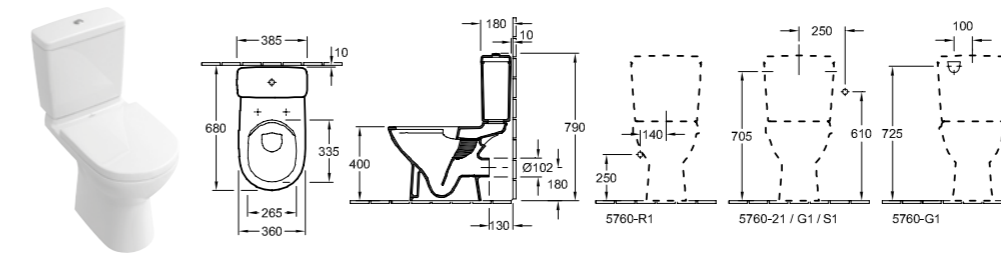
XX = Colour code to be indicated
01 = White Alpin, R1 = White Alpin CeramicPlus, R3 = Pergamon CeramicPlus, T2 = White Alpin AntiBac CeramicPlus

O.NOVO

Registered design
Please order tap fittings separately

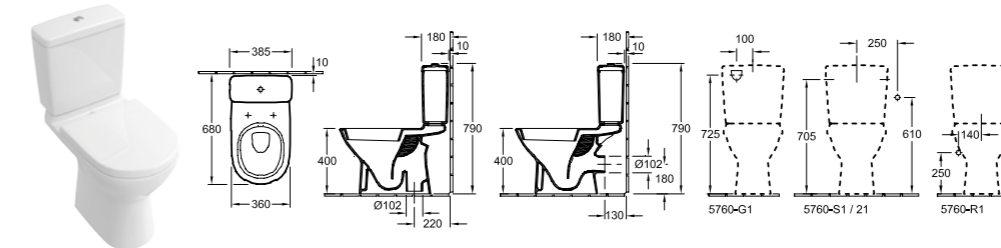
WASHDOWN TOILET FOR CLOSE-COUPLED WC-SUITE, RIMLESS

DirectFlush



Article number	Description	01	R1	R3	T2	pcs/pal.	kg/pc.	
5661 R0 XX	360 x 670 mm	245,-	-	-	-	8	22	
floor-standing, horizontal outlet, with fastening set for concealed fastening, with water-saving AQUAREDUCT® system: flush volume 3 / 4,5 litres								
5760 61 XX	CISTERN fastening set included, water inlet from the sides or rear, flushing mechanism with DualFlush water-saving button, chrome	195,-	-	-	-	20	13,8	
5760 71 XX	CISTERN fastening set included, bottom water inlet, flushing mechanism with DualFlush water-saving button, chrome	195,-	-	-	-	20	13,8	
9M38 S1 01	TOILET SEAT AND COVER with QuickRelease and SoftClosing hinges, hinges in stainless steel	118,-	-	-	-	108	2,4	
9M39 61 01	TOILET SEAT AND COVER hinges in stainless steel	98,-	-	-	-	72	2,1	

WASHDOWN TOILET FOR CLOSE-COUPLED WC-SUITE



Article number	Description	01	R1	R3	T2	pcs/pal.	kg/pc.	
5661 10 XX	360 x 670 mm horizontal outlet	195,-	290,-	-	-	8	22,3	
5661 01 XX	360 x 670 mm vertical outlet	259,-	354,-	-	-	8	22,3	
floor-standing, with fastening set for concealed fastening, with water-saving AQUAREDUCT® system: flush volume 3 / 4,5 litres								
5760 61 XX	CISTERN fastening set included, water inlet from the sides or rear, flushing mechanism with DualFlush water-saving button, chrome	195,-	-	-	-	20	13,8	
5760 71 XX	CISTERN fastening set included, bottom water inlet, flushing mechanism with DualFlush water-saving button, chrome	195,-	-	-	-	20	13,8	
9M38 S1 01	TOILET SEAT AND COVER with QuickRelease and SoftClosing hinges, hinges in stainless steel	118,-	-	-	-	108	2,4	
9M39 61 01	TOILET SEAT AND COVER hinges in stainless steel	98,-	-	-	-	72	2,1	

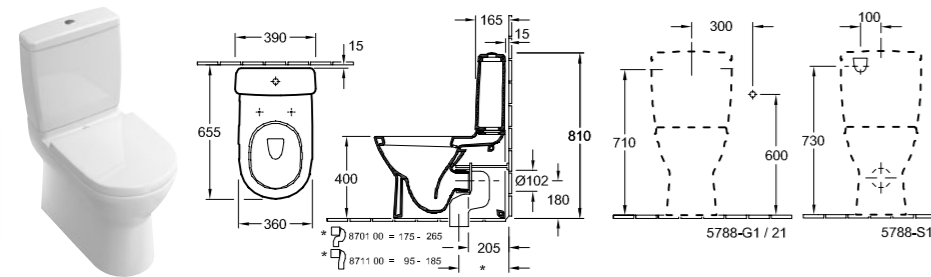
XX = Colour code to be indicated
01 = White Alpin, R1 = White Alpin CeramicPlus, R3 = Pergamon CeramicPlus, T2 = White Alpin AntiBac CeramicPlus

O.NOVO

GBP excl. VAT

Registered design
Please order tap fittings separately

WASHDOWN TOILET FOR CLOSE-COUPLED WC-SUITE



Article number	Description	01	plus R1	plus R3	plus T2	pcs/ pal.	kg/ pc.
5658 10 XX	360 x 640 mm	303,-	398,-	-	-	6	32,8
floor-standing, back to wall, horizontal outlet, with fastening set for concealed fastening, with water-saving AQUAREDUCT® system: flush volume 3 / 4,5 litres, recommendation: to be installed from the wall at: 15 mm							
5788 61 XX	CISTERN water inlet from the sides or rear, flushing mechanism with DualFlush water-saving button, chrome	230,-	-	-	-	20	12,1
5788 71 XX	CISTERN bottom water inlet, flushing mechanism with DualFlush water-saving button, chrome	162,-	-	-	-	20	12,2
9M38 S1 01	TOILET SEAT AND COVER with QuickRelease and SoftClosing hinges, hinges in stainless steel	118,-	-	-	-	108	2,4
9M40 61 01	TOILET SEAT AND COVER hinges in stainless steel	98,-	-	-	-	216	2,2
8701 00 00	VARIO DRAINBEND for vertical outlet 175 - 265 mm	-	-	-	-	139,-	100 0,7
8711 00 00	VARIO DRAINBEND for vertical outlet 95 - 185 mm	-	-	-	-	139,-	100 0,7

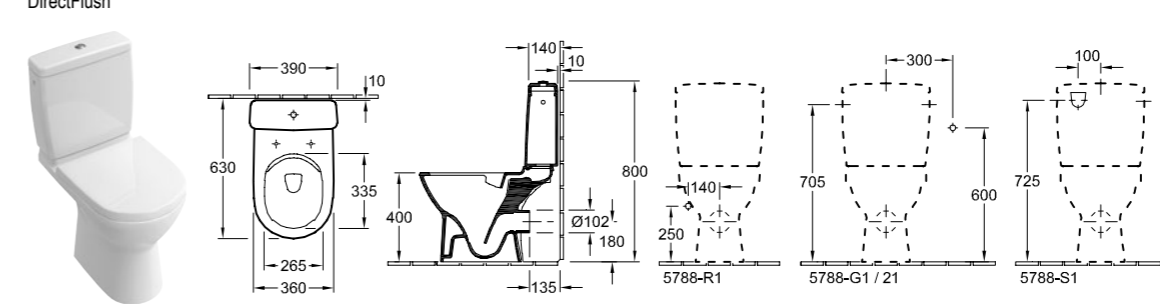
XX = Colour code to be indicated
01 = White Alpin, R1 = White Alpin CeramicPlus, R3 = Pergamon CeramicPlus, T2 = White Alpin AntiBac CeramicPlus

O.NOVO

GBP excl. VAT

Registered design
Please order tap fittings separately

WASHDOWN TOILET FOR CLOSE-COUPLED WC-SUITE, RIMLESS COMPACT



Article number	Description	01	plus R1	plus R3	plus T2	pcs/ pal.	kg/ pc.
5689 R0 XX	360 x 605 mm	305,-	400,-	-	-	8	21
floor-standing, horizontal outlet, with fastening set for concealed fastening, with water-saving AQUAREDUCT® system: flush volume 3 / 4,5 litres, Note on dimensions: 360 x 630 mm with cistern mounted and appropriate distance from wall							
5788 61 XX	CISTERN water inlet from the sides or rear, flushing mechanism with DualFlush water-saving button, chrome	230,-	-	-	-	20	12,1
5788 71 XX	CISTERN bottom water inlet, flushing mechanism with DualFlush water-saving button, chrome	162,-	-	-	-	20	12,2
9M38 S1 01	TOILET SEAT AND COVER with QuickRelease and SoftClosing hinges, hinges in stainless steel	118,-	-	-	-	108	2,4
9M39 61 01	TOILET SEAT AND COVER hinges in stainless steel	98,-	-	-	-	72	2,1

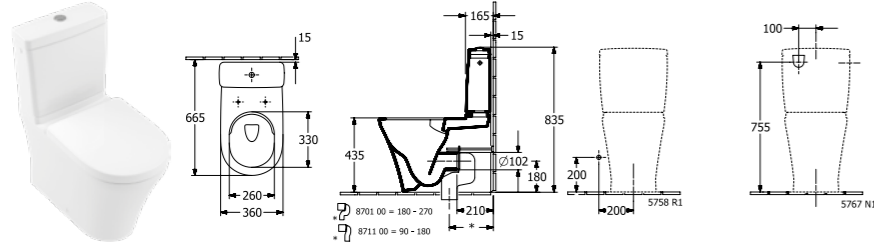
XX = Colour code to be indicated
01 = White Alpin, R1 = White Alpin CeramicPlus, R3 = Pergamon CeramicPlus, T2 = White Alpin AntiBac CeramicPlus

O.NOVO

GBP excl. VAT

Registered design
Please order tap fittings separately

WASHDOWN TOILET FOR CLOSE-COUPLED WC-SUITE, RIMLESS DirectFlush



Article number	Description	01	plus R1	plus R3	plus T2	pcs/pal.	kg/pc.
4606 R0 XX	360 x 665 mm	405,-	-	-	-	6	34,7
floor-standing, back to wall, horizontal outlet, with fastening set for concealed fastening, with water-saving AQUAREDUCT® system: flush volume 3 / 4,5 litres, recommendation: to be installed from the wall at: 15 mm							
5788 71 XX	CISTERN bottom water inlet, flushing mechanism with DualFlush water-saving button, chrome	162,-	-	-	-	20	12,2
5788 61 XX	CISTERN water inlet from the sides or rear, flushing mechanism with DualFlush water-saving button, chrome	230,-	-	-	-	20	12,1
9M38 S1 01	TOILET SEAT AND COVER with QuickRelease and SoftClosing hinges, hinges in stainless steel	118,-	-	-	-	108	2,4
8701 00 00	VARIO DRAINBEND for vertical outlet for installation from wall 15 mm 180 - 270 mm	-	-	-	-	139,-	100 0,7
8711 00 00	VARIO DRAINBEND for vertical outlet for installation from wall 15 mm 90 - 180 mm	-	-	-	-	139,-	100 0,7

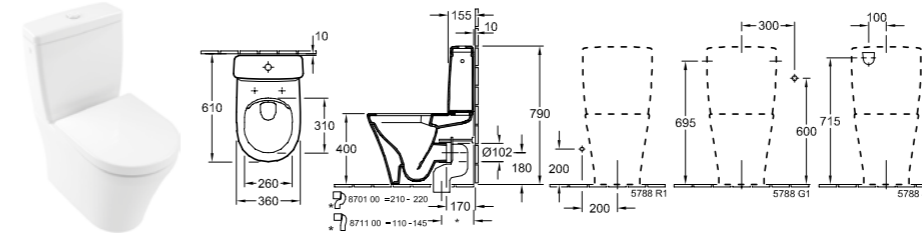
XX = Colour code to be indicated
01 = White Alpin, R1 = White Alpin CeramicPlus, R3 = Pergamon CeramicPlus, T2 = White Alpin AntiBac CeramicPlus

O.NOVO

GBP excl. VAT

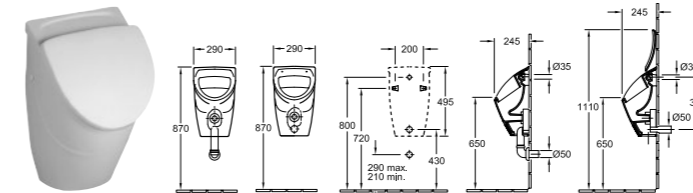
Registered design
Please order tap fittings separately

WASHDOWN TOILET FOR CLOSE-COUPLED WC-SUITE, RIMLESS DirectFlush



Article number	Description	01	plus R1	plus R3	plus T2	pcs/pal.	kg/pc.
4625 R0 XX	360 x 610 mm	265,-	357,-	-	-	8	29,4
Compact, floor-standing, back to wall, horizontal outlet, with fastening set for concealed fastening, with water-saving AQUAREDUCT® system: flush volume 3 / 4,5 litres, recommendation: to be installed from the wall at: 10 mm							
5788 71 XX	CISTERN bottom water inlet, flushing mechanism with DualFlush water-saving button, chrome	162,-	-	-	-	20	12,2
5788 61 XX	CISTERN water inlet from the sides or rear, flushing mechanism with DualFlush water-saving button, chrome	230,-	-	-	-	20	12,1
8M36 S1 01	TOILET SEAT AND COVER with QuickRelease and SoftClosing hinges, hinges in stainless steel	156,-	-	-	-	84	2,2
8701 00 00	VARIO DRAINBEND for vertical outlet 205 mm 175 - 265 mm	-	-	-	-	139,-	100 0,7
8711 00 00	VARIO DRAINBEND for vertical outlet 205 mm 110 - 145 mm	-	-	-	-	139,-	100 0,7

SIPHONIC URINAL COMPACT



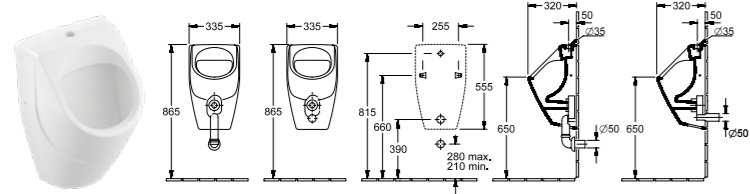
Article number	Description	01	plus R1	plus R3	plus T2	pcs/pal.	kg/pc.
7557 01 XX	290 x 495 x 245 mm for cover	578,-	673,-	-	-	15	10,9
7557 06 XX	290 x 495 x 245 mm with target for cover	658,-	754,-	-	-	15	10,9
7557 00 XX	290 x 495 x 245 mm without cover	501,-	596,-	-	-	15	10,9
7557 05 XX	290 x 495 x 245 mm with target without cover	581,-	677,-	-	-	15	10,9
fastening set included, concealed water inlet, Outlet may be concealed depending on the type of extractor section							
8847 61 01	COVER chrome hinges	232,-	-	-	-	90	1,5
9326 00 00	EXTRACTOR horizontal outlet, Flush volume: 1,0 l (optional)	-	-	-	-	101,-	320 0,1
9327 00 00	EXTRACTOR vertical outlet (test), Flush volume: 1,0 l (optional)	-	-	-	-	101,-	90 0,2
9319 00 00	CONNECTION PIECES comprising: collar, outlet elbow, drain pipe 150 mm long (optional)	-	-	-	-	145,-	0,2
9933 00 00	WATER-INLET CONNECTOR (optional)	-	-	-	-	60,-	200 0,1
9219 89 00	URINAL INSTALLATION SYSTEM 525 x 1120 x 98 mm For further ViConnect models, see pages 92-105	-	-	-	-	370,-	10 8,1

XX = Colour code to be indicated
01 = White Alpin, R1 = White Alpin CeramicPlus, R3 = Pergamon CeramicPlus, T2 = White Alpin AntiBac CeramicPlus

O.NOVO

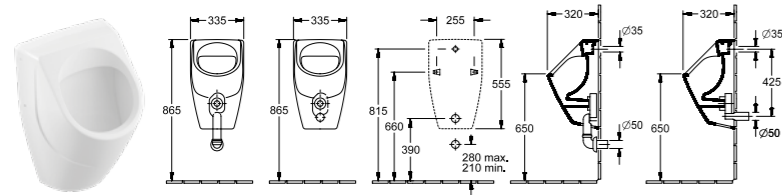
Registered design
Please order tap fittings separately

SIPHONIC URINAL DirectFlush



Article number	Description	01	plus R1	plus R3	plus T2	pcs/ pal.	kg/ pc.
7523 00 XX	335 x 560 x 320 mm 	306,-	402,-	-	-	15	14,2
without cover, water inlet from above, Outlet may be concealed depending on the type of extractor section							
9326 00 00	EXTRACTOR horizontal outlet, Flush volume: 1,0 l (optional) 	-	-	-	-	101,-	320 0,1
9327 00 00	EXTRACTOR vertical outlet (test), Flush volume: 1,0 l (optional) 	-	-	-	-	101,-	90 0,2
9319 00 00	CONNECTION PIECES comprising: collar, outlet elbow, drain pipe 150 mm long (optional)	-	-	-	-	145,-	0,2
9933 00 00	WATER-INLET CONNECTOR (optional)	-	-	-	-	60,-	200 0,1

SIPHONIC URINAL DirectFlush



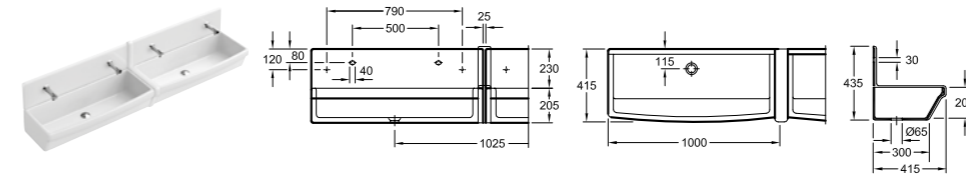
Article number	Description	01	plus R1	plus R3	plus T2	pcs/ pal.	kg/ pc.
7524 00 XX	335 x 560 x 320 mm 	306,-	402,-	-	-	15	14,2
without cover, concealed water inlet, Outlet may be concealed depending on the type of extractor section							
9326 00 00	EXTRACTOR horizontal outlet, Flush volume: 1,0 l (optional) 	-	-	-	-	101,-	320 0,1
9327 00 00	EXTRACTOR vertical outlet (test), Flush volume: 1,0 l (optional) 	-	-	-	-	101,-	90 0,2
9319 00 00	CONNECTION PIECES comprising: collar, outlet elbow, drain pipe 150 mm long (optional)	-	-	-	-	145,-	0,2
9933 00 00	WATER-INLET CONNECTOR (optional)	-	-	-	-	60,-	200 0,1
9219 89 00	URINAL INSTALLATION SYSTEM 525 x 1120 x 98 mm For further ViConnect models, see pages 92-105	-	-	-	-	370,-	10 8,1

XX = Colour code to be indicated
01 = White Alpin, R1 = White Alpin CeramicPlus, R3 = Pergamon CeramicPlus, T2 = White Alpin AntiBac CeramicPlus

O.NOVO

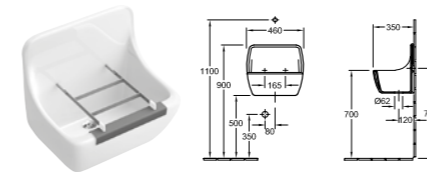
Registered design
Please order tap fittings separately

WASHING TROUGH



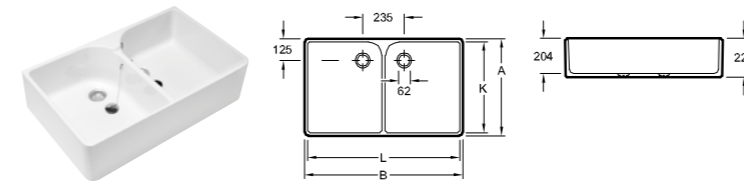
Article number	Description	01	plus R1	plus R3	plus T2	pcs/ pal.	kg/ pc.
6820 00 XX	1000 x 205 x 415 mm	875,-	-	-	-	21	29,5
fastening with mounting-brackets, fastening with profile iron							
6821 00 XX	SEAM COVER FOR WASHBASINS short, cover strip between basins (in conjunction with rear panels), install with rear panel, Also available in CeramicPlus (optional)	174,-	270,-	-	-	96	2,5
6822 00 XX	SEAM COVER FOR WASHBASINS cover strip between rear panels, Also available in CeramicPlus (optional)	113,-	208,-	-	-	96	1
6823 00 XX	REAR PANEL Also available in CeramicPlus (optional)	298,-	393,-	-	-	96	8,9

SERVICE SINK



Article number	Description	01	plus R1	plus R3	plus T2	pcs/ pal.	kg/ pc.
6912 01 XX	460 x 400 x 350 mm	394,-	489,-	-	-	10	18
with plastic front edge cover							
9683 00 00	FOLDING GRID (required) fastening set included	-	-	-	-	194,-	0,6
9209 40 00	SERVICE SINK FRAME SYSTEM FOR WALL-MOUNTED TAP FITTINGS 525 x 1120 x 85 mm	-	-	-	-	253,-	10 8,5

DOUBLE SINK



Article no.	A	B	K	L
633100XX	510	795	472	760
633200XX	550	895	515	860

Article number	Description	01	plus R1	plus R3	plus T2	pcs/ pal.	kg/ pc.
6331 00 XX	795 x 220 x 510 mm	807,-	903,-	-	-	10	34,4
6332 00 XX	895 x 220 x 550 mm	1.167,-	1.262,-	-	-	10	41,5
wall-mounted, fastening with mounting-brackets, fastening with profile iron							
9429 00 61	OVERFLOW FITTING (required) 62 mm Diameter, made of plastic	-	-	-	-	88,-	8888 0,4

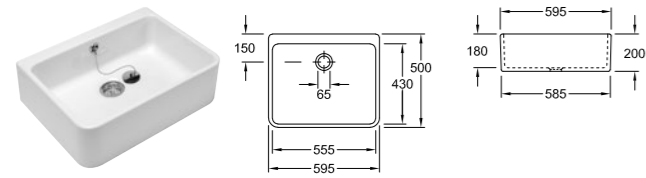
XX = Colour code to be indicated
01 = White Alpin, R1 = White Alpin CeramicPlus, R3 = Pergamon CeramicPlus, T2 = White Alpin AntiBac CeramicPlus

O.NOVO

GBP excl. VAT

Registered design
Please order tap fittings separately

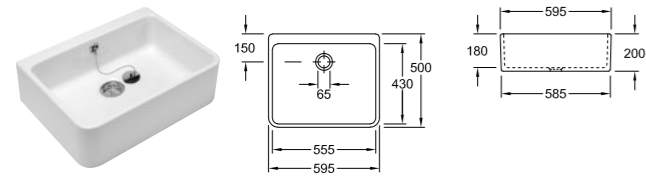
SINK



Article no.	A	B	K	L	M
632100XX	405	495	335	455	170

Article number	Description	01	plus R1	plus R3	plus T2	pcs/ pal.	kg/ pc.
6321 00 XX	495 x 170 x 405 mm	366,-	462,-	-	-	24	15,8
wall-mounted, fastening with profile iron							
9428 10 61	OVERFLOW FITTING (required) 62 mm Diameter, made of plastic	-	-	-	-	62,-	900 0,2

SINK



Article no.	A	B	K	L	M
632200XX	500	595	430	555	200

Article number	Description	01	plus R1	plus R3	plus T2	pcs/ pal.	kg/ pc.
6322 00 XX	595 x 200 x 500 mm	467,-	562,-	-	-	12	23,5
wall-mounted, fastening with mounting-brackets, fastening with profile iron							
9428 10 61	OVERFLOW FITTING (required) 62 mm Diameter, made of plastic	-	-	-	-	62,-	900 0,2

XX = Colour code to be indicated
01 = White Alpin, R1 = White Alpin CeramicPlus, R3 = Pergamon CeramicPlus, T2 = White Alpin AntiBac CeramicPlus

REFLECTION

GBP excl. VAT

Bathroom furniture
• Match all collections/furniture programmes

PRO.VILLEROY-BOCH.COM/TECHNICALDRAWINGS



REFLECTION

Registered design

Goods in stock

Express Delivery These products are always in stock.

Front:
mirrored glass double mirrored door 2 x 3 mm
Body:
aluminium with matt silver anodised finish
interior colour Aluminium, anodised silver

Lighting:
integrated LED-light with plastic cover
loose mains connection
4000 K

	MIRROR CABINET	MIRROR CABINET	MIRROR CABINET	MIRROR CABINET
Article number	A357 GD 00	A357 GA 00	A356 GA 00	A356 G8 00
Dimensions (w x h x d)	1300 x 740 x 159 mm	1000 x 740 x 159 mm		800 x 740 x 159 mm
Lighting	with integral lighting Lighting 1 x LED / 19.2 W	with integral lighting Lighting 1 x LED / 13.5 W	with integral lighting Lighting 1 x LED / 13.5 W	with integral lighting Lighting 1 x LED / 7.5 W
Equipped with	3 x door 4 x glass shelf pull switch and shaver socket		2 x door 2 x glass shelf pull switch and shaver socket	
Note on standard	IP 20			
Installation	wall-mounted			
Scope of delivery	fastening set included			
	1.922,-	1.869,-	1.322,-	1.258,-

	MIRROR CABINET	MIRROR CABINET	MIRROR CABINET
Article number	A356 G6 00	A354 G5 00	A355 G5 00
Dimensions (w x h x d)	600 x 740 x 159 mm	500 x 740 x 159 mm	
Hinges	-	hinges on right	hinges on left
Lighting	with integral lighting Lighting 1 x LED / 6.9 W	with integral lighting Lighting 1 x LED / 3.8 W	with integral lighting Lighting 1 x LED / 3.8 W
Equipped with	2 x door 2 x glass shelf pull switch and shaver socket	1 x door 2 x glass shelf pull switch and shaver socket	
Note on standard	IP 20		
Installation	wall-mounted		
Scope of delivery	fastening set included		
	1.221,-	858,-	858,-

VICLEAN

PRO.VILLEROY-BOCH.COM/TECHNICALDRAWINGS

Shower toilets

- Enjoy a pleasant shower-fresh feeling with Villeroy & Boch's shower toilets
- Villeroy & Boch's shower toilets cleanse with a gentle, warm and individually adjustable jets of water
- Have many other hygienic, user-friendly and convenient features



Ceramic colours



01 = White Alpin

Flush plate colours




RB = Glass
Glossy Black



RE = Glass
Glossy White

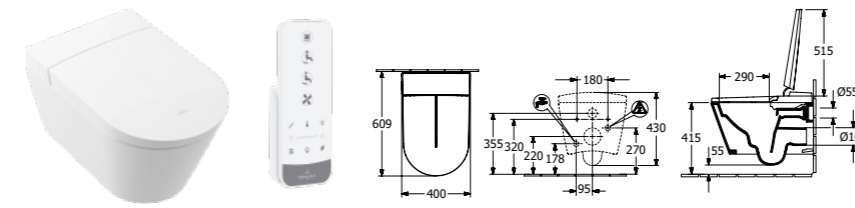
VICLEAN

Functions	Tivo V22E M1
	
SHOWER FUNCTION	
Rearwash	○
Ladywash	○
Pulsating spray	○
Oscillating spray	○
Innovative comfort wash/HarmonicWave shower spray	-
Adjustment of temperature, jet pressure and nozzle position	5
HYGIENE	
Automatic cleaning of the nozzle with fresh water both before and after each toilet use	○
CeramicPlus surface finish	-
QuickRelease mechanism	-
Duroplast toilet seat	-
Integrated water filter	○
Descaling feature	○
COMFORT	
SoftClosing feature	○
Remote control	○
heated seat	○
Seat temperature control (levels)	5
EcoMode	○
Air dryer	○
User detection	○
Odour extraction	○
UV light for disinfecting jet and water	-
Night light	○
Ambient light	-
Automatic opening & closing of seat and cover	-
AutoFlush*	-
App	-
DESIGN	
Flush-fit installation of jets	-
Rimless	○
Flushing volume	4,2l / 6l

*Only in combination with suitable installation system and flush plate

VICLEAN

TIVO SHOWER TOILET DirectFlush



Article number	Description	01			pcs/ pal.	kg/ pc.
V22E M1 01	400 x 430 x 609 mm, individual packaging materials	VIClean	2.031,-	-	-	4 39,5
composed of: Tivo V22EM1 shower toilet incl. remote control seat with lid Water connection set, wall-mounted, horizontal outlet, with water-saving AQUAREDUCT® system: flush volume 3 / 4,5 litres. Power and water connection must be available. Use only in working pressure range between 0.05 Mpa (dynamic) and 0.75 Mpa (static). Use solely in a water temperature range between 3°C and 35°C. A water softening unit is recommended for a level of water hardness of ≥ 2.4 mmol/l (≥ 14°dH).						
V995 72 00	DESCALING AGENT Contents 125 ml, pour in complete contents, descaling cycle dependent on water quality (max. every 3 months)	-	16,-	-		

VICONNECT INSTALLATION SYSTEMS

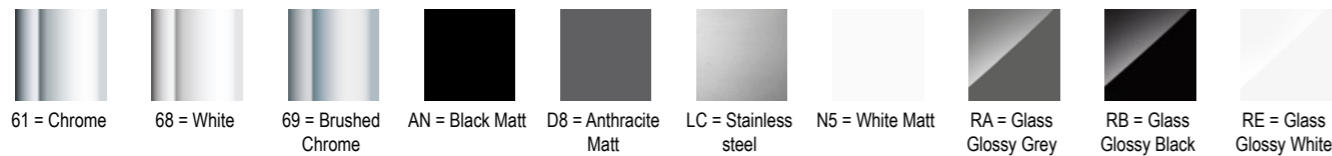
PRO.VILLEROY-BOCH.COM/TECHNICALDRAWINGS



- Installation systems, flush plates and accessories
- Design plates in various materials and colours for all price categories
- Toilet elements to match all wall-mounted toilets (standard, compact, ViCare, ViClean) and floor-standing, back-to-wall toilets
- Toilet elements for dry and brick-wall construction
- Additional elements for dry-wall installation for bidet, urinal, washbasin, etc.
- Toilet elements for use with SupraFix 4.0, ViFix, Suprafix 3.0, DirectFlush, TwistFlush and TwistFlush[e3]
- 25-year availability guarantee on spare parts



Flush plate colours

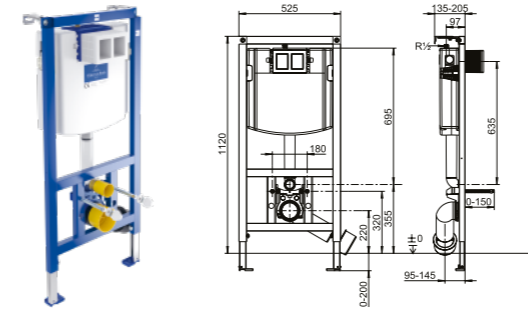


VICONNECT INSTALLATION SYSTEMS

GBP excl. VAT

TOILET INSTALLATION SYSTEM

for dry-wall construction, standard height 1120 mm, front operated

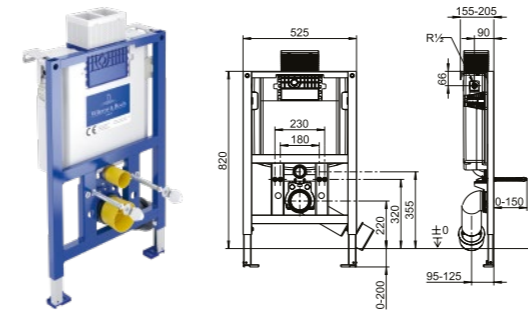


- for wall-mounted WC
- adjustable flush flow control for adaptation to rimless toilet bowls
- Bulkhead - easy adjustment of the large flushing volume from 6 to 4.5 l
- Pre-set flushing volume 6 / 3 l
- Range for large flushing volume 4.5 - 7.5 l
- Range for small flushing volume 3 - 4 l
- self-locking feet with adjustable base plates
- suitable for installation in U-profiles UW50 and UW 75

Article number	Description		pcs/ pal.	kg/ pc.
9209 29 00	525 x 1120 x 135 mm self-supporting, powder-coated steel frame construction with concealed cistern, insulated against condensation, with dual flush, fittings group I, with filling valve type AG WRAS compliant, incl. comprehensive scope of fastening and connection materials, tested in accordance with EN 14055		403,-	10 15,5
for covering with plasterboard, installation on a solid brick wall, in dry-wall constructions etc., adjustment range of feet from unfinished floor level to upper edge of finished floor level: 0-200mm, depth adjustment front edge of element: 135-205 mm, Toilet connection set DN 90 (Ø 90) / 180 mm, Mounting clip for outlet elbow, with four settings, 2 times M12 WC retaining bolts adjustable to 180mm with protection plugs and nuts, flexible hose for filling valve, can be tightened by hand, with fastenings, incl. 2 wall mounts with angled positioning and depth-adjustment, Corner valve connection set R1/2, PE toilet connecting bend DN 90 (Ø90) / with reducing sleeve DN 90 (Ø90) / DN 110 (Ø110) with protection cap, incl. installation instructions, without flush plate				
9218 51 00	ROUGHING-IN SET Mounting plate with flexible conduitFor retro-fitting to ViConnect toilet elements		69,-	900 0,1
9219 80 00	CONNECTION SET 1/2" consisting of: T-piece, flexible hose 1300 mm with cap nut 1/2" x 1/2", only for installation with ViConnect WC element 9224 27 00 and ViClean toilet seat		182,-	900 0,3
9221 15 00	CONCEALED CONNECTION SET 3/8" consisting of: T-piece, flexible hose 1300 mm with cap nut 1/2" x 3/8"		182,-	900 0,2
9223 85 00	EXTENSION SET FOR FLUSH PLATES to compensate thick wall structures		88,-	720 0,1
9221 40 00	ODOR EXTRACTION SET for combination with exhaust air systems via connection to the flush pipe bend		105,-	120 0,4

TOILET INSTALLATION SYSTEM

for dry-wall construction, installation height 820 mm, front/top operated



- for wall-mounted WC
- Bulkhead - easy adjustment of the large flushing volume from 6 to 4.5 l
- Pre-set flushing volume 6 / 3 l
- Range for large flushing volume 4.5 - 7.5 l
- Range for small flushing volume 3 - 4 l
- self-locking feet with adjustable base plates
- suitable for installation in U-profiles UW50 and UW 75

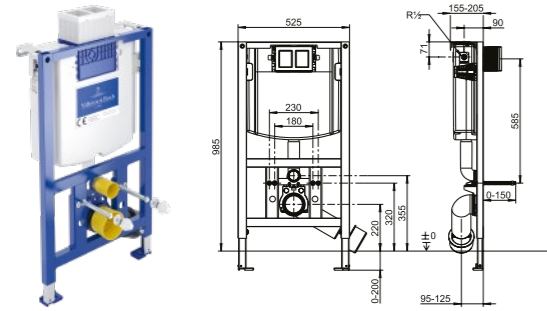
Article number	Description		pcs/ pal.	kg/ pc.
9209 30 00	525 x 820 x 155 mm self-supporting, powder-coated steel frame construction with concealed cistern, insulated against condensation, with dual flush, fittings group I, with filling valve type AG WRAS compliant, incl. comprehensive scope of fastening and connection materials, tested in accordance with EN 14055		418,-	14 10,8
for covering with plasterboard, installation on a solid brick wall, in dry-wall constructions etc., adjustment range of feet from unfinished floor level to upper edge of finished floor level: 0-200mm, depth adjustment front edge of element: 135-205 mm (when actuated from above 155-205 mm), Mounting clip for outlet elbow, with four settings, 2 times M12 WC retaining bolts adjustable to 180/230mm with protection plugs and nuts, flexible hose for filling valve, can be tightened by hand, with fastenings, incl. installation instructions, incl. 2 wall mounts with angled positioning and depth-adjustment, Corner valve connection set R1/2, PE toilet connecting bend DN 90 (Ø90) / with reducing sleeve DN 90 (Ø90) / DN 110 (Ø110) with protection cap, Toilet connection set DN 90 (Ø 90) / 180 mm, without flush plate				

VICONNECT INSTALLATION SYSTEMS

GBP excl. VAT

TOILET INSTALLATION SYSTEM

for dry-wall construction, installation height 985 mm, front/top operated



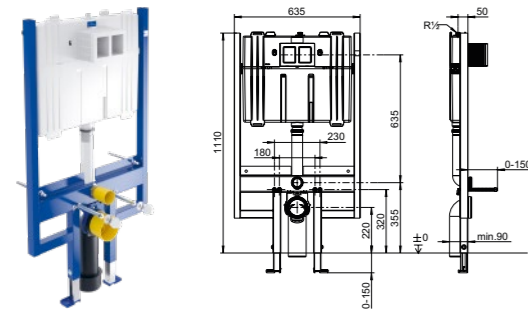
- for wall-mounted WC
- Bulkhead - easy adjustment of the large flushing volume from 6 to 4.5 l
- Pre-set flushing volume 6 / 3 l
- Range for large flushing volume 4.5 - 7.5 l
- Range for small flushing volume 3 - 4 l
- self-locking feet with adjustable base plates
- suitable for installation in U-profiles UW50 and UW 75

Article number	Description	pcs/ pal.	kg/ pc.
9209 31 00	525 x 980 x 155 mm self-supporting, powder-coated steel frame construction with concealed cistern, insulated against condensation, with dual flush, fittings group I, with filling valve type AG WRAS compliant, incl. comprehensive scope of fastening and connection materials, tested in accordance with EN 14055	418,-	11 12.7

for covering with plasterboard, installation on a solid brick wall, in dry-wall constructions etc., adjustment range of feet from unfinished floor level to upper edge of finished floor level: 0-200mm, depth adjustment front edge of element: 135-205 mm (when actuated from above 155-205 mm), PE toilet connecting bend DN 90 (Ø90) / with reducing sleeve DN 90 (Ø90) / DN 110 (Ø110) with protection cap, Toilet connection set DN 90 (Ø 90) / 180 mm, Mounting clip for outlet elbow, with four settings, flexible hose for filling valve, can be tightened by hand, with fastenings, incl. 2 wall mounts with angled positioning and depth-adjustment, Corner valve connection set R1/2, 2 times M12 WC retaining bolts adjustable to 180/230mm with protection plugs and nuts, incl. installation instructions, without flush plate

TOILET INSTALLATION SYSTEM COMPACT

for dry-wall construction, with cistern depth 80 mm, front operated



- for wall-mounted WC
- Pre-set flushing volume 6 / 3 l
- Range for large flushing volume 4.5 - 7.5 l
- Range for small flushing volume 3 - 4 l
- self-locking feet with adjustable base plates
- suitable for installation in U-profiles UW50 and UW 75

Article number	Description	pcs/ pal.	kg/ pc.
9224 76 00	635 x 1120 x 90 mm self-supporting, powder-coated steel frame construction with concealed cistern, insulated against condensation, with dual flush, fittings group I, incl. comprehensive scope of fastening and connection materials, tested in accordance with EN 14055	418,-	10 13,8

for covering with plasterboard, installation on a solid brick wall, in dry-wall constructions etc., adjustment range of feet from unfinished floor level to upper edge of finished floor level: 0-150 mm, adjustment range front to wall: min 90 mm, incl. 2 wall mounts, Corner valve connection set R1/2, PE toilet connecting bend DN 90 (Ø90) / with reducing sleeve DN 90 (Ø90) / DN 110 (Ø110) with protection cap, Toilet connection set DN 90 (Ø 90) / 180 mm, Mounting clip for outlet elbow, with four settings, 2 times M12 WC retaining bolts 180mm with protection plugs and nuts, flexible hose for filling valve, can be tightened by hand, with fastenings, incl. installation instructions, without flush plate

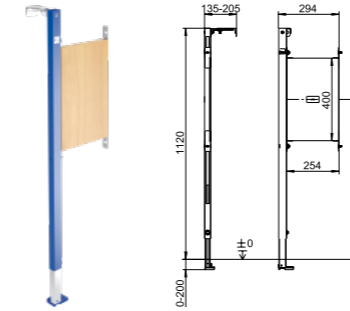
9223 85 00	EXTENSION SET FOR FLUSH PLATES to compensate thick wall structures	88,-	720 0,1
------------	--	------	---------

VICONNECT INSTALLATION SYSTEMS

GBP excl. VAT

FASTENING ELEMENTS FOR HANDLES

for dry-wall construction, standard height 1120 mm



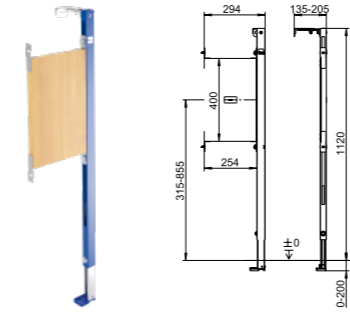
- for barrier-free installation of a handrail
- For installation on the left
- self-locking feet with adjustable base plates
- suitable for installation in U-profiles UW50 and UW 75

Article number	Description	pcs/ pal.	kg/ pc.
9219 83 00	310 x 1120 x 55 mm self-supporting powder-coated steel frame, incl. comprehensive scope of fastening and connection materials	238,-	24 4,7

for covering with plasterboard, installation on a solid brick wall, in dry-wall constructions etc., adjustment range of feet from unfinished floor level to upper edge of finished floor level: 0-200mm, depth adjustment front edge of element: 135-205 mm, incl. wall mount with angled positioning and depth-adjustment, incl. self-locking feet with adjustable base plates, with fastenings, incl. installation instructions

FASTENING ELEMENTS FOR HANDLES

for dry-wall construction, standard height 1120 mm



- for barrier-free installation of a handrail
- For installation on the right
- self-locking feet with adjustable base plates
- suitable for installation in U-profiles UW50 and UW 75

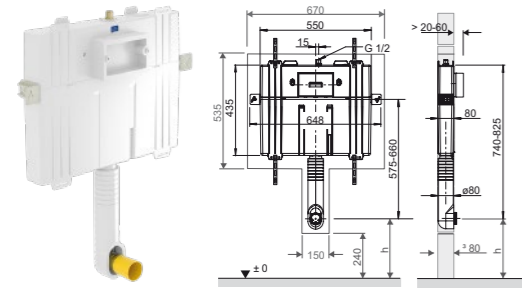
Article number	Description	pcs/ pal.	kg/ pc.
9221 09 00	310 x 1120 x 135 mm self-supporting powder-coated steel frame, incl. comprehensive scope of fastening and connection materials	238,-	24 5,4

for covering with plasterboard, installation on a solid brick wall, in dry-wall constructions etc., adjustment range of feet from unfinished floor level to upper edge of finished floor level: 0-200mm, depth adjustment front edge of element: 135-205 mm, incl. wall mount with angled positioning and depth-adjustment, incl. self-locking feet with adjustable base plates, with fastenings, incl. installation instructions

VICONNECT INSTALLATION SYSTEMS

CONCEALED CISTERN COMPACT

for brick-wall construction, with cistern depth 80 mm, front operated



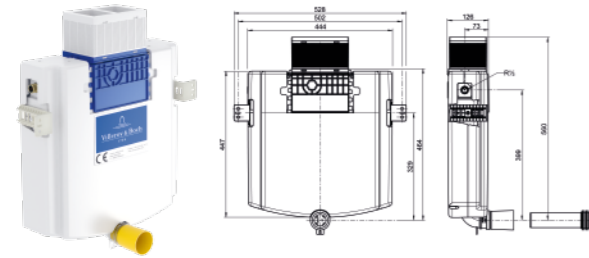
- for floor-standing WC, back to wall
- adjustable flushing pipe bend with insulation and protection cap
- Pre-set flushing volume 6 / 3 l
- Range for large flushing volume 4.5 - 7.5 l
- Range for small flushing volume 3 - 4 l

Article number	Description	pcs/pal.	kg/pc.
9224 82 00	648 x 740/825 x 80 mm with concealed cistern, insulated against condensation, with dual flush, fittings group I, incl. comprehensive scope of fastening and connection materials, tested in accordance with EN 14055	26	3,5

installation on or in front of a solid brick wall, Corner valve connection set R1/2, With mounting bracket and reinforcing mesh, Without attachment and waste bend for wall-mounted toilet, incl. installation instructions, without flush plate

CONCEALED CISTERN

for brick-wall construction, installation height 820 mm, front/top operated



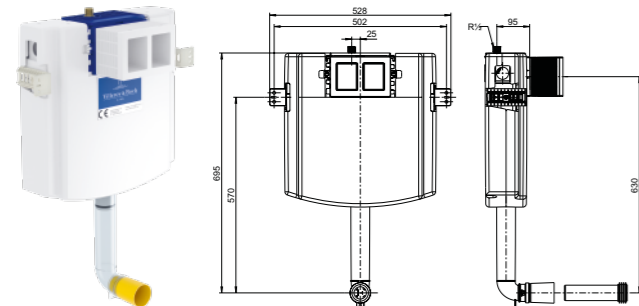
- for floor-standing WC, back to wall
- Bulkhead - easy adjustment of the large flushing volume from 6 to 4.5 l
- Pre-set flushing volume 6 / 3 l
- Range for large flushing volume 4.5 - 7.5 l
- Range for small flushing volume 3 - 4 l

Article number	Description	pcs/pal.	kg/pc.
9209 33 00	460 x 545 x 155 mm with concealed cistern, insulated against condensation, with dual flush, fittings group I, with filling valve type AG WRAS compliant, incl. comprehensive scope of fastening and connection materials, tested in accordance with EN 14055	20	3,4

installation on or in front of a solid brick wall, Corner valve connection set R1/2, with fixing brackets, Without attachment and waste bend for wall-mounted toilet, incl. installation instructions, without flush plate

CONCEALED CISTERN

for brick-wall construction, front operated, installation height 1120 mm



- for floor-standing WC, back to wall
- adjustable flush flow control for adaptation to rimless toilet bowls
- Bulkhead - easy adjustment of the large flushing volume from 6 to 4.5 l
- Pre-set flushing volume 6 / 3 l
- Range for large flushing volume 4.5 - 7.5 l
- Range for small flushing volume 3 - 4 l

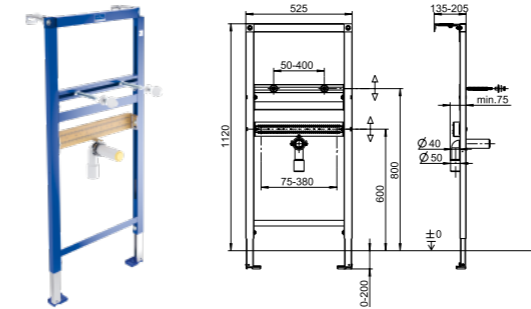
Article number	Description	pcs/pal.	kg/pc.
9209 32 00	460 x 600 x 145 mm with concealed cistern, insulated against condensation, with dual flush, fittings group I, with filling valve type AG WRAS compliant, tested in accordance with EN 14055	20	3,4

installation on or in front of a solid brick wall, Corner valve connection set R1/2, with fixing brackets, Without attachment and waste bend for wall-mounted toilet, incl. installation instructions, without flush plate

VICONNECT INSTALLATION SYSTEMS

WASHBASIN INSTALLATION ELEMENT

for dry-wall construction, standard height 1120 mm



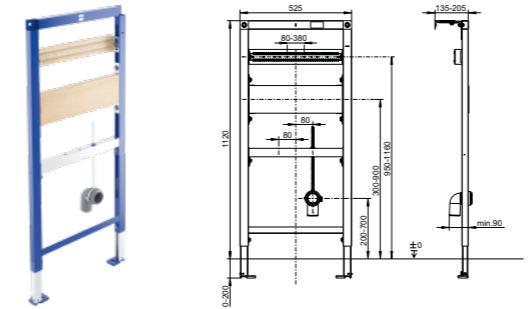
- for washbasins and handwashbasins
- self-locking feet with adjustable base plates
- with multiply bonded laminated wood panel and scaling for the free positioning of drinking water pipe wall panels
- suitable for installation in U-profiles UW50 and UW 75

Article number	Description	pcs/pal.	kg/pc.
9221 49 00	525 x 1120 x 75 mm self-supporting powder-coated steel frame, fully pre-assembled, incl. comprehensive scope of fastening and connection materials	10	8,1

for covering with plasterboard, installation on a solid brick wall, in dry-wall constructions etc., adjustment range of feet from unfinished floor level to upper edge of finished floor level: 0-200mm, depth adjustment front edge of element: 135-205 mm, incl. 2 wall mounts with angled positioning and depth-adjustment, With universal waste bend DN 50 (Ø 50) / DN 40 (Ø 40), incl. rubber collar for odour trap outlet connector DN 40 (Ø 40) / DN 32 (Ø 32), With 2 x M10 bolts for fastening washbasin, including protection plugs and washbasin fastenings, Protection plugs and sound-absorbing clamp, incl. installation instructions

SERVICE SINK FRAME SYSTEM FOR WALL-MOUNTED TAP FITTINGS

for dry-wall construction, standard height 1120 mm



- for service sinks
- self-locking feet with adjustable base plates
- with 2 waterproof, multi-ply bonded laminated wood panels and scaling for free positioning
- suitable for installation in U-profiles UW50 and UW 75

Article number	Description	pcs/pal.	kg/pc.
9209 40 00	525 x 1120 x 85 mm self-supporting powder-coated steel frame, fully pre-assembled, incl. comprehensive scope of fastening and connection materials	10	8,5

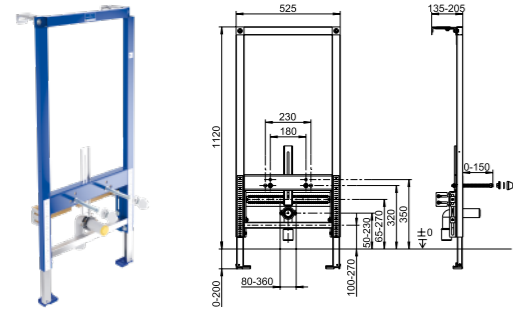
for covering with plasterboard, installation on a solid brick wall, in dry-wall constructions etc., adjustment range of feet from unfinished floor level to upper edge of finished floor level: 0-200mm, depth adjustment front edge of element: 135-205 mm, incl. 2 wall mounts with angled positioning and depth-adjustment, With DN 50 (Ø 50) waste bend and sound-absorbing clamp, With threaded rod M8 x 300 mm, incl. installation instructions

VICONNECT INSTALLATION SYSTEMS

GBP excl. VAT

BIDET INSTALLATION SYSTEM

for dry-wall construction, standard height 1120 mm



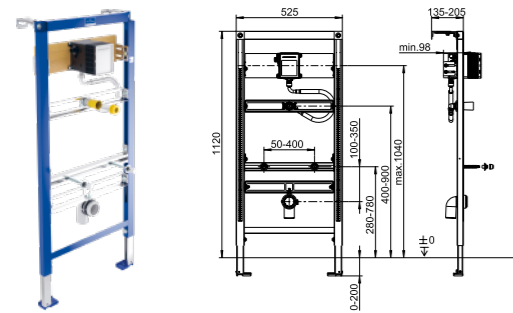
- for bidets
- with scale for free positioning
- self-locking feet with adjustable base plates
- suitable for installation in U-profiles UW50 and UW 75

Article number	Description		pcs/ pal.	kg/ pc.
9221 48 00	525 x 1120 x 100 mm self-supporting powder-coated steel frame, fully pre-assembled, incl. comprehensive scope of fastening and connection materials	341,-	10	10,5

for covering with plasterboard, installation on a solid brick wall, in dry-wall constructions etc., adjustment range of feet from unfinished floor level to upper edge of finished floor level: 0-200mm, depth adjustment front edge of element: 135-205 mm, incl. 2 wall mounts with angled positioning and depth-adjustment, With universal waste bend DN 50 (Ø 50) / DN 40 (Ø 40) , With 2 x M12 retaining bolts adjustable 180/230 mm with protection plugs, nuts and white covers, With sound-absorbing clamp, Including rubber collar DN 40 (d:40)/ DN 32 (d:32) and protection plugs, incl. installation instructions

URINAL INSTALLATION SYSTEM

for dry-wall construction, standard height 1120 mm



- for urinals with flush valve, universally adjustable
- self-locking feet with adjustable base plates
- suitable for installation in U-profiles UW50 and UW 75

Article number	Description		pcs/ pal.	kg/ pc.
9219 89 00	525 x 1120 x 98 mm self-supporting powder-coated steel frame, fully pre-assembled, incl. comprehensive scope of fastening and connection materials	370,-	10	8,1

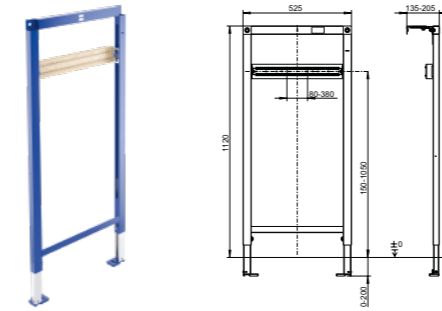
for covering with plasterboard, installation on a solid brick wall, in dry-wall constructions etc., adjustment range of feet from unfinished floor level to upper edge of finished floor level: 0-200mm, depth adjustment front edge of element: 135-205 mm, incl. 2 wall mounts with angled positioning and depth-adjustment, with 2 M8 bolts for fastening urinal including protection plugs and chromium-plated protection caps, With DN 50 (Ø 50) waste bend and sound-absorbing clamp, Connection kit Ø 25, With flexible metal hose, which can be screwed together by hand, With universal cartridge roughing-in set with modifiable water connections for cartridge valve, incl. installation instructions, without flush plate

VICONNECT INSTALLATION SYSTEMS

GBP excl. VAT

SHOWER/BATH FRAME SYSTEM

for dry-wall construction, standard height 1120 mm



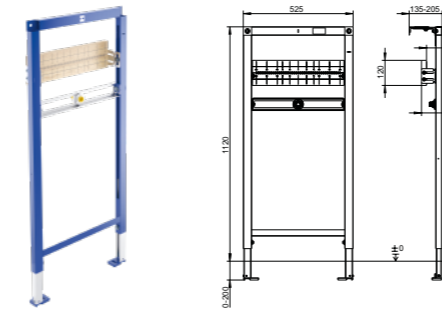
- for surface-mounted tap fittings, universally adjustable
- self-locking feet with adjustable base plates
- With multi-ply bonded laminated wood with galvanised sheet-metal side panels, for attaching existing wall panels
- suitable for installation in U-profiles UW50 and UW 75

Article number	Description		pcs/ pal.	kg/ pc.
9209 18 00	525 x 1120 x 65 mm self-supporting powder-coated steel frame, All crossbars pre-assembled	186,-	10	6,2

for covering with plasterboard, installation on a solid brick wall, in dry-wall constructions etc., adjustment range of feet from unfinished floor level to upper edge of finished floor level: 0-200mm, depth adjustment front edge of element: 135-205 mm, incl. 2 wall mounts with angled positioning and depth-adjustment, with fastenings, incl. installation instructions

SHOWER/BATH FRAME SYSTEM

for dry-wall construction, standard height 1120 mm



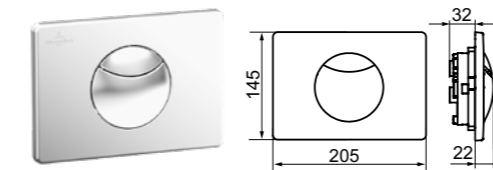
- for concealed tap fittings, universally adjustable
- self-locking feet with adjustable base plates
- With multi-ply bonded laminated wood panels and scaling for free positioning
- suitable for installation in U-profiles UW50 and UW 75

Article number	Description		pcs/ pal.	kg/ pc.
9209 34 00	525 x 1120 x 98 mm self-supporting powder-coated steel frame, height-adjustable concealed tap-fitting crossbar	211,-	10	6,5

for covering with plasterboard, installation on a solid brick wall, in dry-wall constructions etc., adjustment range of feet from unfinished floor level to upper edge of finished floor level: 0-200mm, depth adjustment front edge of element: 135-205 mm, incl. 2 wall mounts with angled positioning and depth-adjustment, with sound-absorbing wall duct, with fastenings, incl. installation instructions

TOILET FLUSH PLATE

100S



- For toilet systems
- water-saving dual flush plate

Article number	Description	61	68	69	pcs/ pal.	kg/ pc.
9224 85 XX	205 x 145 x 22 mm made of high-quality plastic	74,-	53,-	74,-	224	0,3

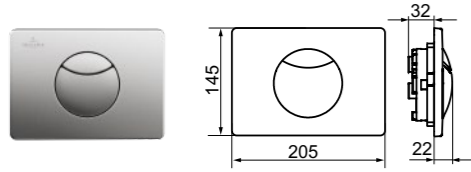
Easy connection to flush plate via flexible cables with bayonet joint, flush plate frame, support frame and fastening bolts, with fastenings, incl. installation instructions

XX = Colour code to be indicated
61 = Chrome, 68 = White, 69 = Brushed Chrome, AN = Black Matt, D8 = Anthracite Matt, LC = Stainless steel, N5 = White Matt,
RA = Glass Glossy Grey, RB = Glass Glossy Black, RE = Glass Glossy White

VICONNECT INSTALLATION SYSTEMS

GBP excl. VAT

TOILET FLUSH PLATE 100M

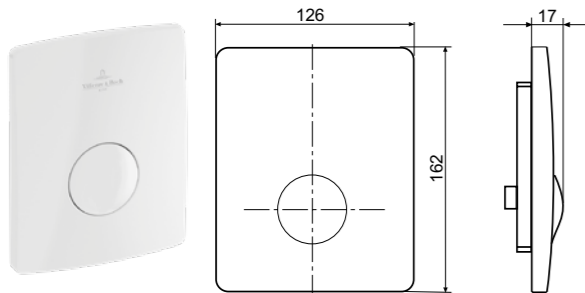


- For toilet systems
- Stainless steel flush plate with securing screw (theft-proof)
- water-saving dual flush plate

Article number	Description	LC	pcs/ pal.	kg/ pc.
9224 85 XX	205 x 145 x 22 mm made of high-quality plastic or stainless steel	151,-	224	0,27

Easy connection to flush plate via flexible cables with bayonet joint, flush plate frame, support frame and fastening bolts, with fastenings, incl. installation instructions

URINAL FLUSH PLATE 100SU

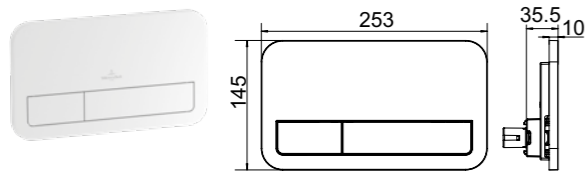


Article number	Description	61	68	69	pcs/ pal.	kg/ pc.
9219 44 XX	126 x 162 x 17 mm for hand-operated urinal cartridge valve technology, made of high-quality plastic	226,-	181,-	226,-	224	0,3

incl. 2 wall mounts with angled positioning and depth-adjustment, with cartridge filter, with pneumatic urinal cartridge valve with external thread 29 x 2 mm, with installation frame and pressure bolt, with vandal-safe special fastening of the cover plate, with fastenings, incl. installation instructions

TOILET FLUSH PLATE 200S

Registered design



- For toilet systems
- water-saving dual flush plate

Article number	Description	61	68	69, AN	pcs/ pal.	kg/ pc.
9224 90 XX	253 x 145 x 10 mm made of high-quality plastic	74,-	53,-	74,-	224	0,4

Easy connection to flush plate via flexible cables with bayonet joint, flush plate frame, support frame and fastening bolts, with fastenings, incl. installation instructions

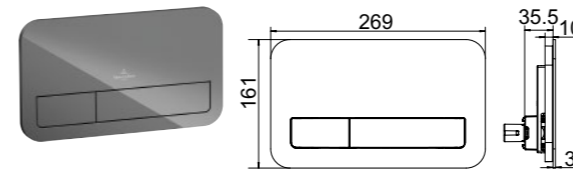
XX = Colour code to be indicated
61 = Chrome, 68 = White, 69 = Brushed Chrome, AN = Black Matt, D8 = Anthracite Matt, LC = Stainless steel, N5 = White Matt,
RA = Glass Glossy Grey, RB = Glass Glossy Black, RE = Glass Glossy White

VICONNECT INSTALLATION SYSTEMS

GBP excl. VAT

TOILET FLUSH PLATE 200G

Registered design



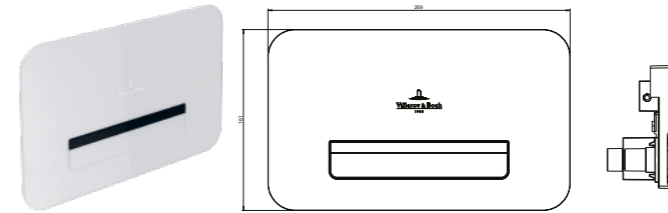
- For toilet systems
- water-saving dual flush plate

Article number	Description	RA, RB, RE	pcs/ pal.	kg/ pc.
9224 00 XX	269 x 161 x 13 mm surface made of high-quality safety glass	294,-	144	0,6

Easy connection to flush plate via flexible cables with bayonet joint, flush plate frame, support frame and fastening bolts, with fastenings, incl. installation instructions

TOILET FLUSH PLATE 200G ProActive+

Registered design



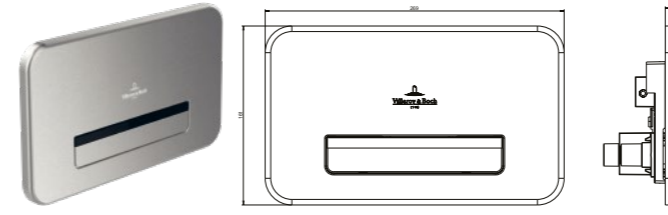
- For toilet systems
- electronic flush plate
- Active infrared sensor-controlled flushing with multi-zone sensor and time tracking
- LED lighting of logo, colour and intensity can be adjusted
- Control of functions by means of an app

Article number	Description	RE	pcs/ pal.	kg/ pc.
9223 11 XX	269 x 161 x 13 mm Electronic flush plate made of high-quality safety glass	1.455,-		0,7

Easy connection to flush plate via flexible cables with bayonet joint, Infrared transmitter and receiver components, including interface electronics, main micro-controller, red feedback LED, motor control on the sensor board, motor unit with connection cable, cable and data interface to Bluetooth adapter (CIF control interface) and to power supply, Bluetooth module, cable and data interface to separate LED board, cable interface to 868.4 MHz receiver, power supply unit with connection cable, optional connection of an 868.4 MHz receiver module for actuation via radio control

TOILET FLUSH PLATE 200M ProActive+

Registered design



- For toilet systems
- electronic flush plate
- Active infrared sensor-controlled flushing with multi-zone sensor and time tracking
- Control of functions by means of an app

Article number	Description	LC	pcs/ pal.	kg/ pc.
9223 11 XX	269 x 161 x 13 mm Electronic flush plate made of high-quality plastic and stainless steel	1.551,-		0,7

Easy connection to flush plate via flexible cables with bayonet joint, Infrared transmitter and receiver components, including interface electronics, main micro-controller, red feedback LED, motor control on the sensor board, motor unit with connection cable, cable and data interface to Bluetooth adapter (CIF control interface) and to power supply, Bluetooth module, cable and data interface to separate LED board, cable interface to 868.4 MHz receiver, power supply unit with connection cable, optional connection of an 868.4 MHz receiver module for actuation via radio control

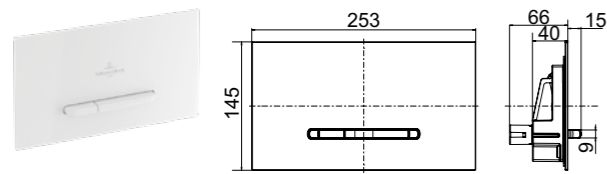
XX = Colour code to be indicated
61 = Chrome, 68 = White, 69 = Brushed Chrome, AN = Black Matt, D8 = Anthracite Matt, LC = Stainless steel, N5 = White Matt,
RA = Glass Glossy Grey, RB = Glass Glossy Black, RE = Glass Glossy White

VICONNECT INSTALLATION SYSTEMS

GBP excl. VAT

TOILET FLUSH PLATE 300S

Registered design

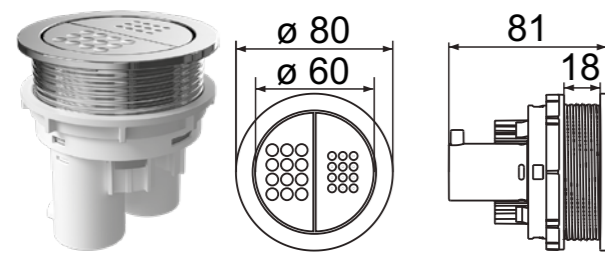


- For toilet systems
- water-saving dual flush plate

Article number	Description	61	68	69	pcs/ pal.	kg/ pc.
9221 80 XX	253 x 145 x 15 mm made of high-quality plastic	106,-	75,-	106,-	192	0,3

Easy connection to flush plate via flexible cables with bayonet joint, support frame and fastening bolts, incl. installation instructions

PNEUMATIC FLUSHING



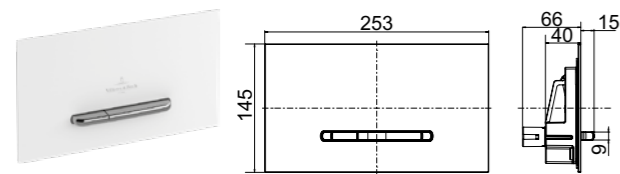
- For toilet systems
- Outer diameter 80 mm, operating panel diameter 60 mm
- water-saving dual flush plate
- Height over tiles 4 mm, for furniture wall thicknesses of up to 20 mm, for minimum hole diameter of 69 mm in room wall, minimum installation depth from front edge of furniture to rear edge of pneumatic flush plate unit 80 mm

Article number	Description	61	pcs/ pal.	kg/ pc.
9221 50 61	80 mm Diameter made of plastic with chrome finish	96,-	160	0,3

Easy connection to flush plate via flexible cables with bayonet joint, support frame and fastening bolts, incl. installation instructions

TOILET FLUSH PLATE 300S

Registered design



- For toilet systems
- water-saving dual flush plate

Article number	Description	68	pcs/ pal.	kg/ pc.
9221 61 XX	253 x 145 x 20 mm made of high-quality plastic, buttons in chrome	106,-	192	0,4

Easy connection to flush plate via flexible cables with bayonet joint, support frame and fastening bolts, incl. installation instructions

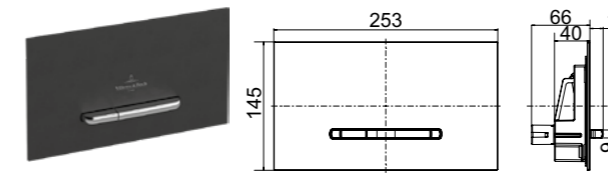
XX = Colour code to be indicated
61 = Chrome, 68 = White, 69 = Brushed Chrome, AN = Black Matt, D8 = Anthracite Matt, LC = Stainless steel, N5 = White Matt,
RA = Glass Glossy Grey, RB = Glass Glossy Black, RE = Glass Glossy White

VICONNECT INSTALLATION SYSTEMS

GBP excl. VAT

TOILET FLUSH PLATE 300S

Registered design



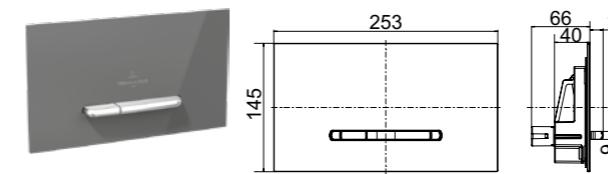
- For toilet systems
- water-saving dual flush plate

Article number	Description	AN, D8, N5	pcs/ pal.	kg/ pc.
9221 69 XX	253 x 145 x 20 mm made of high-quality plastic, buttons in matt chrome	106,-	192	0,4

Easy connection to flush plate via flexible cables with bayonet joint, support frame and fastening bolts, incl. installation instructions

TOILET FLUSH PLATE 300G

Registered design



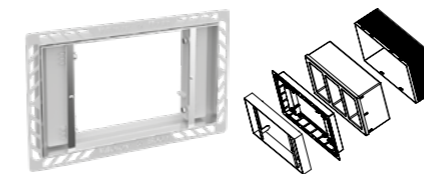
- For toilet systems
- water-saving dual flush plate

Article number	Description	RA, RB, RE	pcs/ pal.	kg/ pc.
9221 60 XX	253 x 145 x 20 mm surface made of high-quality safety glass, buttons in matt chrome	301,-	192	0,6

Easy connection to flush plate via flexible cables with bayonet joint, support frame and fastening bolts, incl. installation instructions

FLUSH-MOUNTED INSTALLATION KIT

for flush-fit installation



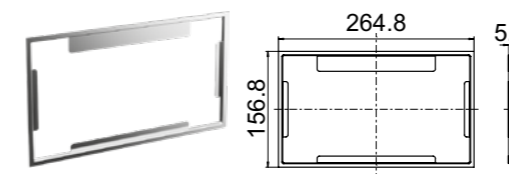
- for 300S and 300G flush plates

Article number	Description	LC	pcs/ pal.	kg/ pc.
9221 59 XX	295 x 186 x 5-25 mm visible frame (after installation) made of brushed stainless steel	219,-	75	0,7

incl. enlarged protection plugs

DISTANCE FRAME

for flush installation set



- for 300S and 300G flush plates

Article number	Description	LC	pcs/ pal.	kg/ pc.
9221 58 XX	265 x 157 x 0,7 mm for covering uneven tile edges, in combination with flush-mounted installation kit	181,-	448	0,1

XX = Colour code to be indicated
61 = Chrome, 68 = White, 69 = Brushed Chrome, AN = Black Matt, D8 = Anthracite Matt, LC = Stainless steel, N5 = White Matt,
RA = Glass Glossy Grey, RB = Glass Glossy Black, RE = Glass Glossy White

VICONNECT INSTALLATION SYSTEMS

GBP excl. VAT

RADIO CONTROL FOR FLUSHING UNIT WITH POWER SUPPLY UNIT



Article number	Description		pcs/ pal.	kg/ pc.
9209 15 00	For control with hand-held transmitters for barrier-free bathrooms in accordance with DIN 18040	1.807,-		0,6

HYGIENE FLUSH WITH POWER SUPPLY UNIT



Article number	Description		pcs/ pal.	kg/ pc.
9209 16 00	Pipe flushing in accordance with EN 806-5 to avoid stagnant water	976,-		0,6

HYGIENE FLUSH WITH BATTERY



Article number	Description		pcs/ pal.	kg/ pc.
9209 26 00	Pipe flushing in accordance with EN 806-5 to avoid stagnant water	865,-		0,3

HAND-HELD TRANSMITTER FOR RADIO CONTROL



Article number	Description		pcs/ pal.	kg/ pc.
9209 19 61	Can also be mounted on fold-up support handles of the ViCare Function collection	542,-		0,6

EXTENSION SET FOR FLUSH PLATES



Article number	Description		pcs/ pal.	kg/ pc.
9223 85 00	to compensate thick wall structures	88,-	720	0,1

XX = Colour code to be indicated
 61 = Chrome, 68 = White, 69 = Brushed Chrome, AN = Black Matt, D8 = Anthracite Matt, LC = Stainless steel, N5 = White Matt,
 RA = Glass Glossy Grey, RB = Glass Glossy Black, RE = Glass Glossy White

VICONNECT INSTALLATION SYSTEMS

GBP excl. VAT

CONNECTION SET 1/2"

for concealed water connection



Article number	Description		pcs/ pal.	kg/ pc.
9219 80 00	consisting of: T-piece, flexible hose 1300 mm with cap nut 1/2" x 1/2", only for installation with ViConnect WC element 9224 27 00 and ViClean toilet seat	182,-	900	0,3

CONCEALED CONNECTION SET 3/8"

for concealed water connection



Article number	Description		pcs/ pal.	kg/ pc.
9221 15 00	consisting of: T-piece, flexible hose 1300 mm with cap nut 1/2" x 3/8"	182,-	900	0,2

ODOR EXTRACTION SET



Article number	Description		pcs/ pal.	kg/ pc.
9221 40 00	for combination with exhaust air systems via connection to the flush pipe bend	105,-	120	0,4

ROUGHING-IN SET



Article number	Description		pcs/ pal.	kg/ pc.
9218 51 00	For retro-fitting to ViConnect toilet elements	69,-	900	0,1

ACCESSORIES

Sanitaryware and Bathroom Furniture

- Can be retrofitted: to match most washbasins/bidets with standard valve fit
- Flexible use thanks to separate purchasing

PRO.VILLEROY-BOCH.COM/TECHNICALDRAWINGS



Ceramic colours



ACCESSORIES

GBP excl. VAT

PUSH-TO-OPEN VALVE



Article number	Description		01	RW, R7, R8, i4, AM		pcs/pal.	kg/pc.
6817 00 XX	ceramic valve cover, to match most washbasins/bidets with standard valve fit, can be used with models with overflow function, recommended with the washbasins in the collections: Architectura, Avento, Collaro, Evana, Hommage, Loop & Friends, Memento, Memento 2.0, Skyla, Subway 2.0, Subway 3.0, Venticello	NEW	94,-	123,-	-	1.000	0,4

UNCLOSABLE OUTLET VALVE



Article number	Description		01	RW, R7, R8, i4, AM, R6, TE		pcs/pal.	kg/pc.
6835 00 XX	flat ceramic valve cover Please note: unclosable outlet valve must be used with models without overflow, to match most washbasins/bidets with standard valve fit, recommended with the washbasins in the collections: Architectura, Artis, Avento, Collaro, Hommage, Loop & Friends, Memento, Memento 2.0, Skyla, Subway 2.0, Subway 3.0, Venticello	NEW	94,-	125,-	-	1.600	0,3

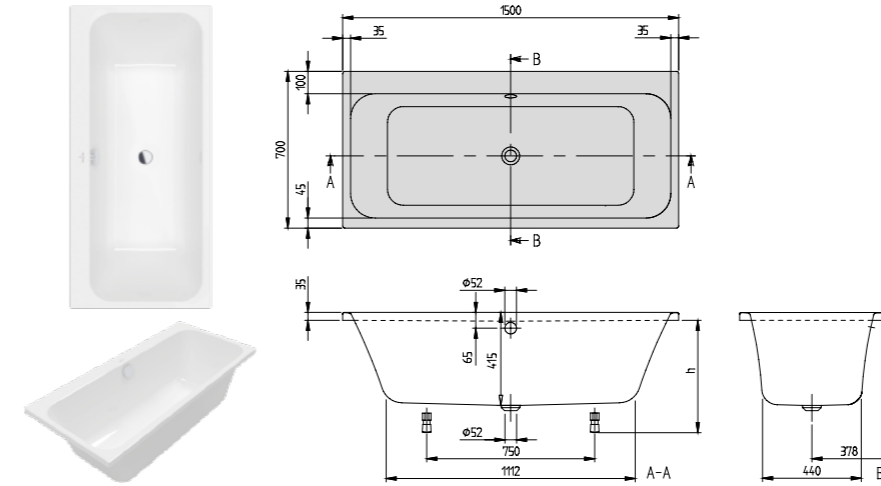
XX = Colour code to be indicated
01 = White Alpin, RW = Stone White CeramicPlus, R7 = Pure Black CeramicPlus, R8 = Morning Green CeramicPlus, R6 = Nightfall CeramicPlus, TE = Teal CeramicPlus, i4 = Graphite CeramicPlus, AM = Almond CeramicPlus

BATHS

ARCHITECTURA (Rectangle 1500 x 700) Acrylic

GBP excl. VAT

Backrest form:	Symmetric (two identical backrests)
Not included in scope of delivery:	Set of bath feet is not supplied as standard. Waste and overflow combination Requires extended waste/overflow combination.
Technical information:	Note: central positioning of the tap fitting is not possible.
Matching sanitary ceramics:	Architectura
Matching furniture programme:	Architectura
Matching tap fittings programme:	Architectura Square



h = Installation height (min - max)	
Bath	525 - 575

Article number	Description	Size l x w	Bottom l x w	Depth	Litres incl. 1 pers	Weight (kg)	01	pcs/pal.
UBA 157 ARE 2V-01	Architectura	1500 x 700	1112 x 440	415	103	18		498,- 10
Accessories for baths (optional)								
Article number	Description							Price
U90170061	Handgrips, 1 pair = 2 grips, chrome							260,-
U90960461	Waste/overflow combination, chrome							214,-
U90960361	Outlet/overflow fitting with water inlet, chrome							481,-
U99740000	Bath feet, plastic, for baths with even bottom, adjustable from 130 to 180 mm							27,-

GLOSSY COLOURS

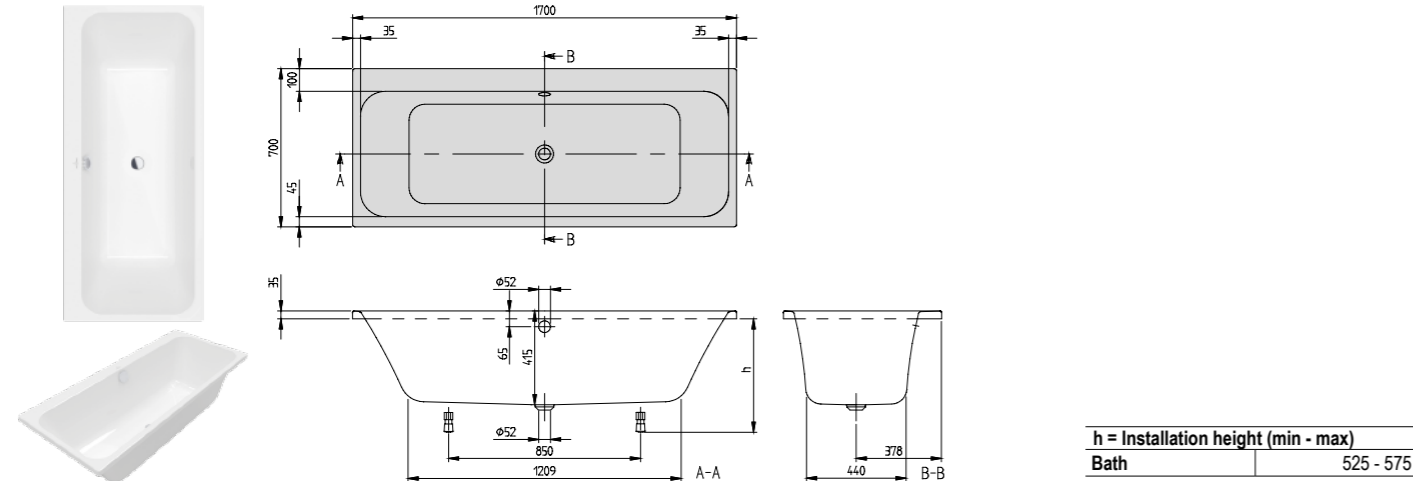
01 White Alpine



ARCHITECTURA (Rectangle 1700 x 700) Acrylic

GBP excl. VAT

Backrest form: Symmetric (two identical backrests)
Not included in scope of delivery: Set of bath feet is not supplied as standard.
 Waste and overflow combination
 Requires extended waste/overflow combination.
Technical information: Note: central positioning of the tap fitting is not possible.
Matching sanitary ceramics: Architectura
Matching furniture programme: Architectura
Matching tap fittings programme: Architectura Square



Article number	Description	Size l x w	Bottom l x w	Depth	Litres incl. 1 pers	Weight (kg)	01	pcs/pal.
UBA 177 ARE 2V-01	Architectura	1700 x 700	1209 x 440	415	124	21	521,-	10

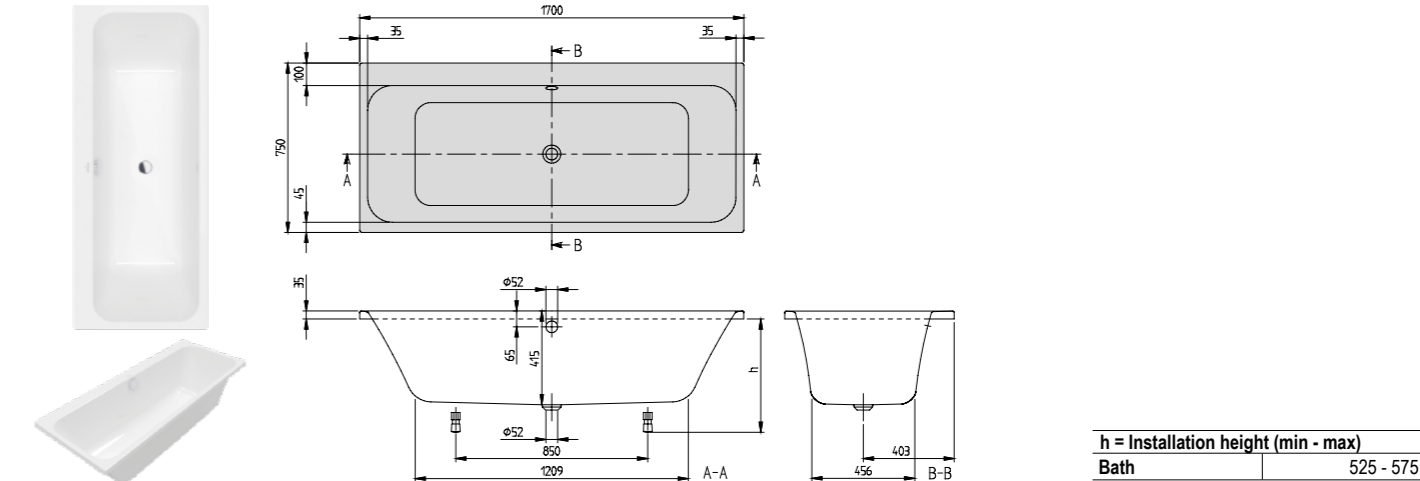
Accessories for baths (optional)

Article number	Description	Price
U90170061	Handgrips, 1 pair = 2 grips, chrome	260,-
U90960461	Waste/overflow combination, chrome	214,-
U90960361	Outlet/overflow fitting with water inlet, chrome	481,-
U99740000	Bath feet, plastic, for baths with even bottom, adjustable from 130 to 180 mm	27,-

ARCHITECTURA (Rectangle 1700 x 750) Acrylic

GBP excl. VAT

Backrest form: Symmetric (two identical backrests)
Not included in scope of delivery: Set of bath feet is not supplied as standard.
 Waste and overflow combination
 Requires extended waste/overflow combination.
Technical information: Note: central positioning of the tap fitting is not possible.
Matching sanitary ceramics: Architectura
Matching furniture programme: Architectura
Matching tap fittings programme: Architectura Square



Article number	Description	Size l x w	Bottom l x w	Depth	Litres incl. 1 pers	Weight (kg)	01	pcs/pal.
UBA 170 ARE 2V-01	Architectura	1700 x 750	1209 x 456	415	136	21	521,-	10

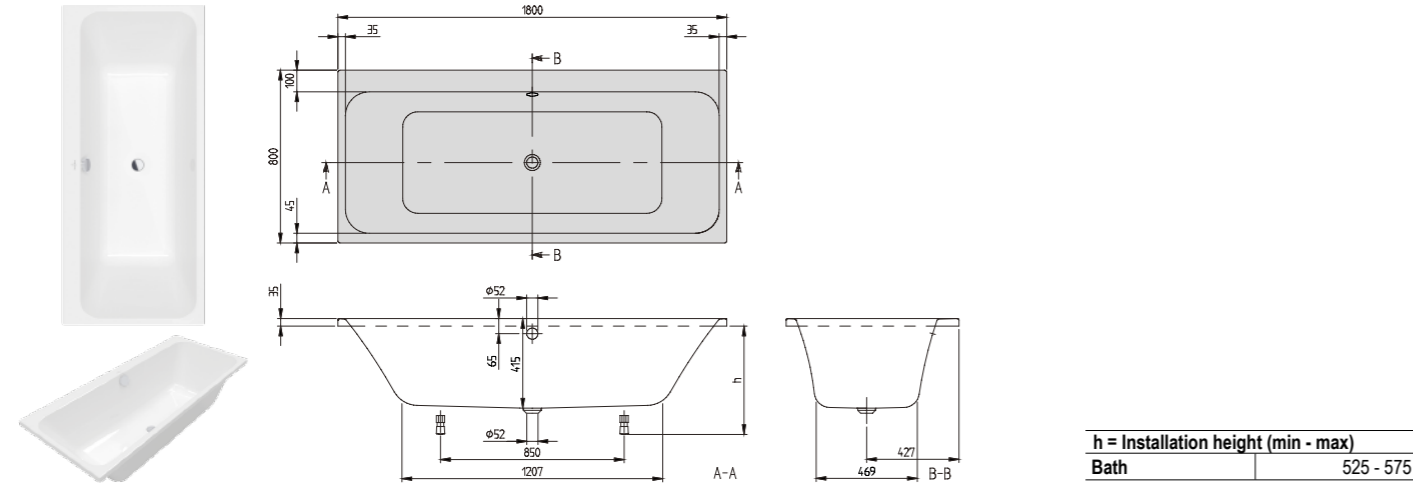
Accessories for baths (optional)

Article number	Description	Price
U90170061	Handgrips, 1 pair = 2 grips, chrome	260,-
U90960461	Waste/overflow combination, chrome	214,-
U90960361	Outlet/overflow fitting with water inlet, chrome	481,-
U99740000	Bath feet, plastic, for baths with even bottom, adjustable from 130 to 180 mm	27,-

ARCHITECTURA (Rectangle 1800 x 800) Acrylic

GBP excl. VAT

Backrest form: Symmetric (two identical backrests)
Not included in scope of delivery: Set of bath feet is not supplied as standard.
 Waste and overflow combination
 Requires extended waste/overflow combination.
Technical information: Note: central positioning of the tap fitting is not possible.
Matching sanitary ceramics: Architectura
Matching furniture programme: Architectura
Matching tap fittings programme: Architectura Square



Article number	Description	Size l x w	Bottom l x w	Depth	Litres incl. 1 pers	Weight (kg)	01	pcs/pal.
UBA 180 ARE 2V-01	Architectura	1800 x 800	1207 x 469	415	155	23	661,-	10

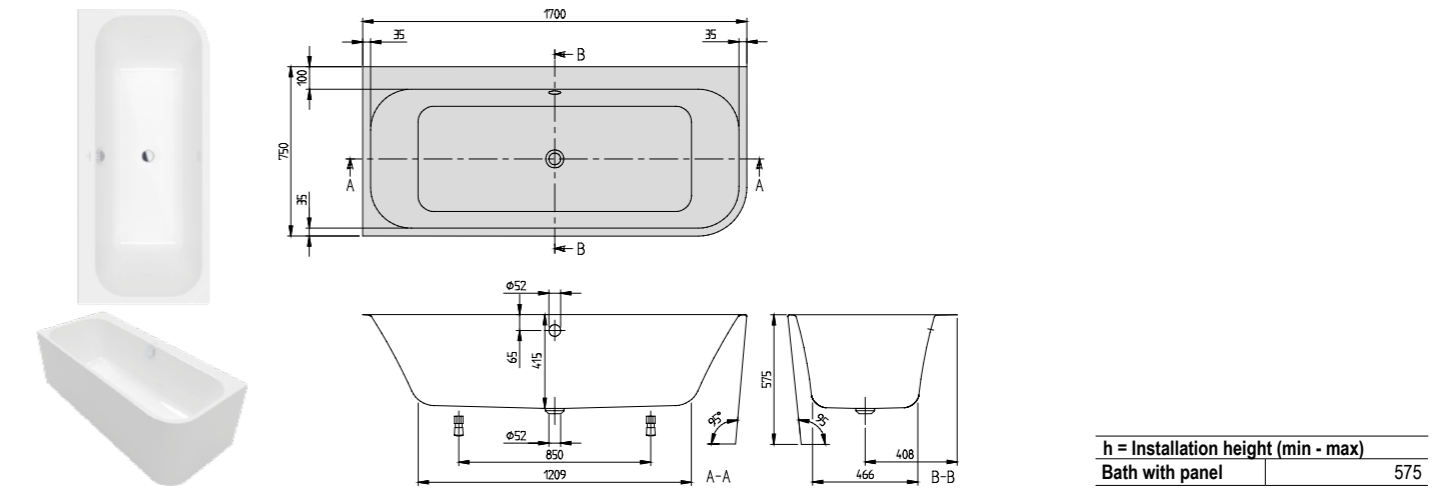
Accessories for baths (optional)

Article number	Description	Price
U90170061	Handgrips, 1 pair = 2 grips, chrome	260,-
U90960461	Waste/overflow combination, chrome	214,-
U90960361	Outlet/overflow fitting with water inlet, chrome	481,-
U99740000	Bath feet, plastic, for baths with even bottom, adjustable from 130 to 180 mm	27,-

ARCHITECTURA (Wall-facing, left-hand model 1700 x 750) Acrylic

GBP excl. VAT

Backrest form: Symmetric (two identical backrests)
Included in scope of delivery: Set of bath feet is supplied as standard.
Not included in scope of delivery: Waste and overflow combination
 Requires extended waste/overflow combination.
Technical information: Panel in the same colour as the bath
 No tap holes are possible over a length of 390 mm in the centre of the long side.
Matching sanitary ceramics: Architectura
Matching furniture programme: Architectura
Matching tap fittings programme: Architectura Square



Article number	Description	Size l x w	Bottom l x w	Depth	Litres incl. 1 pers	Weight (kg)	01	pcs/pal.
UBA 170 ARE 9CL00V-01	Architectura, wall-facing, corner version left, seamless	1700 x 750	1209 x 466	415	136	47	1.932,-	1

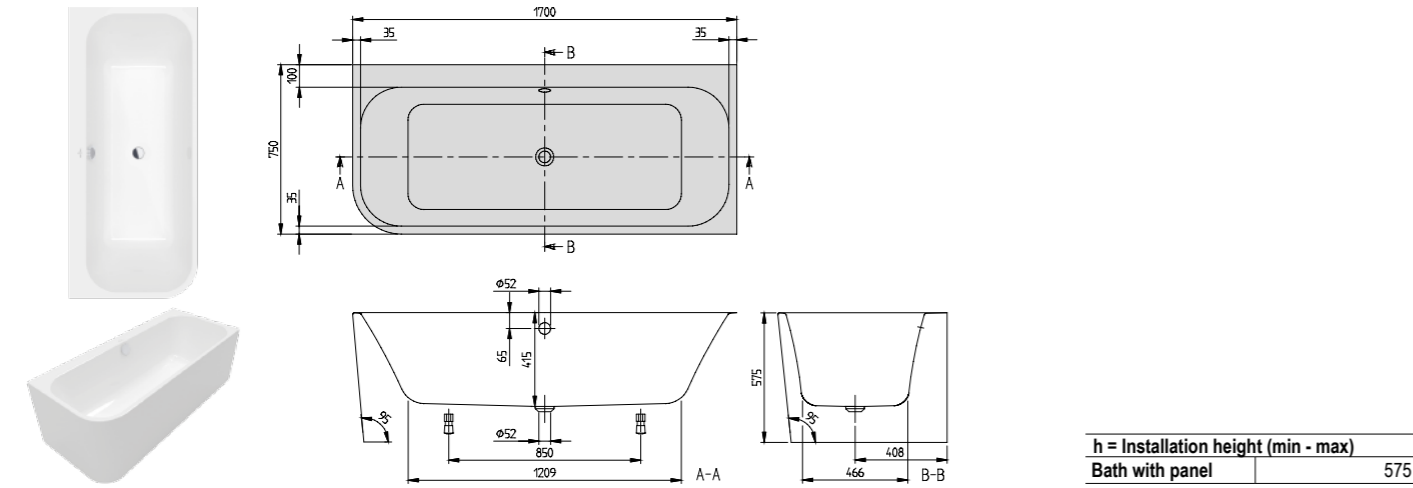
Accessories for baths (optional)

Article number	Description	Price
U90960461	Waste/overflow combination, chrome	214,-
U90960361	Outlet/overflow fitting with water inlet, chrome	481,-
U99740000	Bath feet, plastic, for baths with even bottom, adjustable from 130 to 180 mm	27,-

ARCHITECTURA (Wall-facing, right-hand model 1700 x 750) Acrylic

GBP excl. VAT

- Backrest form:** Symmetric (two identical backrests)
- Included in scope of delivery:** Set of bath feet is supplied as standard.
- Not included in scope of delivery:** Waste and overflow combination
Requires extended waste/overflow combination.
- Technical information:** Panel in the same colour as the bath
No tap holes are possible over a length of 390 mm in the centre of the long side.
- Matching sanitary ceramics:** Architectura
- Matching furniture programme:** Architectura
- Matching tap fittings programme:** Architectura Square



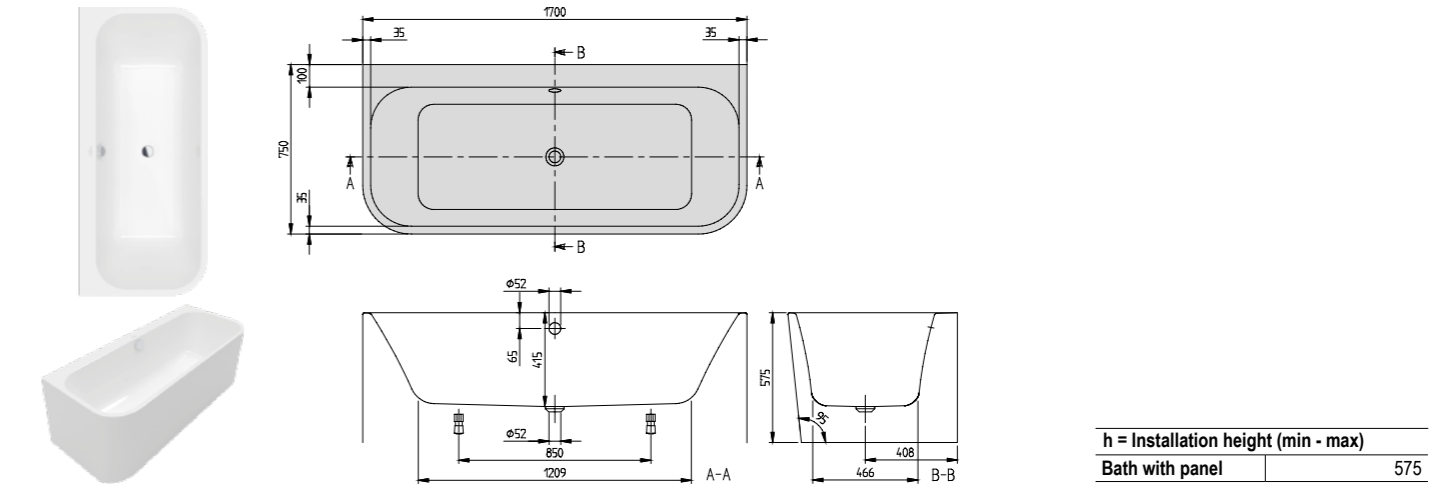
Article number	Description	Size l x w	Bottom l x w	Depth	Litres incl. 1 pers	Weight (kg)	01	pcs/pal.
UBA 170 ARE 9CR00V-01	Architectura, wall-facing, corner version right, seamless	1700 x 750	1209 x 466	415	136	47	1.932,-	1

Accessories for baths (optional)			Price
Article number	Description		
U90960461	Waste/overflow combination, chrome		214,-
U90960361	Outlet/overflow fitting with water inlet, chrome		481,-
U99740000	Bath feet, plastic, for baths with even bottom, adjustable from 130 to 180 mm		27,-

ARCHITECTURA (Wall-facing 1700 x 750) Acrylic

GBP excl. VAT

- Backrest form:** Symmetric (two identical backrests)
- Included in scope of delivery:** Set of bath feet is supplied as standard.
- Not included in scope of delivery:** Waste and overflow combination
Requires extended waste/overflow combination.
- Technical information:** Panel in the same colour as the bath
No tap holes are possible over a length of 390 mm in the centre of the long side.
- Matching sanitary ceramics:** Architectura
- Matching furniture programme:** Architectura
- Matching tap fittings programme:** Architectura Square



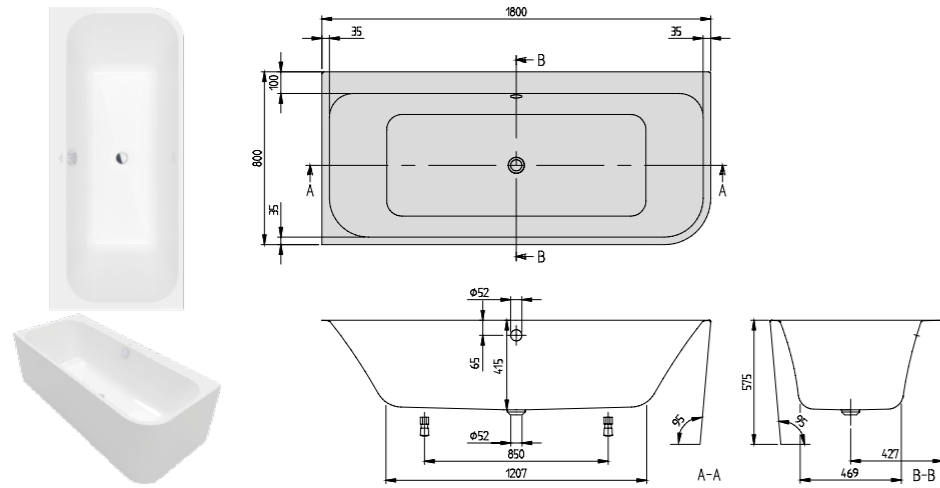
Article number	Description	Size l x w	Bottom l x w	Depth	Litres incl. 1 pers	Weight (kg)	01	pcs/pal.
UBA 170 ARE 9CS00V-01	Architectura, wall-facing, seamless	1700 x 750	1209 x 466	415	136	52	1.932,-	1

Accessories for baths (optional)			Price
Article number	Description		
U90960461	Waste/overflow combination, chrome		214,-
U90960361	Outlet/overflow fitting with water inlet, chrome		481,-
U99740000	Bath feet, plastic, for baths with even bottom, adjustable from 130 to 180 mm		27,-

ARCHITECTURA (Wall-facing, left-hand model 1800 x 800) Acrylic

GBP excl. VAT

- Backrest form:** Symmetric (two identical backrests)
- Included in scope of delivery:** Set of bath feet is supplied as standard.
- Not included in scope of delivery:** Waste and overflow combination
Requires extended waste/overflow combination.
- Technical information:** Panel in the same colour as the bath
No tap holes are possible over a length of 390 mm in the centre of the long side.
- Matching sanitary ceramics:** Architectura
- Matching furniture programme:** Architectura
- Matching tap fittings programme:** Architectura Square



Article number	Description	Size l x w	Bottom l x w	Depth	Litres incl. 1 pers	Weight (kg)	01	pcs/pal.
UBA 180 ARE 9CL00V-01	Architectura, wall-facing, corner version left, seamless	1800 x 800	1207 x 469	415	155	55	2.154,-	1

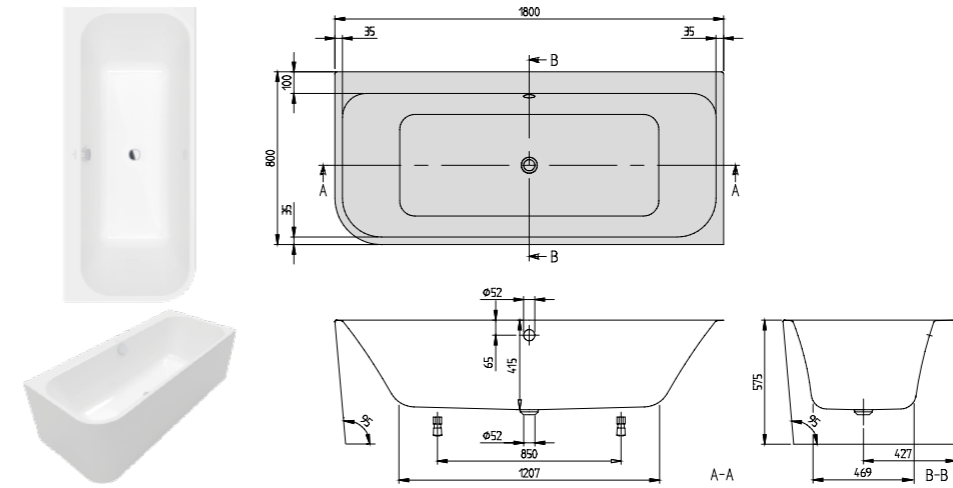
Accessories for baths (optional)

Article number	Description	Price
U90960461	Waste/overflow combination, chrome	214,-
U90960361	Outlet/overflow fitting with water inlet, chrome	481,-
U99740000	Bath feet, plastic, for baths with even bottom, adjustable from 130 to 180 mm	27,-

ARCHITECTURA (Wall-facing, right-hand model 1800 x 800) Acrylic

GBP excl. VAT

- Backrest form:** Symmetric (two identical backrests)
- Included in scope of delivery:** Set of bath feet is supplied as standard.
- Not included in scope of delivery:** Waste and overflow combination
Requires extended waste/overflow combination.
- Technical information:** Panel in the same colour as the bath
No tap holes are possible over a length of 390 mm in the centre of the long side.
- Matching sanitary ceramics:** Architectura
- Matching furniture programme:** Architectura
- Matching tap fittings programme:** Architectura Square



Article number	Description	Size l x w	Bottom l x w	Depth	Litres incl. 1 pers	Weight (kg)	01	pcs/pal.
UBA 180 ARE 9CR00V-01	Architectura, wall-facing, corner version right, seamless	1800 x 800	1207 x 469	415	155	55	2.154,-	1

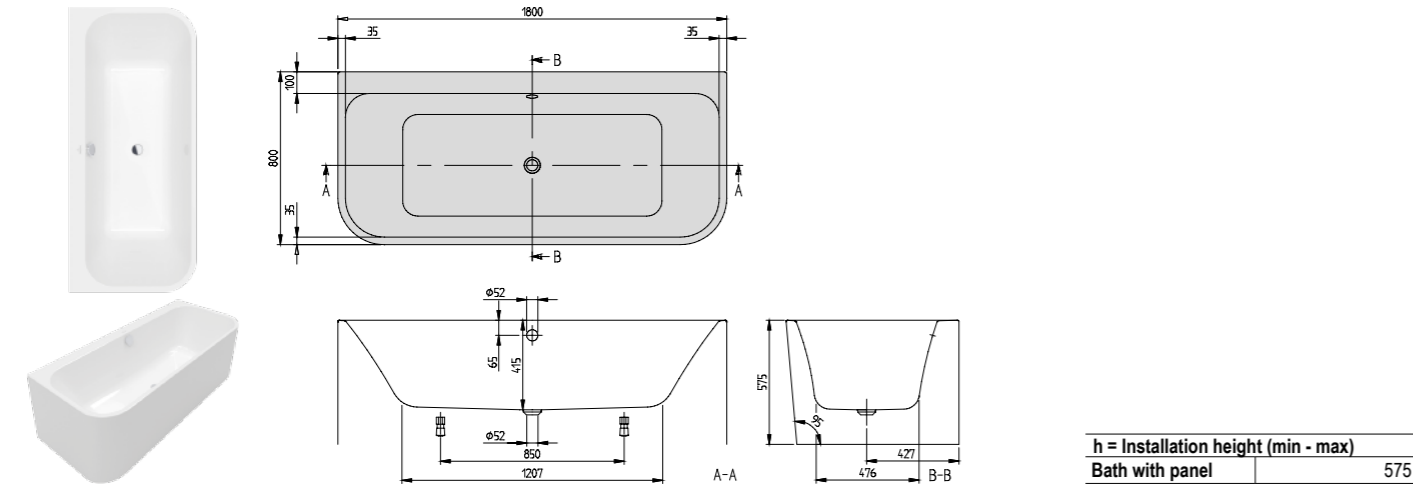
Accessories for baths (optional)

Article number	Description	Price
U90960461	Waste/overflow combination, chrome	214,-
U90960361	Outlet/overflow fitting with water inlet, chrome	481,-
U99740000	Bath feet, plastic, for baths with even bottom, adjustable from 130 to 180 mm	27,-

ARCHITECTURA (Wall-facing 1800 x 800) Acrylic

GBP excl. VAT

Backrest form:	Symmetric (two identical backrests)
Included in scope of delivery:	Set of bath feet is supplied as standard.
Not included in scope of delivery:	Waste and overflow combination Requires extended waste/overflow combination.
Technical information:	Panel in the same colour as the bath No tap holes are possible over a length of 390 mm in the centre of the long side.
Matching sanitary ceramics:	Architectura
Matching furniture programme:	Architectura
Matching tap fittings programme:	Architectura Square

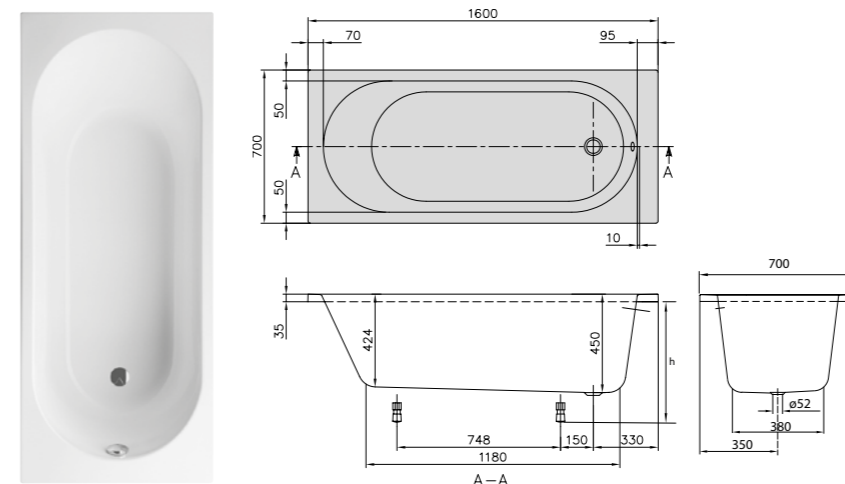


Article number	Description	Size l x w	Bottom l x w	Depth	Litres incl. 1 pers	Weight (kg)	01	pcs/pal.
UBA 180 ARE 9CS00V-01	Architectura, wall-facing, seamless	1800 x 800	1207 x 469	415	155	60	2.154,-	1
Accessories for baths (optional)								
Article number	Description	Price						
U90960461	Waste/overflow combination, chrome	214,-						
U90960361	Outlet/overflow fitting with water inlet, chrome	481,-						
U99740000	Bath feet, plastic, for baths with even bottom, adjustable from 130 to 180 mm	27,-						

O.NOVO (Rectangle 1600 x 700) Acrylic

GBP excl. VAT

Backrest form:	Asymmetric (non-identical backrests)
Not included in scope of delivery:	Set of bath feet is not supplied as standard. Requires extended waste/overflow combination.
Matching sanitary ceramics:	O.novo
Matching tap fittings programme:	O.novo



h = Installation height (min - max)
Bath 575 - 625

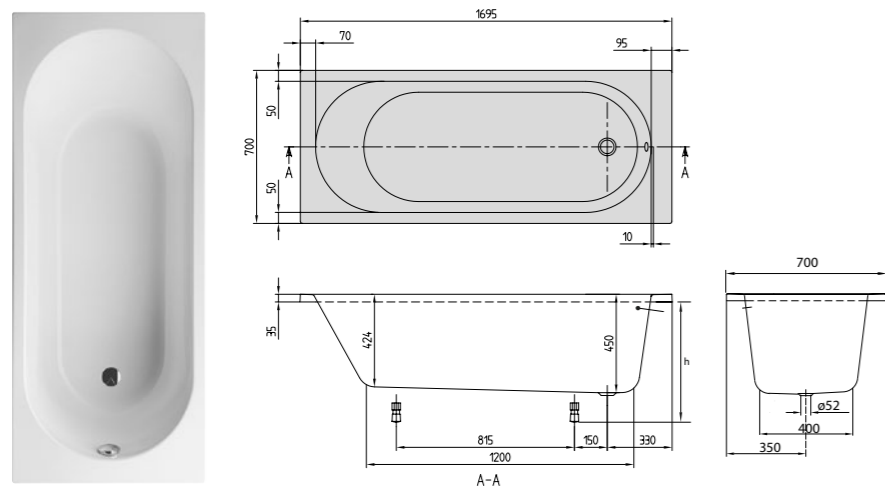
Article number	Description	Size l x w	Bottom l x w	Depth	Litres incl. 1 pers	Weight (kg)	01	pcs/pal.
UBA 160 CAS 2V-01	O.novo	1600 x 700	1180 x 400	450	125	20	473,-	20

Accessories for baths (optional)		Price
Article number	Description	
U90170061	Handgrips, 1 pair = 2 grips, chrome	260,-
U90960461	Waste/overflow combination, chrome	214,-
U90960361	Outlet/overflow fitting with water inlet, chrome	481,-
U99740000	Bath feet, plastic, for baths with even bottom, adjustable from 130 to 180 mm	27,-

O.NOVO (Rectangle 1700 x 700) Acrylic

GBP excl. VAT

Backrest form: Asymmetric (non-identical backrests)
Not included in scope of delivery: Set of bath feet is not supplied as standard. Requires extended waste/overflow combination.
Matching sanitary ceramics: O.novo
Matching tap fittings programme: O.novo



h = Installation height (min - max)
 Bath 575 - 625

Article number	Description	Size l x w	Bottom l x w	Depth	Litres incl. 1 pers	Weight (kg)	01	pcs/pal.
UBA 177 CAS 2V-01	O.novo	1700 x 700	1200 x 400	450	140	22	473,-	20

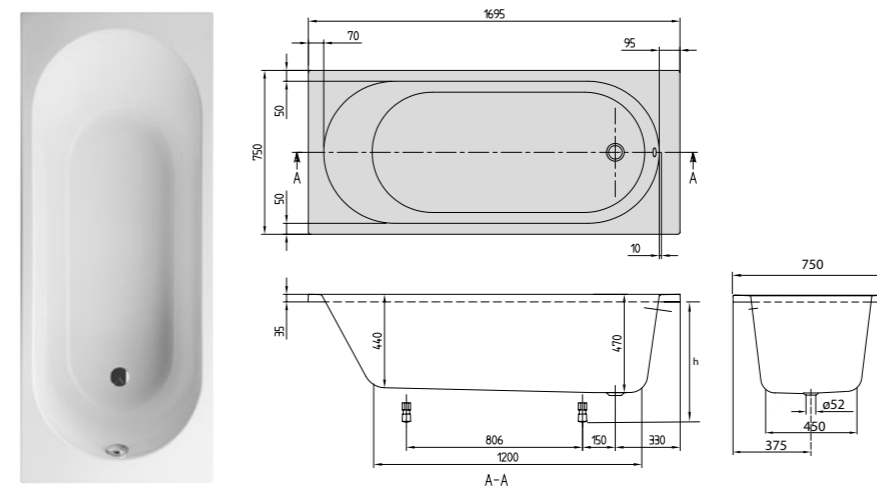
Accessories for baths (optional)

Article number	Description	Price
U90170061	Handgrips, 1 pair = 2 grips, chrome	260,-
U90960461	Waste/overflow combination, chrome	214,-
U90960361	Outlet/overflow fitting with water inlet, chrome	481,-
U99740000	Bath feet, plastic, for baths with even bottom, adjustable from 130 to 180 mm	27,-

O.NOVO (Rectangle 1700 x 750) Acrylic

GBP excl. VAT

Backrest form: Asymmetric (non-identical backrests)
Not included in scope of delivery: Set of bath feet is not supplied as standard. Requires extended waste/overflow combination.
Matching sanitary ceramics: O.novo
Matching tap fittings programme: O.novo



h = Installation height (min - max)
 Bath 595 - 645

Article number	Description	Size l x w	Bottom l x w	Depth	Litres incl. 1 pers	Weight (kg)	01	pcs/pal.
UBA 170 CAS 2V-01	O.novo	1700 x 750	1200 x 430	470	170	22	473,-	20

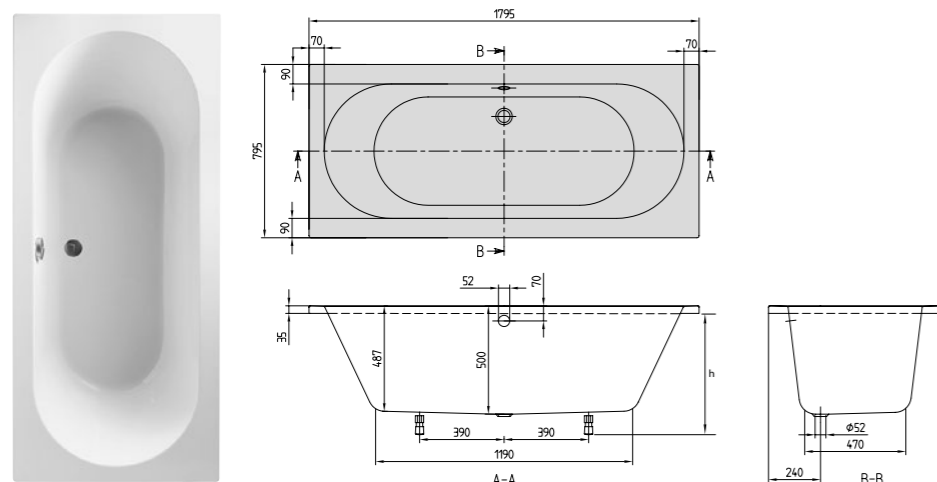
Accessories for baths (optional)

Article number	Description	Price
U90170061	Handgrips, 1 pair = 2 grips, chrome	260,-
U90960461	Waste/overflow combination, chrome	214,-
U90960361	Outlet/overflow fitting with water inlet, chrome	481,-
U99740000	Bath feet, plastic, for baths with even bottom, adjustable from 130 to 180 mm	27,-

O.NOVO (Rectangle 1800 x 800) Acrylic

GBP excl. VAT

Backrest form: Symmetric (two identical backrests)
Not included in scope of delivery: Set of bath feet is not supplied as standard. Requires extended waste/overflow combination.
Matching sanitary ceramics: O.novo
Matching tap fittings programme: O.novo



h = Installation height (min - max)
Bath 625 - 675

Article number	Description	Size l x w	Bottom l x w	Depth	Litres incl. 1 pers	Weight (kg)	01	pcs/pal.
UBA 180 CAS 2V-01	O.novo	1800 x 800	1190 x 470	500	200	23,5	739,-	20

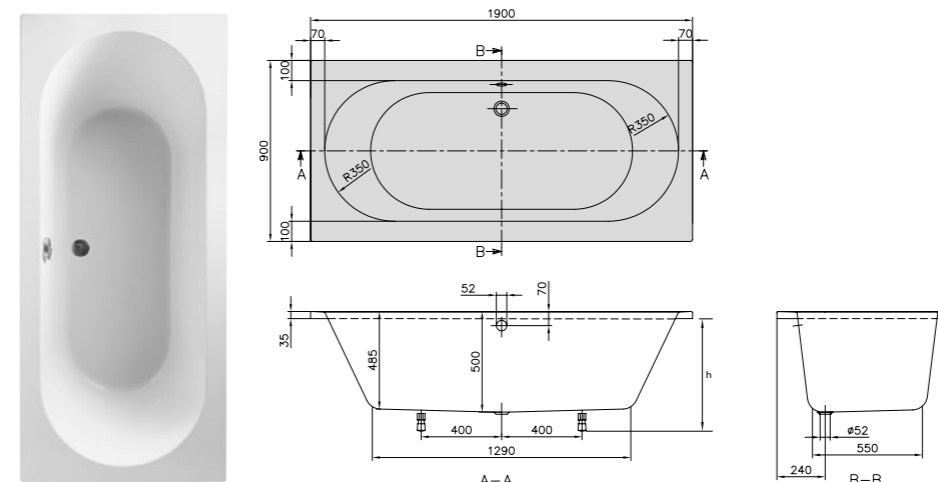
Accessories for baths (optional)

Article number	Description	Price
U90170061	Handgrips, 1 pair = 2 grips, chrome	260,-
U90960461	Waste/overflow combination, chrome	214,-
U90960361	Outlet/overflow fitting with water inlet, chrome	481,-
U99740000	Bath feet, plastic, for baths with even bottom, adjustable from 130 to 180 mm	27,-

O.NOVO (Rectangle 1900 x 900) Acrylic

GBP excl. VAT

Backrest form: Symmetric (two identical backrests)
Not included in scope of delivery: Set of bath feet is not supplied as standard. Requires extended waste/overflow combination.
Matching sanitary ceramics: O.novo
Matching tap fittings programme: O.novo



h = Installation height (min - max)
Bath 625 - 675

Article number	Description	Size l x w	Bottom l x w	Depth	Litres incl. 1 pers	Weight (kg)	01	pcs/pal.
UBA 190 CAS 2V-01	O.novo	1900 x 900	1290 x 550	500	220	26	936,-	20

Accessories for baths (optional)

Article number	Description	Price
U90170061	Handgrips, 1 pair = 2 grips, chrome	260,-
U90960461	Waste/overflow combination, chrome	214,-
U90960361	Outlet/overflow fitting with water inlet, chrome	481,-
U99740000	Bath feet, plastic, for baths with even bottom, adjustable from 130 to 180 mm	27,-

TAPS

ARCHITECTURA

Taps

Clearly drafted design

Sleek contours and distinctive details, such as the flat spouts, engage perfectly with each other. The modern design with its straight contours is ideal for creating individual home interiors.

Design and special features

- Washbasin mixers with built-in EasyClean aerator
- Optional Ring for easy installation on uneven surfaces (O-ring)
- Matching sanitary ceramics: Architectura



Finishes



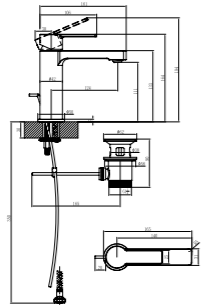
Chrome

ARCHITECTURA

ARCHITECTURA

GBP excl. VAT

Single-lever basin mixer

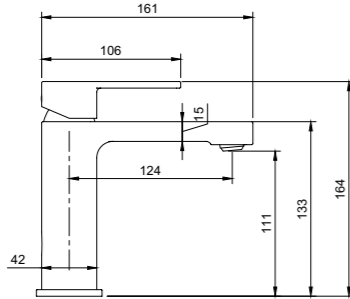


- With push/pull rod lever and pop-up waste
- Material: Brass
- Deck-mounted
- Connection Type 3/8"
- Max flow rate at 3 bar 4,6 l/min
- Spout length 124 mm
- Spout height 111 mm



Article number	Description	Price
TVW10300400061	Chrome	170,-

Single-lever basin mixer

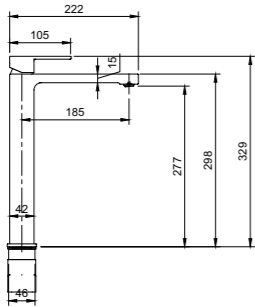


- Without waste
- Material: Brass
- Deck-mounted
- Connection Type 3/8"
- Max flow rate at 3 bar 4,6 l/min
- Spout length 124 mm
- Spout height 111 mm



Article number	Description	Price
TVW10300400161	Chrome	161,-

Tall single-lever basin mixer

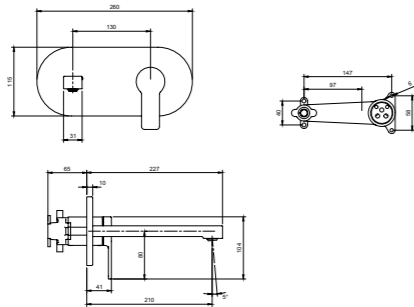


- With push-open waste
- Material: Brass
- Deck-mounted
- Connection Type 3/8"
- Max flow rate at 3 bar 4,6 l/min
- Spout length 185 mm
- Spout height 276 mm



Article number	Description	Price
TVW10300500061	Chrome	252,-

Single-lever basin mixer



- With push-open waste
- Material: Brass
- Wall-mounted
- Max flow rate at 3 bar 4,0 l/min
- Spout length 147 mm



Article number	Description	Price
TVW10311211061	Chrome	281,-

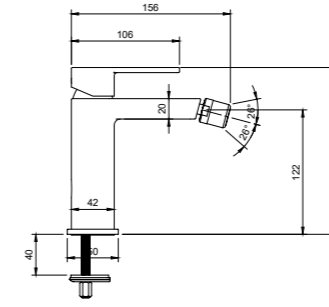
Required Miscellaneous

Article number	Description	Price
TVW00015200000	Universal concealed installation unit for single-lever mixer / see page 165	105,-

ARCHITECTURA

GBP excl. VAT

Single-lever bidet mixer

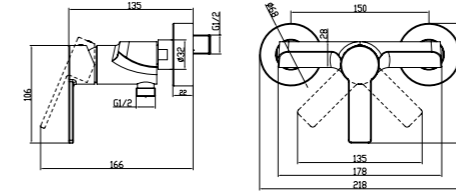


- With push/pull rod lever and pop-up waste
- Material: Brass
- Deck-mounted
- Connection Type 3/8"
- Max flow rate at 3 bar 4,5 l/min
- Spout length 136 mm
- Spout height 113 mm



Article number	Description	Price
TVB10300100061	Chrome	161,-

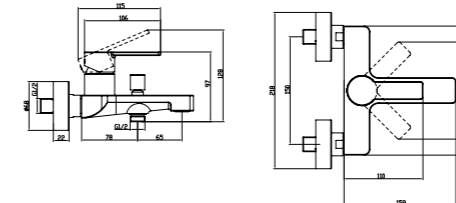
Single-lever shower mixer



- Material: Brass
- Wall-mounted
- Connection Type 1/2"
- Hand shower hose connection 1/2"
- Max flow rate at 3 bar 22,3 l/min
- With backflow preventer

Article number	Description	Price
TVS10300100061	Chrome	180,-

Single-lever bath & shower mixer

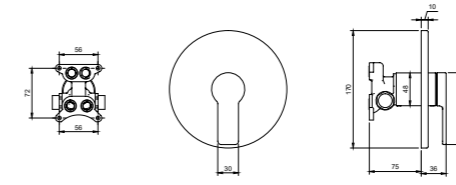


- Material: Brass
- Wall-mounted
- Connection Type 1/2"
- Hand shower hose connection 1/2"
- Max flow rate at 3 bar 27,0 l/min
- With automatic diverter
- Spout length 182 mm



Article number	Description	Price
TVT10300200061	Chrome	195,-

Concealed single-lever bath / shower mixer



- Material: Brass
- Wall-mounted
- Connection Type 1/2"

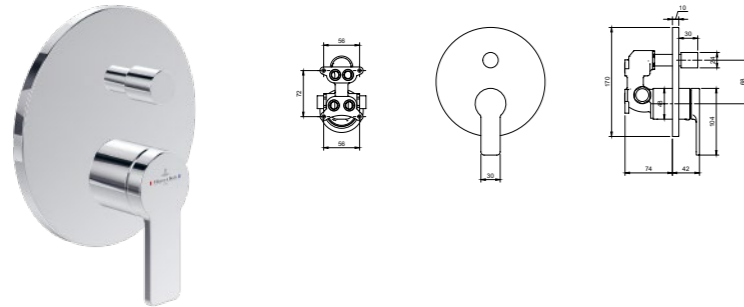
Article number	Description	Price
TVS10335200061	Chrome	170,-

Required Miscellaneous

Article number	Description	Price
TVS00035100000	Vi-Box universal concealed installation unit for single-lever mixer / see page 165	94,-

ARCHITECTURA

Concealed single-lever bath / shower mixer



- Material: Brass
- Wall-mounted
- Connection Type 1/2"
- With automatic diverter

Article number	Description	Price
TVS10335300061	Chrome	180,-

Required Miscellaneous

Article number	Description	Price
TVS00035100000	Vi-Box universal concealed installation unit for single-lever mixer / see page 165	94,-

ARCHITECTURA SQUARE

Taps

Comfort of Square shaped design

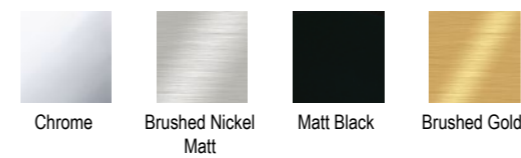
Comfortably square shaped design lines for a metropolitan look inside the bathroom. A gentle touch of soft square edges to provide an undoubtable mixture between comfort and metropolitan design look.

Design and special features

- Washbasin mixers with built-in EasyClean aerator
- Comfort-Plus with the carefully selected height and projection.
- Matching sanitary ceramics: Architectura



Finishes



Chrome

Brushed Nickel
Matt

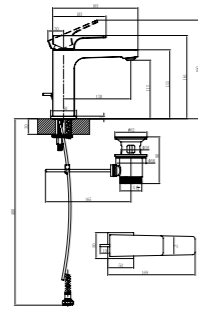
Matt Black

Brushed Gold

ARCHITECTURA SQUARE

GBP excl. VAT

Single-lever basin mixer

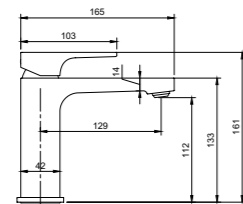


- With push/pull rod lever and pop-up waste
- Material: Brass
- Deck-mounted
- Connection Type 3/8"
- Max flow rate at 3 bar 4,7 l/min
- Spout length 130 mm
- Spout height 113 mm



Article number	Description	Price
TVW12500100061	Chrome	194,-
TVW12500100064	Brushed Nickel Matt	272,-
TVW12500100076	Brushed Gold	272,-
TVW125001000K5	Matt Black	272,-

Single-lever basin mixer



- Without waste
- Material: Brass
- Deck-mounted
- Connection Type 3/8"
- Max flow rate at 3 bar 4,7 l/min
- Spout length 130 mm
- Spout height 113 mm

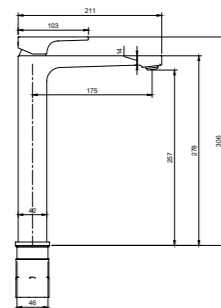


Article number	Description	Price
TVW12500400061	Chrome	183,-
TVW12500400064	Brushed Nickel Matt	259,-
TVW12500400076	Brushed Gold	259,-
TVW125004000K5	Matt Black	259,-

Optional miscellaneous

Article number	Description	Price
TVP0000301061	Push-Open waste, Chrome / see page 164	50,-
TVP0000302064	Push-Open waste, Brushed Nickel Matt / see page 164	98,-
TVP00003020K5	Push-Open waste, Matt Black / see page 164	98,-

Tall single-lever basin mixer



- With push-open waste
- Material: Brass
- Deck-mounted
- Connection Type 3/8"
- Max flow rate at 3 bar 4,9 l/min
- Spout length 176 mm
- Spout height 258 mm

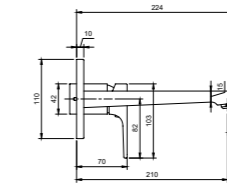
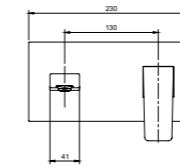
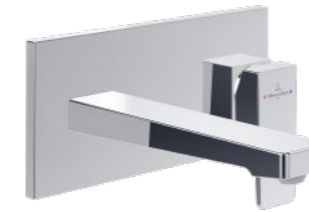


Article number	Description	Price
TVW12500200061	Chrome	286,-
TVW12500200064	Brushed Nickel Matt	401,-
TVW12500200076	Brushed Gold	401,-
TVW125002000K5	Matt Black	401,-

ARCHITECTURA SQUARE

GBP excl. VAT

Single-lever basin mixer



- With push-open waste
- Material: Brass
- Wall-mounted
- Connection Type 3/8"
- Max flow rate at 3 bar 4,6 l/min
- Spout length 147 mm

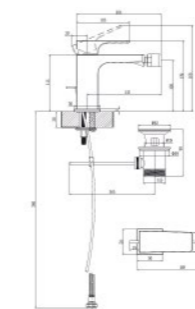


Article number	Description	Price
TVW12500300061	Chrome	286,-
TVW12500300064	Brushed Nickel Matt	401,-
TVW12500300076	Brushed Gold	401,-
TVW125003000K5	Matt Black	401,-

Required Miscellaneous

Article number	Description	Price
TVW00015200000	Universal concealed installation unit for single-lever mixer / see page 165	105,-

Single-lever bidet mixer

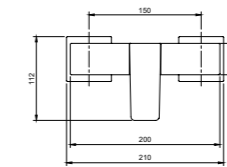
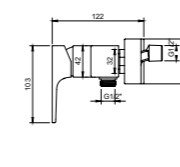
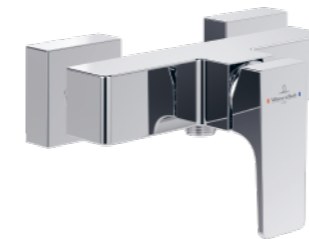


- With push/pull rod lever and pop-up waste
- Material: Brass
- Deck-mounted
- Connection Type 3/8"
- Max flow rate at 3 bar 4,3 l/min
- Spout length 143 mm
- Spout height 100 mm



Article number	Description	Price
TVB12500100061	Chrome	194,-
TVB12500100064	Brushed Nickel Matt	272,-
TVB12500100076	Brushed Gold	272,-
TVB125001000K5	Matt Black	272,-

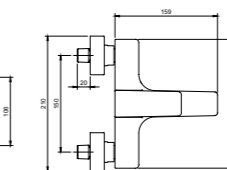
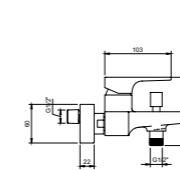
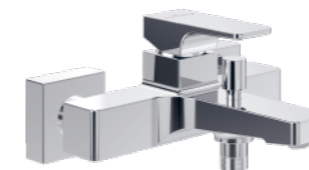
Single-lever shower mixer



- Material: Brass
- Wall-mounted
- Connection Type 1/2"
- Hand shower hose connection 1/2"
- Max flow rate at 3 bar 13,2 l/min
- With backflow preventer

Article number	Description	Price
TVS12500100061	Chrome	205,-
TVS12500100064	Brushed Nickel Matt	286,-
TVS12500100076	Brushed Gold	286,-
TVS125001000K5	Matt Black	286,-

Single-lever bath & shower mixer



- Material: Brass
- Wall-mounted
- Connection Type 1/2"
- Hand shower hose connection 1/2"
- Max flow rate at 3 bar 21,9 l/min
- With backflow preventer
- With diverter
- Spout length 145 mm

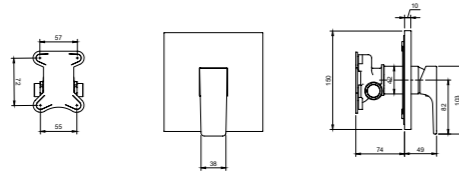


Article number	Description	Price
TVT12500100061	Chrome	252,-
TVT12500100064	Brushed Nickel Matt	355,-
TVT12500100076	Brushed Gold	355,-
TVT125001000K5	Matt Black	355,-

ARCHITECTURA SQUARE

GBP excl. VAT

Concealed single-lever bath / shower mixer



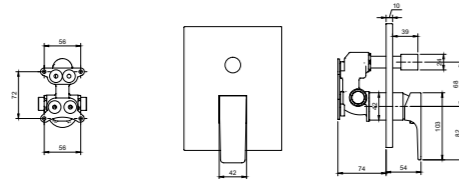
- Material: Brass
- Wall-mounted
- Connection Type 1/2"
- Max flow rate at 3 bar 22,6 l/min

Article number	Description	Price
TVS12500200061	Chrome	180,-
TVS12500200064	Brushed Nickel Matt	252,-
TVS12500200076	Brushed Gold	252,-
TVS125002000K5	Matt Black	252,-

Required Miscellaneous

Article number	Description	Price
TVS00035100000	Vi-Box universal concealed installation unit for single-lever mixer / see page 165	94,-

Concealed single-lever bath / shower mixer



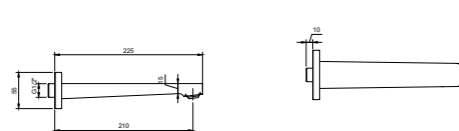
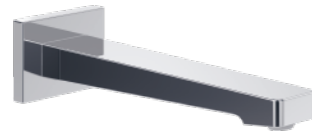
- Material: Brass
- Wall-mounted
- Connection Type 1/2"
- Max flow rate at 3 bar 20,5 l/min
- With diverter

Article number	Description	Price
TVS12500300061	Chrome	195,-
TVS12500300064	Brushed Nickel Matt	273,-
TVS12500300076	Brushed Gold	273,-
TVS125003000K5	Matt Black	273,-

Required Miscellaneous

Article number	Description	Price
TVS00035100000	Vi-Box universal concealed installation unit for single-lever mixer / see page 165	94,-

Bath spout



- Material: Brass
- Wall-mounted
- Connection Type 1/2"
- Max flow rate at 3 bar 21,9 l/min
- Spout length 210 mm



Article number	Description	Price
TVT12500200061	Chrome	123,-
TVT12500200064	Brushed Nickel Matt	171,-
TVT12500200076	Brushed Gold	171,-
TVT125002000K5	Matt Black	171,-

ELEMENTS - STRIKING

GBP excl. VAT

Taps

The striking line

Elements Striking add the finishing touch to contemporary bathroom architecture. The straight-line accessories capture the clear design language of our modern taps collections and become stylish design elements in the bathroom. High-quality materials such as chrome-plated brass and glass make Elements Striking a reliable solution for purist bathrooms.

Design and special features

- Straight-line, modern design for a purist look
- Concealed screws for flawless, sophisticated aesthetics



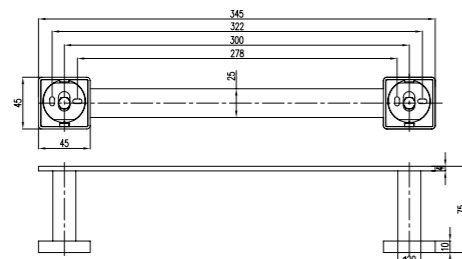
Finishes



- Please note for subsequent orders: slight variations in colour may occur between different production batches.
- Please follow the instructions when caring for tap fittings and accessories.

ELEMENTS - STRIKING

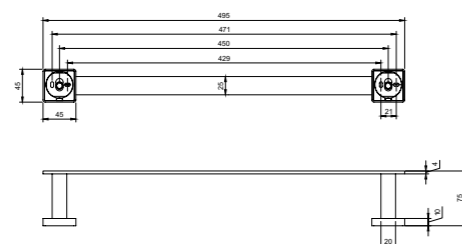
Towel rail



- Material: Brass
- Wall-mounted
- Length: 345 mm

Article number	Description	Price
TVA15200900061	Chrome	94,-
TVA15200900064	Brushed Nickel Matt	131,-
TVA15200900076	Brushed Gold	131,-
TVA152009000K5	Matt Black	131,-

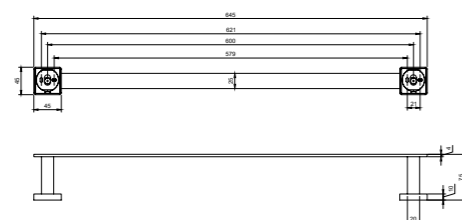
Towel rail



- Material: Brass
- Wall-mounted
- Length: 495 mm

Article number	Description	Price
TVA15200100061	Chrome	111,-
TVA15200100064	Brushed Nickel Matt	157,-
TVA15200100076	Brushed Gold	157,-
TVA152001000K5	Matt Black	157,-

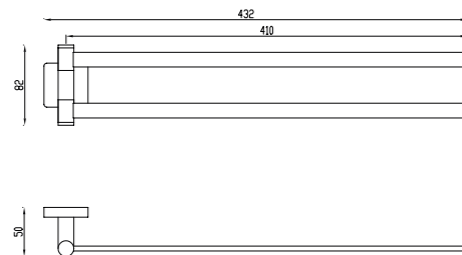
Towel rail



- Material: Brass
- Wall-mounted
- Length: 645 mm

Article number	Description	Price
TVA15200200061	Chrome	143,-
TVA15200200064	Brushed Nickel Matt	200,-
TVA15200200076	Brushed Gold	200,-
TVA152002000K5	Matt Black	200,-

Towel holder, double-arm

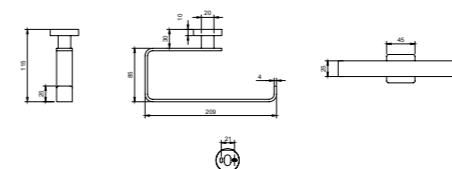


- Material: Brass
- Wall-mounted
- Swivel
- Length: 410 mm

Article number	Description	Price
TVA15202500061	Chrome	231,-
TVA15202500064	Brushed Nickel Matt	322,-
TVA15202500076	Brushed Gold	322,-
TVA152025000K5	Matt Black	322,-

ELEMENTS - STRIKING

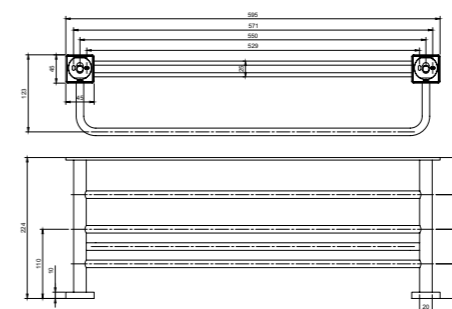
Towel rail



- Material: Brass
- Wall-mounted

Article number	Description	Price
TVA15200500061	Chrome	85,-
TVA15200500064	Brushed Nickel Matt	121,-
TVA15200500076	Brushed Gold	121,-
TVA152005000K5	Matt Black	121,-

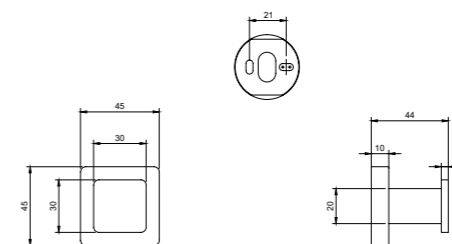
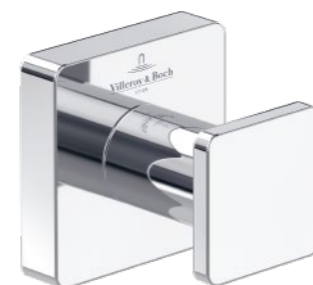
Towel rack



- Material: Brass
- Wall-mounted
- Length: 595 mm

Article number	Description	Price
TVA15200600061	Chrome	293,-
TVA15200600064	Brushed Nickel Matt	409,-
TVA15200600076	Brushed Gold	409,-
TVA152006000K5	Matt Black	409,-

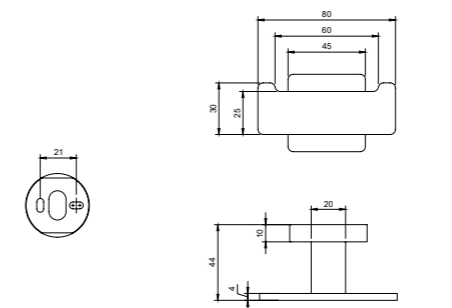
Towel hook



- Material: Brass
- Wall-mounted

Article number	Description	Price
TVA15201100061	Chrome	52,-
TVA15201100064	Brushed Nickel Matt	73,-
TVA15201100076	Brushed Gold	73,-
TVA152011000K5	Matt Black	73,-

Double robe hook



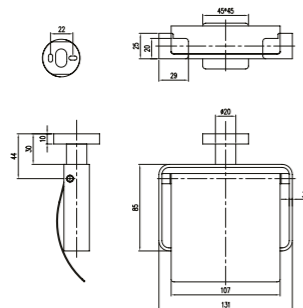
- Material: Brass
- Wall-mounted

Article number	Description	Price
TVA15201200061	Chrome	57,-
TVA15201200064	Brushed Nickel Matt	80,-
TVA15201200076	Brushed Gold	80,-
TVA152012000K5	Matt Black	80,-

ELEMENTS - STRIKING

GBP excl. VAT

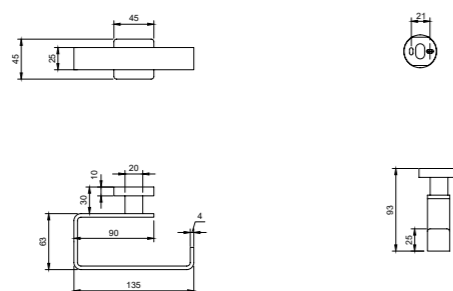
Toilet roll holder with cover



- Material: Brass
- Wall-mounted

Article number	Description	Price
TVA15201300061	Chrome	102,-
TVA15201300064	Brushed Nickel Matt	144,-
TVA15201300076	Brushed Gold	144,-
TVA152013000K5	Matt Black	144,-

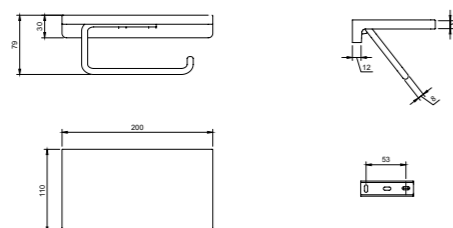
Toilet roll holder without cover



- Material: Brass
- Wall-mounted

Article number	Description	Price
TVA15201400061	Chrome	69,-
TVA15201400064	Brushed Nickel Matt	98,-
TVA15201400076	Brushed Gold	98,-
TVA152014000K5	Matt Black	98,-

Toilet roll holder with shelf



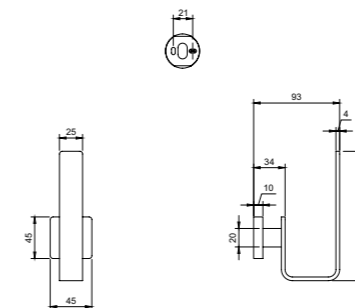
- Material: Brass/zinc
- Wall-mounted

Article number	Description	Price
TVA15202300061	Chrome	117,-
TVA152023000K5	Matt Black	164,-
TVA15202300064	Brushed Nickel Matt	164,-
TVA15202300076	Brushed Gold	164,-

ELEMENTS - STRIKING

GBP excl. VAT

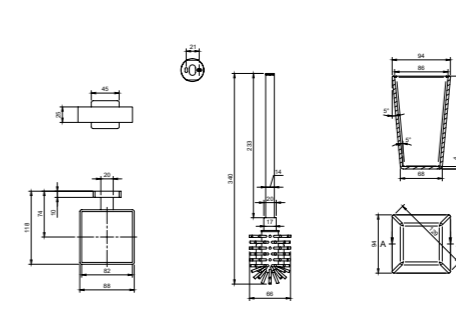
Spare toilet roll holder



- Material: Brass
- Wall-mounted

Article number	Description	Price
TVA15201500061	Chrome	57,-
TVA15201500064	Brushed Nickel Matt	80,-
TVA15201500076	Brushed Gold	80,-
TVA152015000K5	Matt Black	80,-

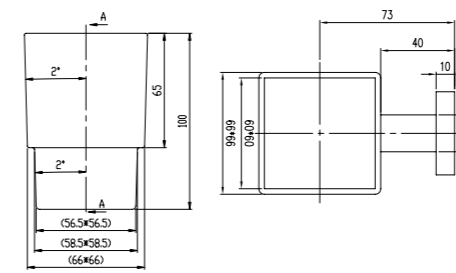
Toilet brush set



- Material: Brass
- Wall-mounted
- Bottle made of frosted glass
- Incl. toilet brush

Article number	Description	Price
TVA15201700061	Chrome	163,-
TVA15201700064	Brushed Nickel Matt	230,-
TVA15201700076	Brushed Gold	230,-
TVA152017000K5	Matt Black	230,-

Tumbler holder



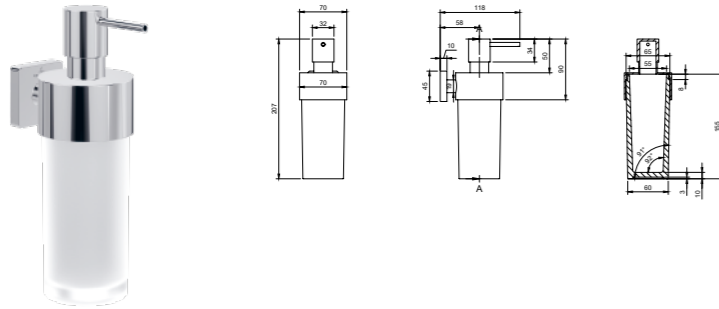
- Material: Brass
- Wall-mounted
- Tumbler made of frosted glass

Article number	Description	Price
TVA15201900061	Chrome	96,-
TVA15201900064	Brushed Nickel Matt	134,-
TVA15201900076	Brushed Gold	134,-
TVA152019000K5	Matt Black	134,-

ELEMENTS - STRIKING

GBP excl. VAT

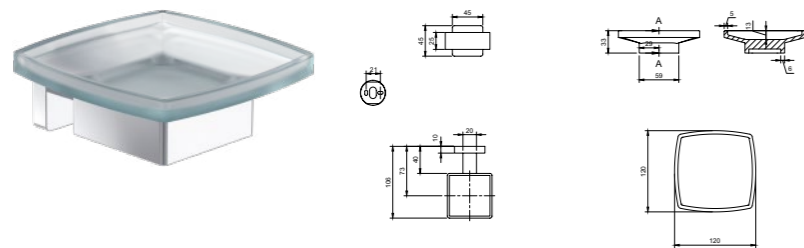
Soap dispenser



- Material: Brass
- Wall-mounted
- Bottle made of frosted glass
- Bottle volume: 230 ml

Article number	Description	Price
TVA15200700061	Chrome	145,-
TVA15200700064	Brushed Nickel Matt	202,-
TVA15200700076	Brushed Gold	202,-
TVA152007000K5	Matt Black	202,-

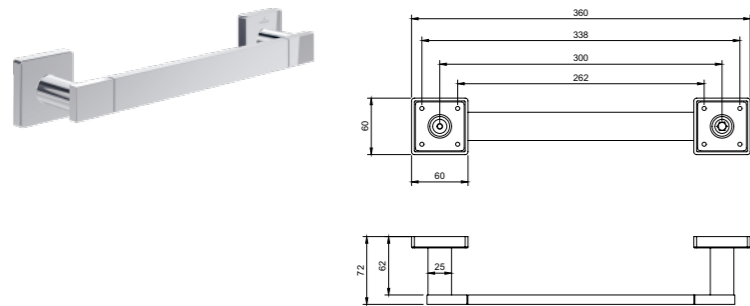
Soap dish



- Material: Brass
- Wall-mounted
- Soap dish made of frosted glass

Article number	Description	Price
TVA15202000061	Chrome	70,-
TVA15202000064	Brushed Nickel Matt	98,-
TVA15202000076	Brushed Gold	98,-
TVA152020000K5	Matt Black	98,-

Holding handle



- Material: Brass
- Wall-mounted
- Length: 360 mm

Article number	Description	Price
TVA15202200061	Chrome	166,-
TVA15202200064	Brushed Nickel Matt	232,-
TVA15202200076	Brushed Gold	232,-
TVA152022000K5	Matt Black	232,-

ELEMENTS - TENDER

GBP excl. VAT

Taps

The gentle line

An all-round success: the timelessly elegant accessories harmonise perfectly with the attractive taps by Villeroy & Boch and blend discreetly into every bathroom concept. Made of high-quality materials, the products meet the highest demands on quality and function. Elements Tender - indispensable accessories for an aesthetic bathroom design.

Design and special features

- Round contours bring harmony and elegance to the bathroom
- Concealed screws for flawless, sophisticated aesthetics

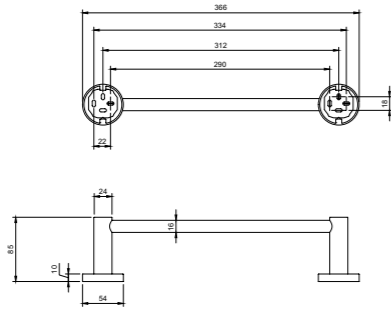


Finishes



ELEMENTS - TENDER

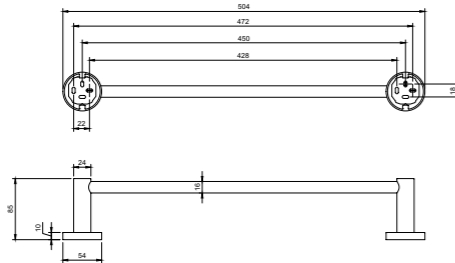
Towel rail



- Material: Brass/zinc
- Wall-mounted
- Length: 312 mm

Article number	Description	Price
TVA15102100061	Chrome	67,-
TVA15102100064	Brushed Nickel Matt	93,-
TVA15102100076	Brushed Gold	93,-
TVA151021000K5	Matt Black	93,-

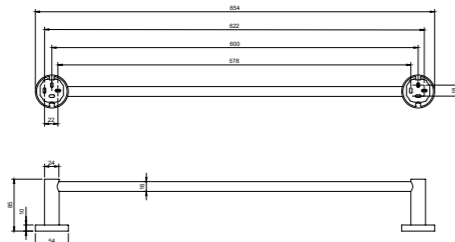
Towel rail



- Material: Brass/zinc
- Wall-mounted
- Length: 450 mm

Article number	Description	Price
TVA15100100061	Chrome	71,-
TVA15100100064	Brushed Nickel Matt	100,-
TVA15100100076	Brushed Gold	100,-
TVA151001000K5	Matt Black	100,-

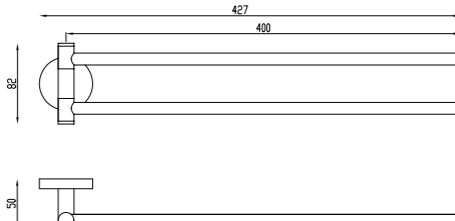
Towel rail



- Material: Brass/zinc
- Wall-mounted
- Length: 600 mm

Article number	Description	Price
TVA15100200061	Chrome	95,-
TVA15100200064	Brushed Nickel Matt	133,-
TVA15100200076	Brushed Gold	133,-
TVA151002000K5	Matt Black	133,-

Towel holder, double-arm

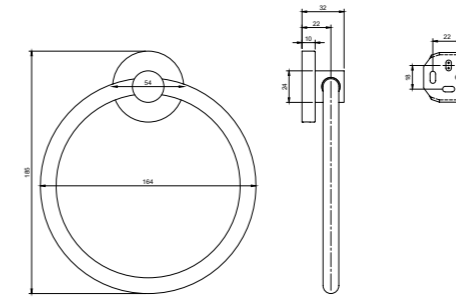


- Material: Brass/zinc
- Wall-mounted
- Swivel
- Length: 400 mm

Article number	Description	Price
TVA15103800061	Chrome	183,-
TVA15103800064	Brushed Nickel Matt	257,-
TVA15103800076	Brushed Gold	257,-
TVA151038000K5	Matt Black	257,-

ELEMENTS - TENDER

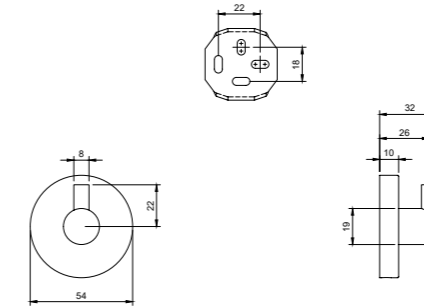
Towel ring



- Material: Brass/zinc
- Wall-mounted

Article number	Description	Price
TVA15100500061	Chrome	52,-
TVA15100500064	Brushed Nickel Matt	73,-
TVA15100500076	Brushed Gold	73,-
TVA151005000K5	Matt Black	73,-

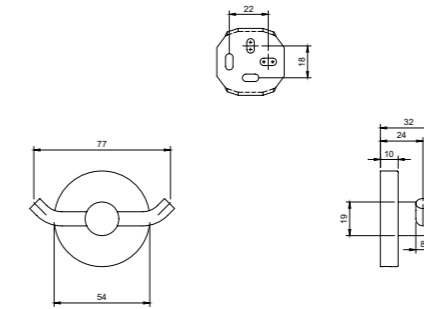
Towel hook



- Material: Brass/zinc
- Wall-mounted

Article number	Description	Price
TVA15101100061	Chrome	41,-
TVA15101100064	Brushed Nickel Matt	57,-
TVA15101100076	Brushed Gold	57,-
TVA151011000K5	Matt Black	57,-

Double robe hook

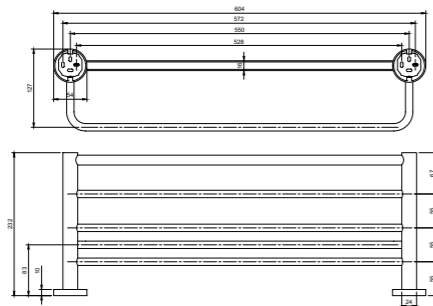


- Material: Brass/zinc
- Wall-mounted

Article number	Description	Price
TVA15101200061	Chrome	45,-
TVA15101200064	Brushed Nickel Matt	65,-
TVA15101200076	Brushed Gold	65,-
TVA151012000K5	Matt Black	65,-

ELEMENTS - TENDER

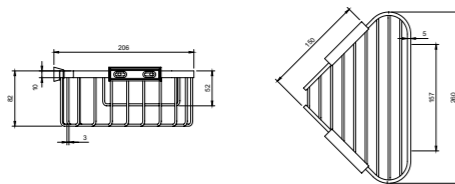
Towel rack



- Material: Brass/zinc
- Wall-mounted
- Length: 600 mm

Article number	Description	Price
TVA15100600061	Chrome	246,-
TVA15100600064	Brushed Nickel Matt	346,-
TVA15100600076	Brushed Gold	346,-
TVA151006000K5	Matt Black	346,-

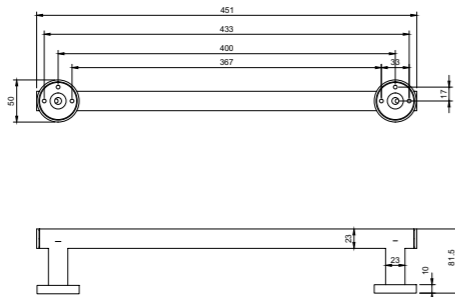
Corner soap basket



- Material: Brass/zinc
- Wall-mounted

Article number	Description	Price
TVA15100900061	Chrome	71,-
TVA15100900064	Brushed Nickel Matt	100,-
TVA15100900076	Brushed Gold	100,-
TVA151009000K5	Matt Black	100,-

Holding handle

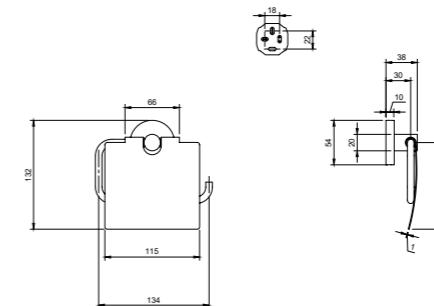


- Material: Brass/zinc
- Wall-mounted
- Length: 450 mm

Article number	Description	Price
TVA15101000061	Chrome	128,-
TVA15101000064	Brushed Nickel Matt	180,-
TVA15101000076	Brushed Gold	180,-
TVA151010000K5	Matt Black	180,-

ELEMENTS - TENDER

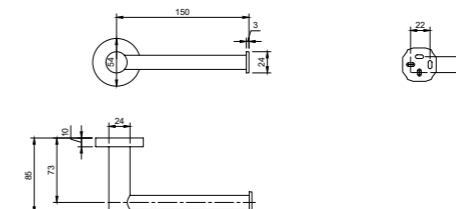
Toilet roll holder with cover



- Material: Brass/zinc
- Wall-mounted

Article number	Description	Price
TVA15101300061	Chrome	76,-
TVA15101300064	Brushed Nickel Matt	107,-
TVA15101300076	Brushed Gold	107,-
TVA151013000K5	Matt Black	107,-

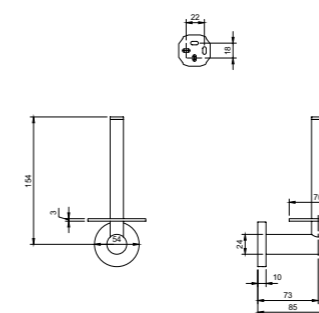
Toilet roll holder without cover



- Material: Brass/zinc
- Wall-mounted

Article number	Description	Price
TVA15101400061	Chrome	60,-
TVA15101400064	Brushed Nickel Matt	83,-
TVA15101400076	Brushed Gold	83,-
TVA151014000K5	Matt Black	83,-

Spare toilet roll holder



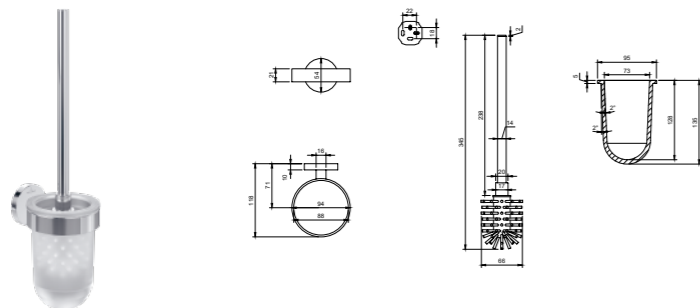
- Material: Brass/zinc
- Wall-mounted

Article number	Description	Price
TVA15101500061	Chrome	70,-
TVA15101500064	Brushed Nickel Matt	97,-
TVA15101500076	Brushed Gold	97,-
TVA151015000K5	Matt Black	97,-

ELEMENTS - TENDER

GBP excl. VAT

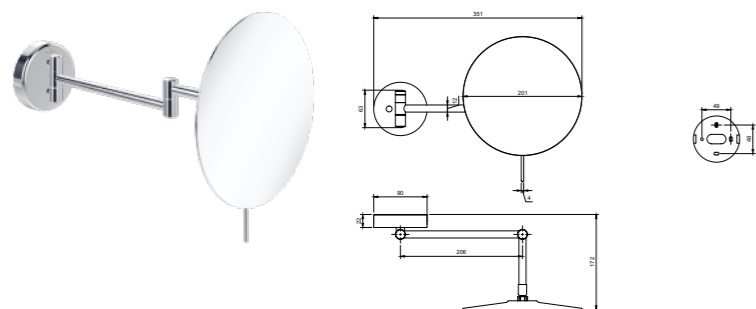
Toilet brush set



- Material: Brass/zinc
- Wall-mounted
- Bottle made of frosted glass
- Incl. toilet brush

Article number	Description	Price
TVA15101600061	Chrome	110,-
TVA15101600064	Brushed Nickel Matt	155,-
TVA15101600076	Brushed Gold	155,-
TVA151016000K5	Matt Black	155,-

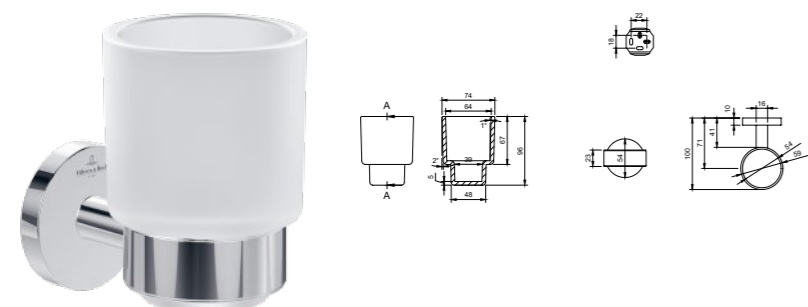
Adjustable makeup mirror



- Material: Zinc
- Wall-mounted

Article number	Description	Price
TVA15101700061	Chrome	329,-
TVA15101700064	Brushed Nickel Matt	461,-
TVA15101700076	Brushed Gold	461,-
TVA151017000K5	Matt Black	461,-

Tumbler holder



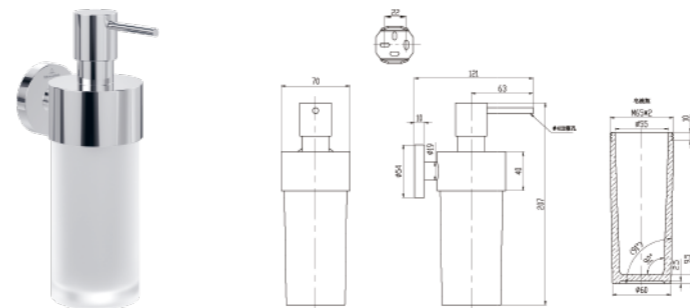
- Material: Brass/zinc
- Wall-mounted
- Tumbler made of frosted glass

Article number	Description	Price
TVA15101800061	Chrome	57,-
TVA15101800064	Brushed Nickel Matt	80,-
TVA15101800076	Brushed Gold	80,-
TVA151018000K5	Matt Black	80,-

ELEMENTS - TENDER

GBP excl. VAT

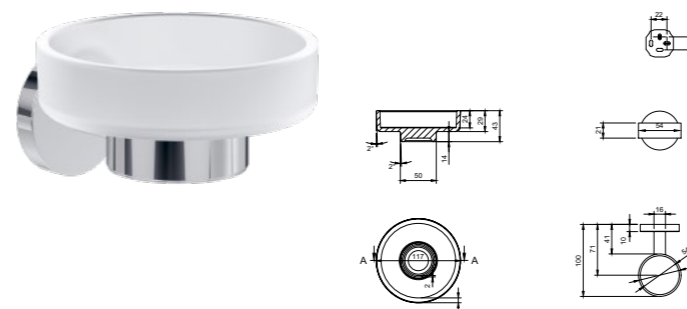
Soap dispenser



- Material: Brass/zinc
- Wall-mounted
- Bottle made of frosted glass
- Bottle volume: 230 ml

Article number	Description	Price
TVA15100700061	Chrome	209,-
TVA15100700064	Brushed Nickel Matt	294,-
TVA15100700076	Brushed Gold	294,-
TVA151007000K5	Matt Black	294,-

Soap dish



- Material: Brass/zinc
- Wall-mounted
- Soap dish made of frosted glass

Article number	Description	Price
TVA15101900061	Chrome	56,-
TVA15101900064	Brushed Nickel Matt	79,-
TVA15101900076	Brushed Gold	79,-
TVA151019000K5	Matt Black	79,-

O.NOVO

GBP excl. VAT

Taps

Strikingly discreet

The O.novo design language impresses with its simplicity and clarity. The modest shapes with rounded edges can be combined in many ways, always looking good.

Design and special features

- Lever and spout match the O.novo ceramic design
- Integrated EasyClean aerator
- Matching sanitary ceramics: O.novo



Finishes

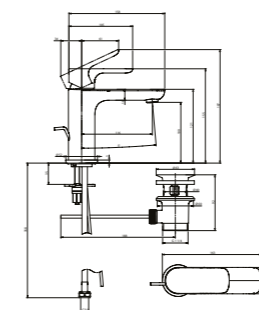


Chrome

O.NOVO

GBP excl. VAT

Single-lever basin mixer

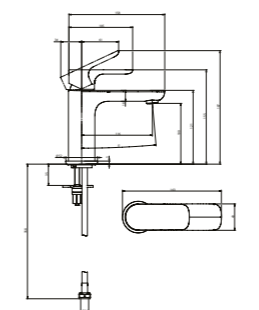


- With push/pull rod lever and pop-up waste
- Material: Brass
- Deck-mounted
- Connection Type 1/2"
- Max flow rate at 3 bar 4,6 l/min
- Spout length 117 mm
- Spout height 105 mm



Article number	Description	Price
TVW10400300061	Chrome	156,-

Single-lever basin mixer



- Without waste
- Material: Brass
- Deck-mounted
- Connection Type 3/8"
- Max flow rate at 3 bar 4,6 l/min
- Spout length 117 mm
- Spout height 105 mm

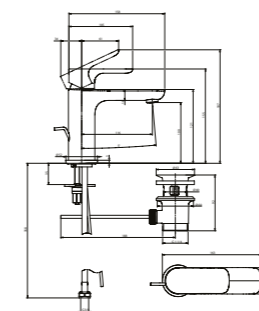


Article number	Description	Price
TVW10400300161	Chrome	156,-

Optional miscellaneous

Article number	Description	Price
TVP00000301061	Push-Open waste, Chrome / see page 164	50,-

Single-lever basin mixer Cold start



- With pop-up waste
- Material: Brass
- Deck-mounted
- Connection Type 3/8"
- Cold start
- Max flow rate at 3 bar 4,6 l/min
- Spout length 117 mm
- Spout height 105 mm



Article number	Description	Price
TVW10400400061	Chrome	156,-

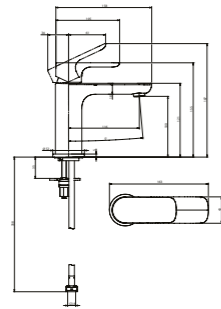
Optional miscellaneous

Article number	Description	Price
TVP00000301061	Push-Open waste, Chrome / see page 164	50,-

O.NOVO

GBP excl. VAT

Single-lever basin mixer Cold start



- Without waste
- Material: Brass
- Deck-mounted
- Connection Type 3/8"
- Cold start
- Max flow rate at 3 bar 4,6 l/min
- Spout length 117 mm
- Spout height 105 mm

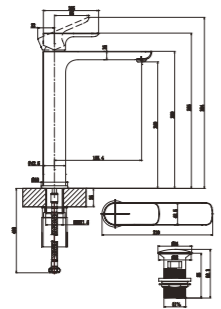


Article number	Description	Price
TVW10400400161	Chrome	156,-

Optional miscellaneous

Article number	Description	Price
TVP0000301061	Push-Open waste, Chrome / see page 164	50,-

Tall single-lever basin mixer

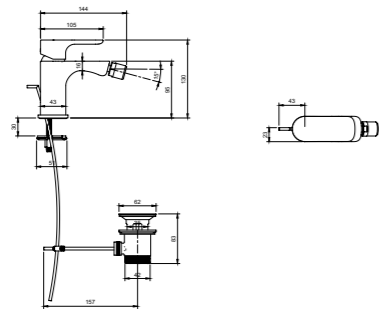


- With push-open waste
- Material: Brass
- Deck-mounted
- Connection Type 3/8"
- Max flow rate at 3 bar 4,8 l/min
- Spout length 165 mm
- Spout height 240 mm



Article number	Description	Price
TVW10410511061	Chrome	238,-

Single-lever bidet mixer

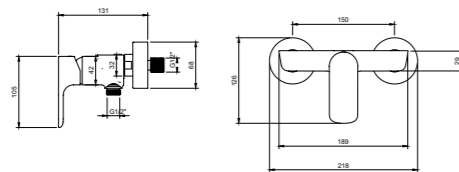


- With push/pull rod lever and pop-up waste
- Material: Brass
- Deck-mounted
- Connection Type 3/8"
- Max flow rate at 3 bar 4,8 l/min
- Spout length 121 mm
- Spout height 75 mm



Article number	Description	Price
TVB10420111061	Chrome	156,-

Single-lever shower mixer



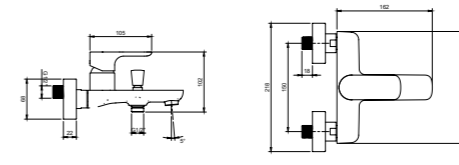
- Material: Brass
- Wall-mounted
- Connection Type 1/2"
- Hand shower hose connection 1/2"
- Max flow rate at 3 bar 22,3 l/min
- With backflow preventer

Article number	Description	Price
TVS10400100061	Chrome	176,-

O.NOVO

GBP excl. VAT

Single-lever bath & shower mixer

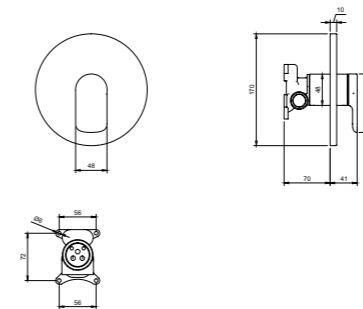


- Material: Brass
- Wall-mounted
- Connection Type 1/2"
- Hand shower hose connection 1/2"
- Max flow rate at 3 bar 28,2 l/min
- With backflow preventer
- With automatic diverter
- Spout length 162 mm
- Spout height 34 mm



Article number	Description	Price
TVT10400100061	Chrome	185,-

Concealed single-lever bath / shower mixer



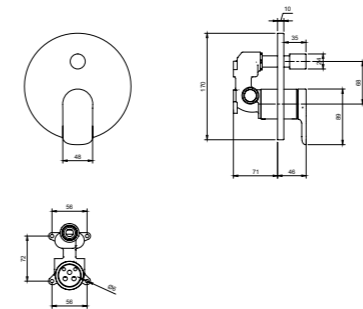
- Material: Brass
- Wall-mounted
- Max flow rate at 3 bar 19 l/min

Article number	Description	Price
TVS10435200061	Chrome	165,-

Required Miscellaneous

Article number	Description	Price
TVS00035100000	Vi-Box universal concealed installation unit for single-lever mixer / see page 165	94,-

Concealed single-lever bath / shower mixer



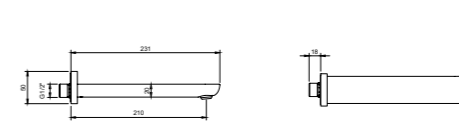
- Material: Brass
- Wall-mounted
- Max flow rate at 3 bar 18 l/min
- With automatic diverter

Article number	Description	Price
TVS10435300061	Chrome	176,-

Required Miscellaneous

Article number	Description	Price
TVS00035100000	Vi-Box universal concealed installation unit for single-lever mixer / see page 165	94,-

Bath spout



- Material: Brass
- Wall-mounted
- Connection Type 1/2"
- Max flow rate at 3 bar 20,2 l/min
- Spout length 210 mm



Article number	Description	Price
TVT10450500061	Chrome	98,-

O.NOVO START

GBP excl. VAT

Taps

Exceptionally attractive

Narrow contours and curved transitions characterise the design of O.novo Start. An eye-catcher in the modern bathroom, perfect Villeroy & Boch quality at an attractive price point.

Design and special features

- Thanks to 3 different heights, the basin mixers can be combined with a variety of different washbasins.
- Integrated EasyClean aerator



Finishes

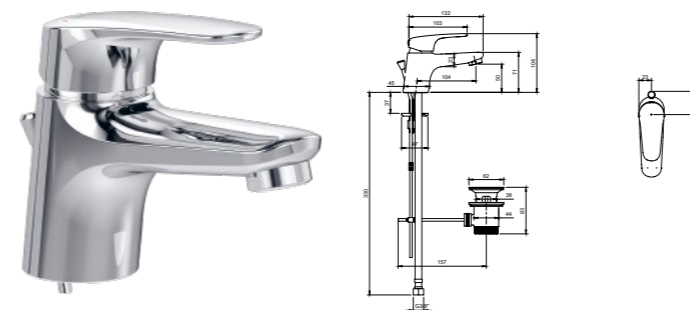


Chrome

O.NOVO START

GBP excl. VAT

Single-lever basin mixer

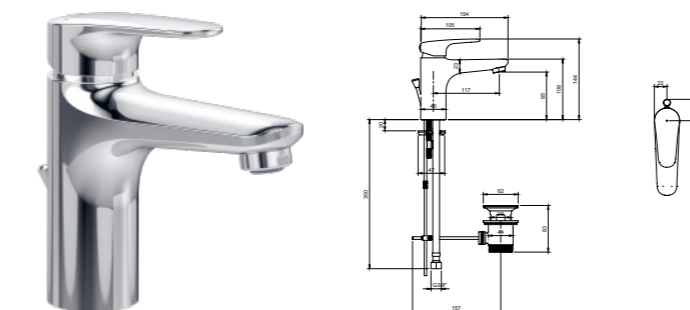


- With push/pull rod lever and pop-up waste
- Material: Brass
- Deck-mounted
- Connection Type 3/8"
- Max flow rate at 3 bar 4,3 l/min
- Spout length 107 mm
- Spout height 50 mm



Article number	Description	Price
TVW10514111061	Chrome	107,-

Single-lever basin mixer



- With push/pull rod lever and pop-up waste
- Material: Brass
- Deck-mounted
- Connection Type 3/8"
- Max flow rate at 3 bar 4,8 l/min
- Spout length 117 mm
- Spout height 85 mm

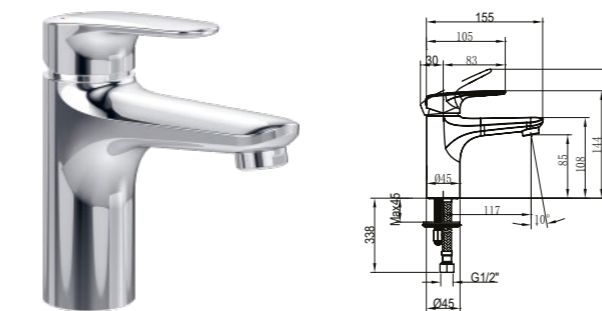


Article number	Description	Price
TVW10510111061	Chrome	124,-

Alternative product

Article number	Description	Price
TVW10510311061	Single-lever basin mixer, Chrome / see below	112,-

Single-lever basin mixer

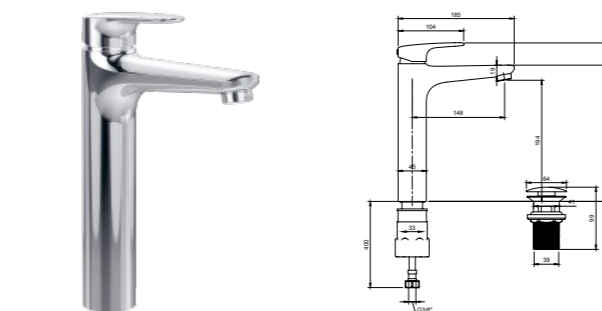


- Without waste
- Material: Brass
- Deck-mounted
- Connection Type 3/8"
- Max flow rate at 3 bar 4,5 l/min
- Spout length 117 mm
- Spout height 85 mm



Article number	Description	Price
TVW10510311061	Chrome	112,-

Tall single-lever basin mixer



- With push-open waste
- Material: Brass
- Deck-mounted
- Connection Type 3/8"
- Max flow rate at 3 bar 4,6 l/min
- Spout length 148 mm
- Spout height 194 mm

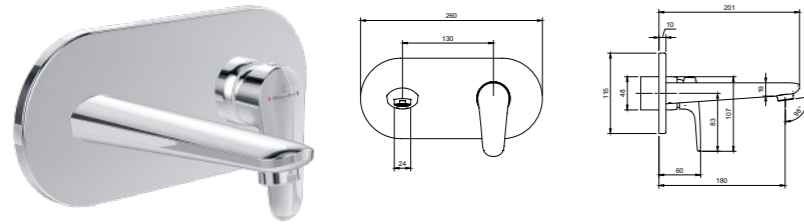


Article number	Description	Price
TVW10510511061	Chrome	190,-

O.NOVO START

GBP excl. VAT

Single-lever basin mixer



- With push-open waste
- Material: Brass
- Wall-mounted
- Max flow rate at 3 bar 4,4 l/min
- Spout length 180 mm

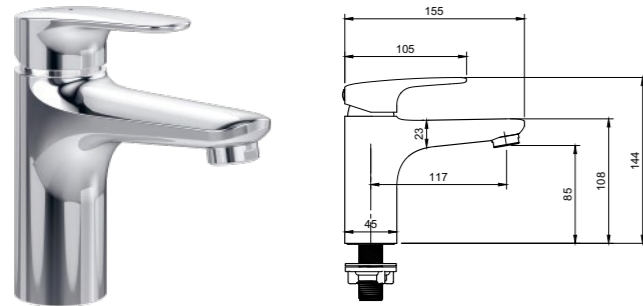


Article number	Description	Price
TVW10511211061	Chrome	194,-

Required Miscellaneous

Article number	Description	Price
TVW00015200000	Universal concealed installation unit for single-lever mixer / see page 165	105,-

Cold water tap

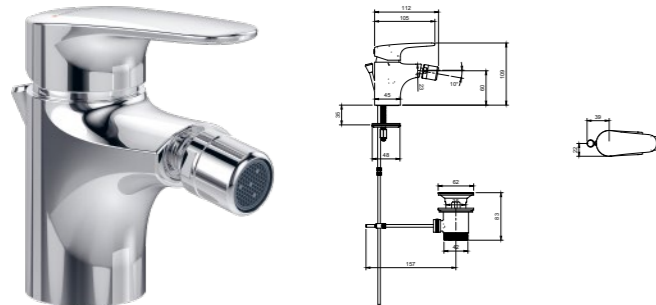


- Material: Brass
- Deck-mounted
- Connection Type 1/2"
- Max flow rate at 3 bar 4,5 l/min
- Spout length 117 mm
- Spout height 85 mm



Article number	Description	Price
TVW10500111061	Chrome	107,-

Single-lever bidet mixer

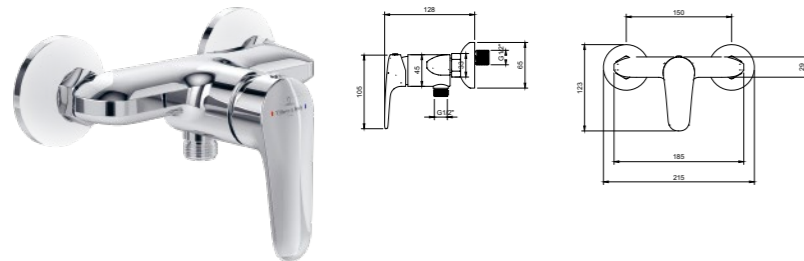


- With push/pull rod lever and pop-up waste
- Material: Brass
- Deck-mounted
- Connection Type 3/8"
- Max flow rate at 3 bar 4,5 l/min
- Spout length 87 mm
- Spout height 60 mm



Article number	Description	Price
TVB10520111061	Chrome	107,-

Single-lever shower mixer



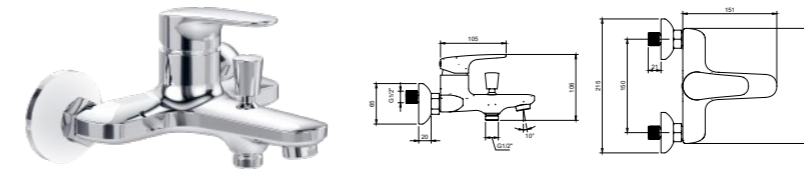
- Material: Brass
- Wall-mounted
- Connection Type 1/2"
- Hand shower hose connection 1/2"
- Max flow rate at 3 bar 18,5 l/min
- With backflow preventer

Article number	Description	Price
TVS10530111061	Chrome	132,-

O.NOVO START

GBP excl. VAT

Single-lever bath & shower mixer

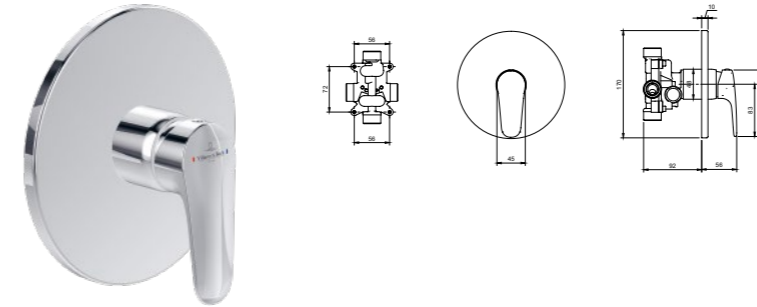


- Material: Brass
- Wall-mounted
- Connection Type 1/2"
- Hand shower hose connection 1/2"
- Max flow rate at 3 bar 21,6 l/min
- With automatic diverter



Article number	Description	Price
TVT10550111061	Chrome	154,-

Concealed single-lever bath / shower mixer



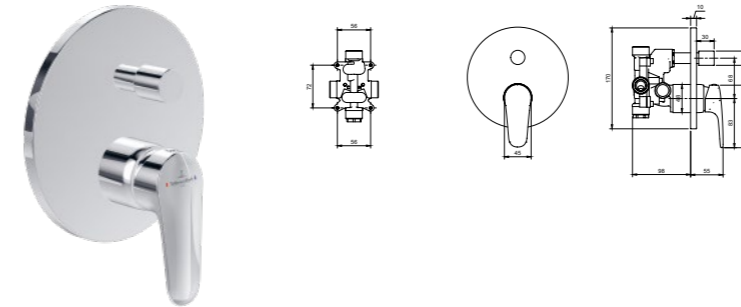
- Material: Brass
- Wall-mounted
- Max flow rate at 3 bar 23,6 l/min

Article number	Description	Price
TVS10535211061	Chrome	131,-

Required Miscellaneous

Article number	Description	Price
TVS00035100000	Vi-Box universal concealed installation unit for single-lever mixer / see page 165	94,-

Concealed single-lever bath / shower mixer



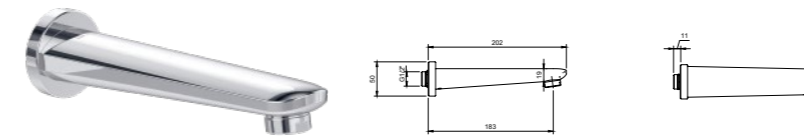
- Material: Brass
- Wall-mounted
- Max flow rate at 3 bar 22,9 l/min
- With automatic diverter

Article number	Description	Price
TVS10535311061	Chrome	146,-

Required Miscellaneous

Article number	Description	Price
TVS00035100000	Vi-Box universal concealed installation unit for single-lever mixer / see page 165	94,-

Bath spout



- Material: Brass
- Wall-mounted
- Connection Type 1/2"
- Max flow rate at 3 bar 27,5 l/min
- Spout length 183 mm

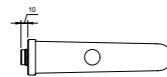
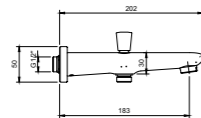


Article number	Description	Price
TVT10550511061	Chrome	76,-

O.NOVO START

GBP excl. VAT

Bath spout with diverter



- Material: Brass
- Wall-mounted
- Connection Type 1/2"
- Max flow rate at 3 bar 29,1 l/min
- With automatic diverter
- Spout length 183 mm



Article number	Description	Price
TVT10550811061	Chrome	94,-

VERVE SHOWERS

GBP excl. VAT

Taps

Design meets comfort

The new Verve shower series blends seamlessly into the bathroom furnishings with its timeless design and can be combined with all Villeroy & Boch collections and styles. Thanks to the different flow types, Verve creates a custom shower experience.

Design and special features

- Water-saving hand showers for sustainable use
- With three different flow types: Relaxation, Massage, Intensive



VERVE SHOWERS

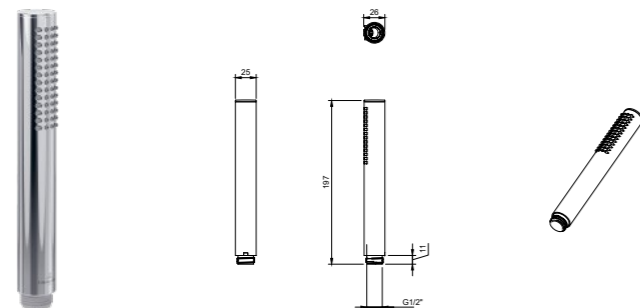
Finishes



Chrome Brushed Nickel Matt Brushed Gold Matt Black

VERVE SHOWERS

Hand shower



- Material: Brass
- Hand shower hose connection 1/2"
- Spray Modes: Comfort jet
- Max flow rate at 3 bar 9,37 l/min
- Hand shower with integrated check valve
- Handshower Ø 25 mm



Article number	Description	Price
TVS10900600061	Chrome	94,-
TVS10900600064	Brushed Nickel Matt	131,-
TVS10900600076	Brushed Gold	131,-
TVS109006000K5	Matt Black	131,-

Hand shower with three spray types

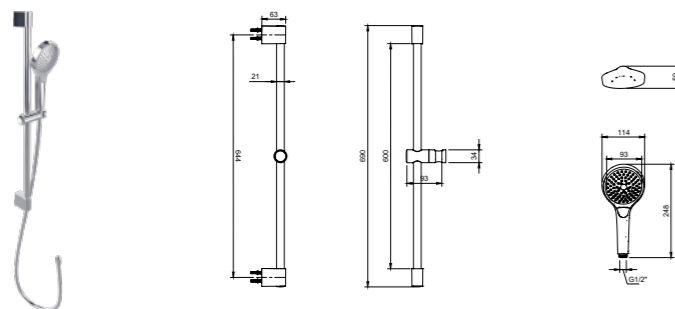


- Material: ABS
- Spray Modes: Hand shower with relax, massage and intense spray type
- Max flow rate at 3 bar 8,51 l/min
- Hand shower with integrated check valve
- Handshower Ø 110 mm



Article number	Description	Price
TVS109001UK061	Chrome	80,-
TVS109001UK064	Brushed Nickel Matt	113,-
TVS109001UK076	Brushed Gold	113,-
TVS109001UK0K5	Matt Black	113,-

Shower set with three features



- Material: ABS/Brass
- Wall-mounted
- Hand shower hose connection 1/2"
- Shower hose 1600 mm
- Flexible mounting
- Spray Modes: Hand shower with relax, massage and intense spray type
- Hand shower: max flow rate at 3 bar 8,51 l/min
- Hand shower with integrated check valve
- Handshower Ø 110 mm



Article number	Description	Price
TVS109007UK061	Chrome	139,-
TVS109007UK064	Brushed Nickel Matt	197,-
TVS109007UK076	Brushed Gold	197,-
TVS109007UK0K5	Matt Black	197,-

UNIVERSAL FITTINGS

Taps

The all-rounder

Universal showering is a genuine allrounder for the bathroom. With its numerous forms, sizes and installation variants it is the right choice for creating individual bathroom settings, matching all Villeroy & Boch collections.

Design and special features

- Generic shower products for all Villeroy & Boch taps collections
- Showering products for surface-mounted or concealed installation



Finishes

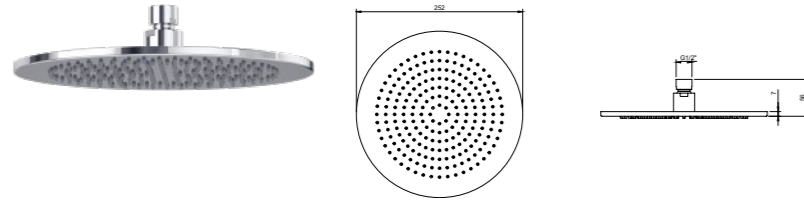


- Please note: Not every article is available in every finish. You can find all finish possibilities in the product view.
- Please note for subsequent orders: slight variations in colour may occur between different production batches.
- Please follow the instructions when caring for tap fittings and accessories.

UNIVERSAL FITTINGS

GBP excl. VAT

Rain shower

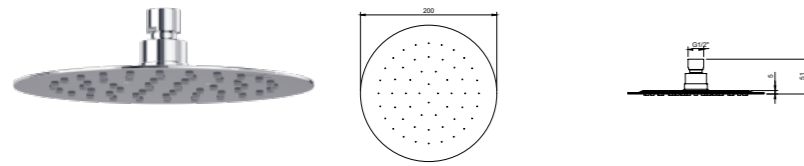


- Material: Brass
- Connection Type 1/2"
- Rain shower: max flow rate at 3 bar 11,7 l/min
- Shower Ø 250 mm



Article number	Description	Price
TVC0000100064	Brushed Nickel Matt	288,-
TVC0000100076	Brushed Gold	288,-
TVC00001000K5	Matt Black	288,-

Rain shower

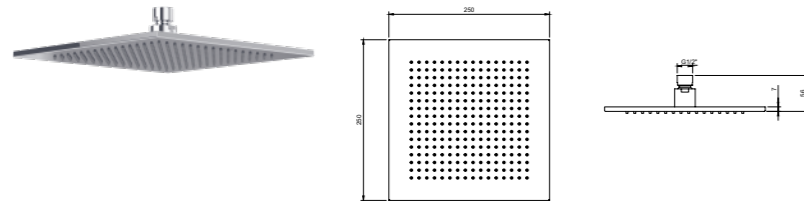


- Material: Stainless steel
- Connection Type 1/2"
- Rain shower: max flow rate at 3 bar 11,5 l/min
- Shower Ø 200 mm



Article number	Description	Price
TVC00040120061	Chrome	109,-

Rain shower

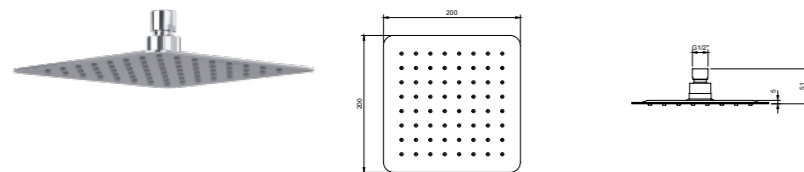


- Material: Brass
- Connection Type 1/2"
- Rain shower: max flow rate at 3 bar 11,7 l/min
- Shower Dimension 250x250 mm



Article number	Description	Price
TVC00000200061	Chrome	243,-
TVC000002000K5	Matt Black	342,-

Rain shower

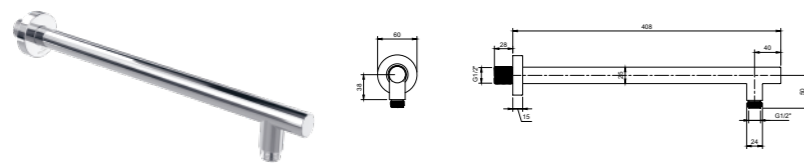


- Material: Stainless steel
- Connection Type 1/2"
- Rain shower: max flow rate at 3 bar 11,4 l/min
- Shower Dimension 200x200 mm



Article number	Description	Price
TVC00040220061	Chrome	115,-

Rain shower arm



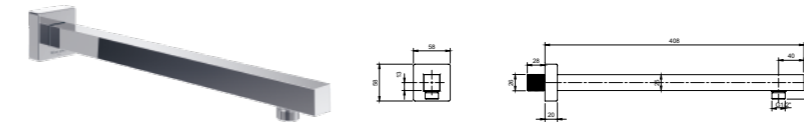
- Material: Brass
- Wall-mounted
- Connection Type 1/2"
- Length: 406 mm

Article number	Description	Price
TVC00045351061	Chrome	75,-
TVC00045351064	Brushed Nickel Matt	106,-
TVC00045351076	Brushed Gold	106,-
TVC000453510K5	Matt Black	106,-

UNIVERSAL FITTINGS

GBP excl. VAT

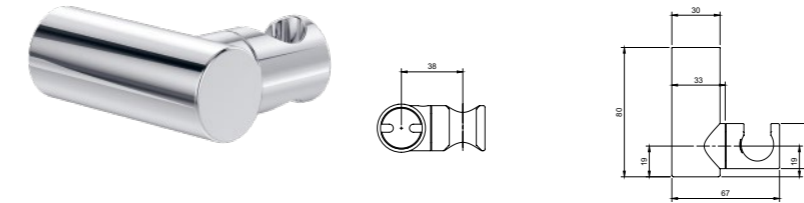
Rain shower arm



- Material: Brass
- Wall-mounted
- Connection Type 1/2"
- Length: 406 mm

Article number	Description	Price
TVC00045453061	Chrome	75,-
TVC000454530K5	Matt Black	105,-

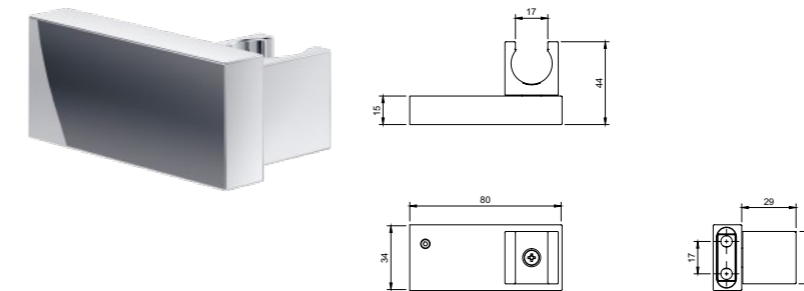
Hand shower holder



- Material: Brass
- Wall-mounted

Article number	Description	Price
TVC00045800061	Chrome	75,-
TVC00045800064	Brushed Nickel Matt	108,-
TVC00045800076	Brushed Gold	108,-
TVC000458000K5	Matt Black	108,-

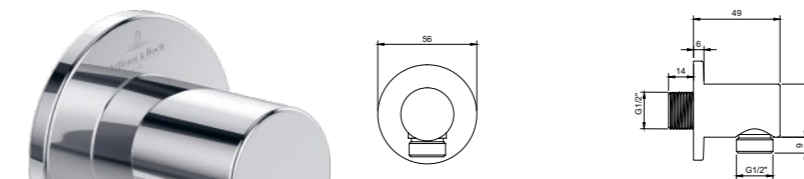
Hand shower holder



- Material: Brass
- Wall-mounted

Article number	Description	Price
TVC00045900061	Chrome	74,-
TVC000459000K5	Matt Black	105,-

Wall outlet



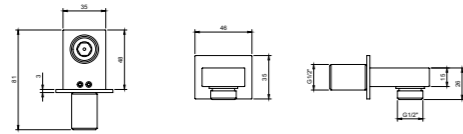
- Material: Brass
- Wall-mounted
- Connection Type 1/2"
- Hand shower hose connection 1/2"

Article number	Description	Price
TVC00045600061	Chrome	57,-
TVC00045600064	Brushed Nickel Matt	81,-
TVC00045600076	Brushed Gold	81,-
TVC000456000K5	Matt Black	81,-

UNIVERSAL FITTINGS

GBP excl. VAT

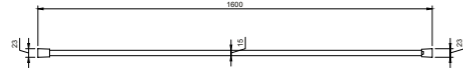
Wall outlet



- Material: Brass
- Wall-mounted
- Connection Type 1/2"
- Hand shower hose connection 1/2"

Article number	Description	Price
TVC00045700061	Chrome	61,-
TVC000457000K5	Matt Black	89,-

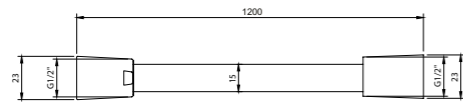
Shower hose



- Material: ##Kunststoff (PVC)
- Connection Type 1/2"
- Length: 1600 mm
- Anti-twist protection on both sides

Article number	Description	Price
TVC00003400061	Chrome	42,-
TVC00003400064	Brushed Nickel Matt	58,-
TVC00003400076	Brushed Gold	58,-
TVC000034000K5	Matt Black	58,-

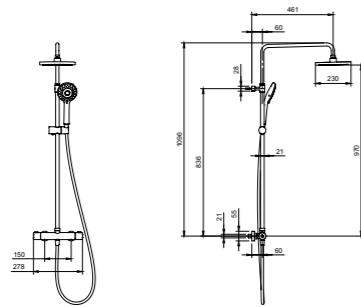
Shower hose



- Material: ##Kunststoff (PVC)
- Connection Type 1/2"
- Length: 1200 mm
- Anti-twist protection on both sides

Article number	Description	Price
TVC00003500061	Chrome	35,-
TVC00003500064	Brushed Nickel Matt	51,-
TVC00003500076	Brushed Gold	51,-
TVC000035000K5	Matt Black	51,-

Shower system with three features



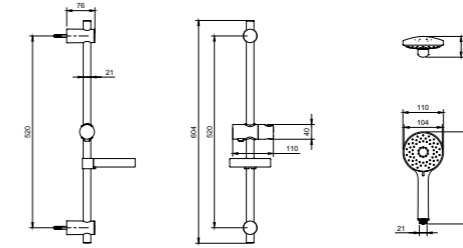
- Material: ABS/Stainless steel
- Wall-mounted
- Connection Type 1/2"
- Shower hose 1600 mm
- Spray Modes: Hand shower with relax, massage and intense spray type
- Hand shower: max flow rate at 3 bar 8,93 l/min
- Rain shower: max flow rate at 3 bar 8,88 l/min
- Adjustable temperature limitation
- Hand shower with integrated check valve
- Handshower Ø 110 mm
- Shower Ø 230 mm
- With integrated diverter

Article number	Description	Price
TVS109002UK061	Chrome	409,-
TVS109002UK0K5	Matt Black	572,-

UNIVERSAL FITTINGS

GBP excl. VAT

Shower set with three features

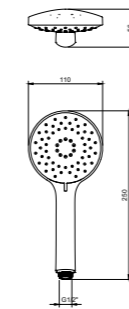


- Material: ABS/Stainless steel
- Wall-mounted
- Hand shower hose connection 1/2"
- Shower hose 1600 mm
- Spray Modes: Hand shower with relax, massage and intense spray type
- Max flow rate at 3 bar 8,93 l/min
- Hand shower: max flow rate at 3 bar 8,7 l/min
- Hand shower with integrated check valve
- Handshower Ø 110 mm



Article number	Description	Price
TVS109004UK061	Chrome	92,-
TVS109004UK0K5	Matt Black	129,-

Hand shower with three spray types



- Material: ABS
- Spray Modes: Hand shower with relax, massage and intense spray type
- Hand shower: max flow rate at 3 bar 8,93 l/min
- Hand shower with integrated check valve
- Handshower Ø 110 mm



Article number	Description	Price
TVS109003UK061	Chrome	42,-
TVS109003UK0K5	Matt Black	58,-

UNIVERSAL TAPS & FITTINGS

Taps

The perfect fix

Universal Taps and Fittings offer the finishing touch to the bathroom. From the Vi-Box for easy installation to a shower for your bidet. Every product is designed to match all Villeroy & Boch taps collections, each with an individual touch.

Design and special features

- Generic shower products for all Villeroy & Boch taps collections
- Perfect combination of design and functionality



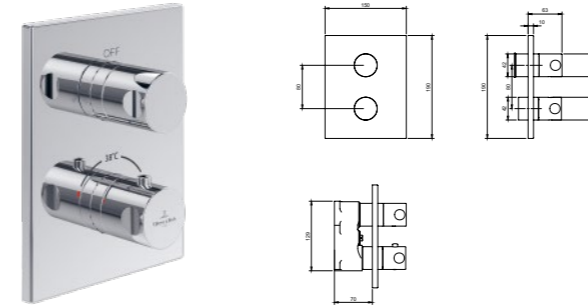
Finishes



- Please note: Not every article is available in every finish. You can find all finish possibilities in the product view.
- Please note for subsequent orders: slight variations in colour may occur between different production batches.
- Please follow the instructions when caring for tap fittings and accessories.

UNIVERSAL TAPS & FITTINGS

Concealed thermostat with two function volume control



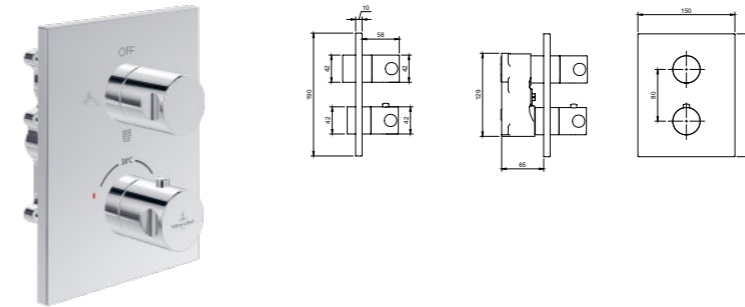
- Material: Brass
- Wall-mounted
- Flow volume at 3 bar: 18.9 l/min & 16.7 l/min
- Two function volume control
- With backflow preventer
- With diverter

Article number	Description	Price
TVD00065300061	Chrome	409,-
TVD00065300064	Brushed Nickel Matt	574,-
TVD00065300076	Brushed Gold	574,-
TVD000653000K5	Matt Black	574,-

Required Miscellaneous

Article number	Description	Price
TVD00065100000	Vi-Box concealed thermostat installation unit with security lock / see page 165	139,-

Concealed thermostat with three-way volume control



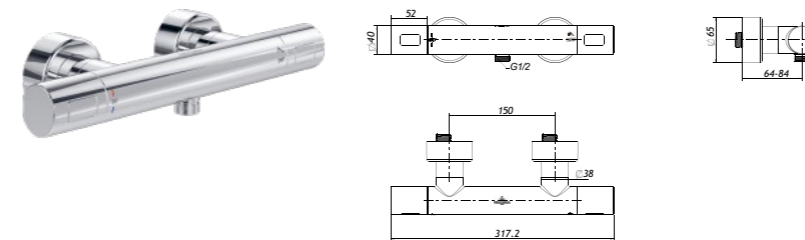
- Material: Brass
- Wall-mounted
- 3-way volume control
- Adjustable temperature limitation
- With diverter

Article number	Description	Price
TVD00000100061	Chrome	439,-

Required Miscellaneous

Article number	Description	Price
TVD00065100000	Vi-Box concealed thermostat installation unit with security lock / see page 165	139,-

Shower thermostat



- Material: Brass
- Wall-mounted
- Connection Type 1/2"
- Hand shower hose connection 1/2"
- Max flow rate at 3 bar 21 l/min
- Adjustable temperature limitation
- With backflow preventer

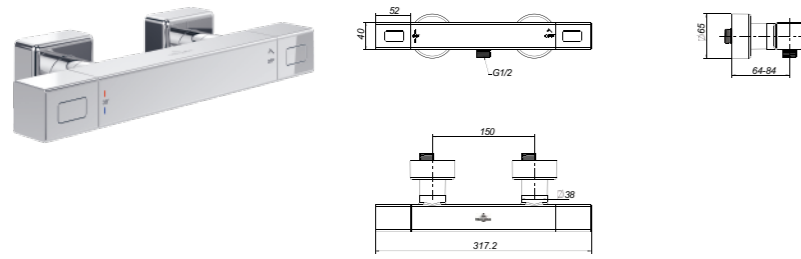


Article number	Description	Price
TVS00001700061	Chrome	235,-
TVS000017000K5	Matt Black	329,-

UNIVERSAL TAPS & FITTINGS

GBP excl. VAT

Shower thermostat

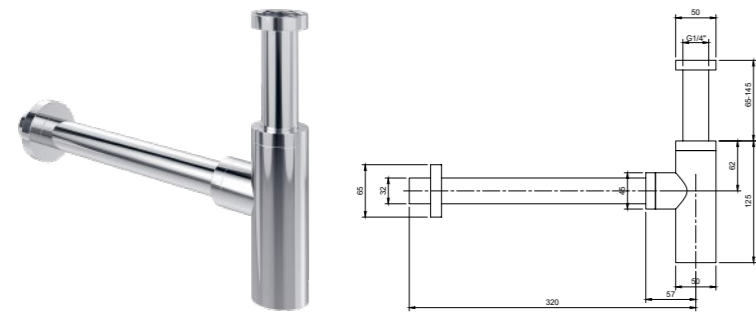


- Material: Brass
- Wall-mounted
- Connection Type 1/2"
- Hand shower hose connection 1/2"
- Max flow rate at 3 bar 21 l/min
- Adjustable temperature limitation
- With backflow preventer



Article number	Description	Price
TVS00001800061	Chrome	299,-
TVS000018000K5	Matt Black	418,-

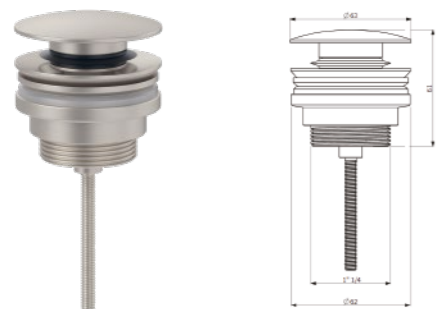
Siphon



- Material: Brass
- Wall-mounted
- Connection Type 1 1/4"
- Openable bottle siphon for easy cleaning

Article number	Description	Price
TVC00000400061	Chrome	106,-
TVC00000400064	Brushed Nickel Matt	149,-
TVC00000400076	Brushed Gold	149,-
TVC000004000K5	Matt Black	149,-

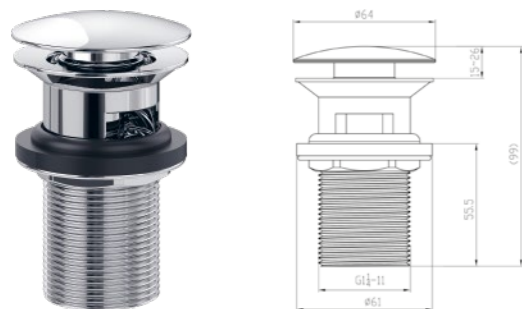
Push-Open waste



- Material: Brass

Article number	Description	Price
TVP00000302064	Brushed Nickel Matt	98,-
TVP000003020K5	Matt Black	98,-

Push-Open waste



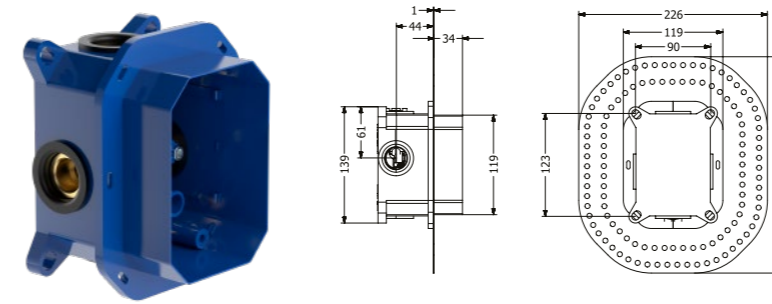
- Material: Brass

Article number	Description	Price
TVP00000301061	Chrome	50,-

UNIVERSAL TAPS & FITTINGS

GBP excl. VAT

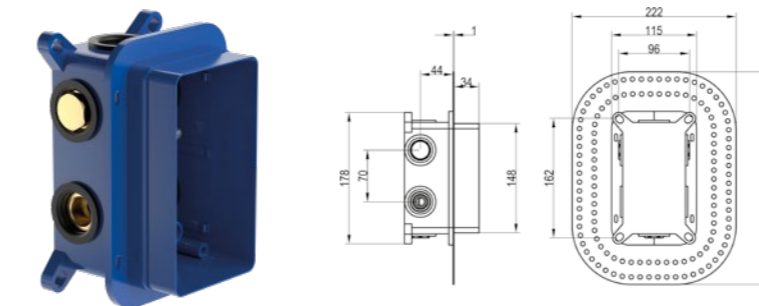
Vi-Box universal concealed installation unit for single-lever mixer



- Material: Plastic
- Wall-mounted
- Min / Max installation depth: 75 / 101 mm
- Flow volume at 3 bar in outlet no.1: 21.5 l/min, in outlet no.2: 21.5 l/min

Article number	Description	Price
TVS00035100000		94,-

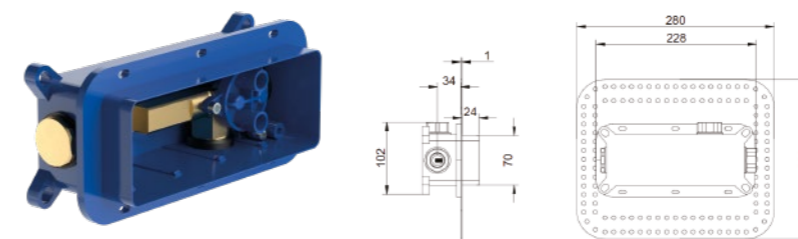
Vi-Box concealed thermostat installation unit with security lock



- Material: Plastic
- Wall-mounted
- Min / Max installation depth: 84 / 106 mm
- Flow volume at 3 bar in outlet no.1: 13.3 l/min, in outlet no.2: 13.7 l/min, in outlet no.3: 13.5 l/min
- With backflow preventer

Article number	Description	Price
TVD00065100000		139,-

Universal concealed installation unit for single-lever mixer



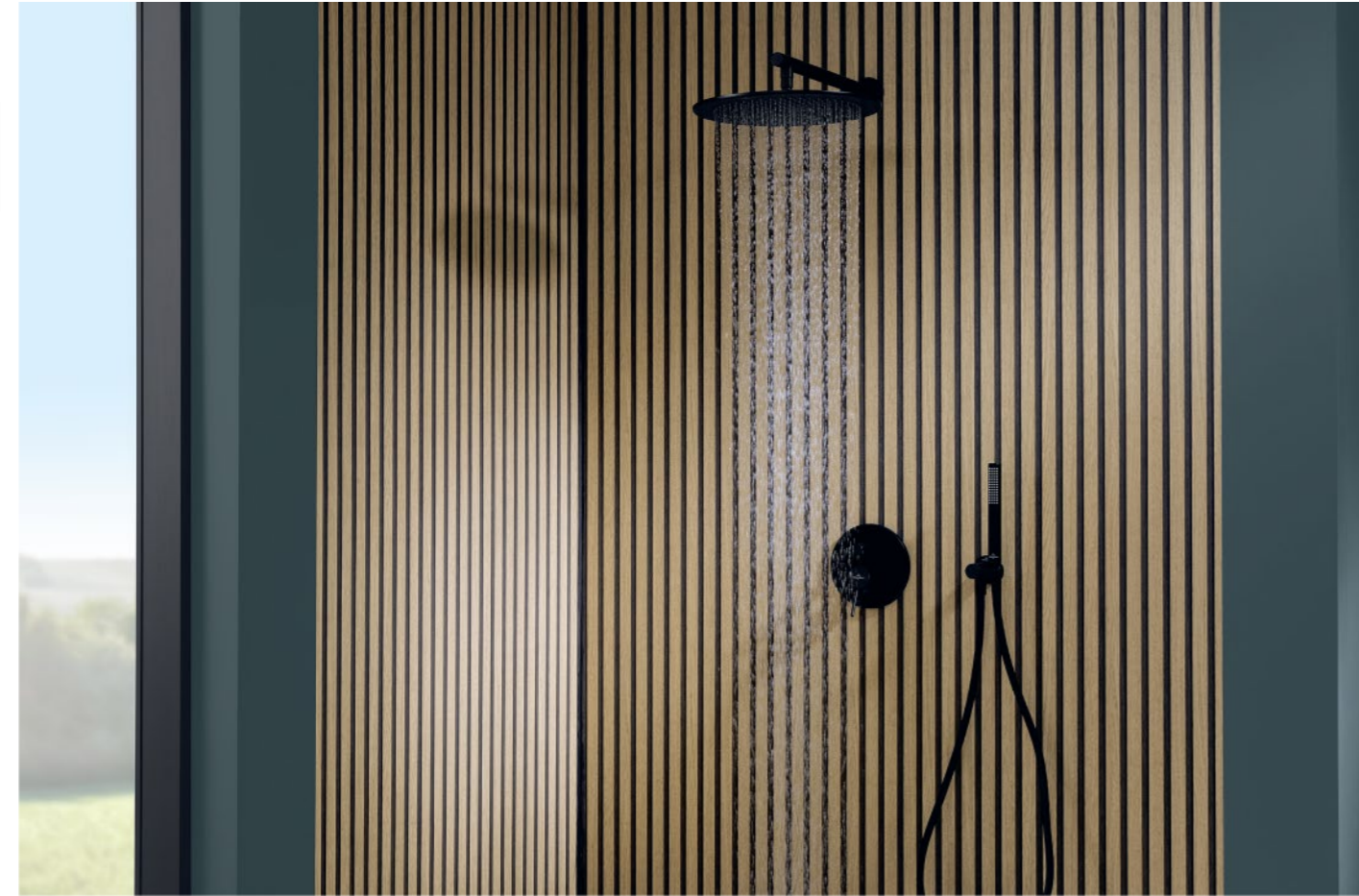
- Material: Plastic
- Wall-mounted
- Min / Max installation depth: 65 / 80 mm
- 1 x Outlet
- Max flow rate at 3 bar 20,7 l/min
- With backflow preventer

Article number	Description	Price
TVW00015200000		105,-

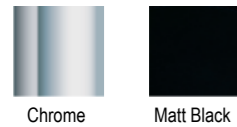
SHOWER PACKS

The Ideal combination

Universal Shower Packs have been specifically chosen to create that elegant on trend offer, putting together our most popular showering variations in numerous high-quality finishes. Making it simple to specify your showering requirements in one easy to order bundle pack.



Finishes



- Please note: Not every article is available in every finish. You can find all finish possibilities in the product view.
- Please note for subsequent orders: slight variations in colour may occur between different production batches.
- Please follow the instructions when caring for tap fittings and accessories.

SHOWER PACKS

Round Complete Shower Set - Chrome - VBSSPACK1



VBSSPACK1

VBSSPACK1			
	Includes	Description	Price
UNIVERSAL FITTINGS	1 TVD00065100000	Universal Vi-Box Concealed Thermostat Installation Unit	£139
UNIVERSAL FITTINGS	2 TVD00065300061	Universal Concealed Thermostat Valve; Dual Outlet; Chrome	£409
UNIVERSAL SHOWERS	3 TVC00040120061	Universal Round Shower Head; Stainless Steel; 200 mm diameter; Chrome	£109
UNIVERSAL SHOWERS	4 TVC00045351061	Universal Round Shower Arm; Wall Mounted; Chrome	£75
UNIVERSAL SHOWERS	5 TVS109003UK061	Universal Round 3 Spray Hand Shower; Chrome	£42
UNIVERSAL SHOWERS	6 TVC00045800061	Universal Round Hand Shower Holder; Chrome	£75
UNIVERSAL SHOWERS	7 TVC00003500061	Universal Shower Hose; 1200 mm; Chrome	£35
UNIVERSAL SHOWERS	8 TVC00045600061	Universal Round Shower Wall Outlet; Chrome	£57
			£941

Square Complete Shower Set - Chrome - VBSSPACK2



VBSSPACK2

VBSSPACK2			
	Includes	Description	Price
UNIVERSAL FITTINGS	1 TVD00065100000	Universal Vi-Box Concealed Thermostat Installation Unit	£139
UNIVERSAL FITTINGS	2 TVD00065300061	Universal Concealed Thermostat Valve; Dual Outlet; Chrome	£409
UNIVERSAL SHOWERS	3 TVC00040220061	Universal Square Shower Head; Stainless Steel; 200 mm diameter; Chrome	£115
UNIVERSAL SHOWERS	4 TVC00045453061	Universal Square Shower Arm; Wall Mounted; Chrome	£75
UNIVERSAL SHOWERS	5 TVS109003UK061	Universal Round 3 Spray Hand Shower; Chrome	£42
UNIVERSAL SHOWERS	6 TVC00045900061	Universal Square Hand Shower Holder; Chrome	£74
UNIVERSAL SHOWERS	7 TVC00003500061	Universal Shower Hose; 1200 mm; Chrome	£35
UNIVERSAL SHOWERS	8 TVC00045700061	Universal Square Shower Wall Outlet; Chrome	£61
			£950

For technical details please refer to the Villeroy & Boch App



SHOWER PACKS

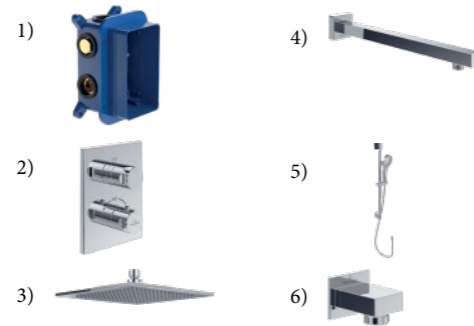
Round Complete Shower Set with Slider Rail Kit - Chrome - VBSSPACK5



VBSSPACK5

VBSSPACK5				
	Includes	Description		Price
UNIVERSAL FITTINGS	1	TVD00065100000	Universal Vi-Box Concealed Thermostat Installation Unit	£139
UNIVERSAL FITTINGS	2	TVD00065300061	Universal Concealed Thermostat Valve; Dual Outlet; Chrome	£409
UNIVERSAL SHOWERS	3	TVC00040120061	Universal Round Shower Head; Stainless Steel; 200 mm diameter; Chrome	£109
UNIVERSAL SHOWERS	4	TVC00045351061	Universal Round Shower Arm; Wall Mounted; Chrome	£75
UNIVERSAL SHOWERS	5	TVS109004UK061	Universal Shower Set; Including Riser Rail, Hose & Round Hand Shower; Chrome	£92
UNIVERSAL SHOWERS	6	TVC00045600061	Universal Round Shower Wall Outlet; Chrome	£57
				£881

Square Verve Complete Shower Set with Slider Rail Kit - Chrome - VBSSPACK6



VBSSPACK6

VBSSPACK6				
	Includes	Description		Price
UNIVERSAL FITTINGS	1	TVD00065100000	Universal Vi-Box Concealed Thermostat Installation Unit	£139
UNIVERSAL FITTINGS	2	TVD00065300061	Universal Concealed Thermostat Valve; Dual Outlet; Chrome	£409
UNIVERSAL SHOWERS	3	TVC00000200061	Universal Square Shower Head; Brass; 250 x 250 mm; Chrome	£243
UNIVERSAL SHOWERS	4	TVC00045453061	Universal Square Shower Arm; Wall Mounted; Chrome	£75
UNIVERSAL SHOWERS	5	TVS109007UK061	Verve Exposed Shower Set; Including Riser Rail, Hose & Hand Shower; Chrome	£139
UNIVERSAL SHOWERS	6	TVC00045700061	Universal Square Shower Wall Outlet; Chrome	£61
				£1,066

For technical details please refer to the Villeroy & Boch App



SHOWER PACKS

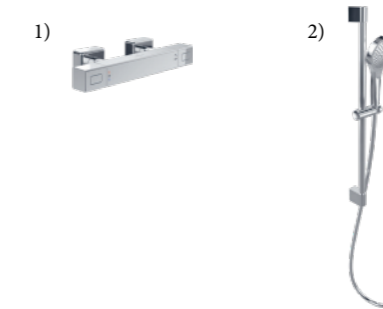
Thermostatic Round Shower Mixer Set - Chrome - VBSSPACK7



VBSSPACK7

VBSSPACK7				
	Includes	Description		Price
UNIVERSAL FITTINGS	1	TVS00001700061	Universal Exposed Round Thermostatic Shower Mixer; Chrome	£235
UNIVERSAL SHOWERS	2	TVS109004UK061	Universal Shower Set; Including Riser Rail, Hose & Round Hand Shower; Chrome	£92
				£327

Thermostatic Square Verve Shower Mixer Set - Chrome - VBSSPACK8



VBSSPACK8

VBSSPACK8				
	Includes	Description		Price
UNIVERSAL FITTINGS	1	TVS00001800061	Universal Exposed Square Thermostatic Shower Mixer; Chrome	£299
VERVE SHOWERS	2	TVS109007UK061	Verve Exposed Shower Set; Including Riser Rail, Hose & Hand Shower; Chrome	£139
				£438

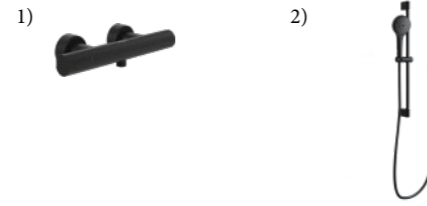
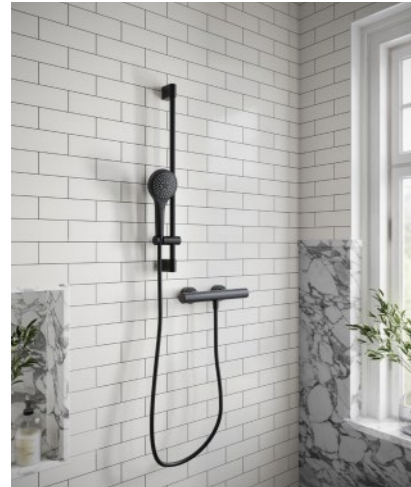
For technical details please refer to the Villeroy & Boch App



SHOWER PACKS

GBP excl. VAT

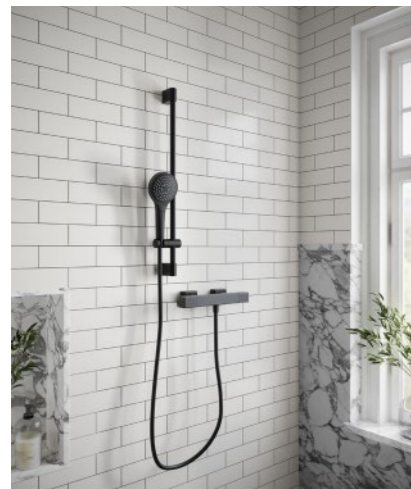
Thermostatic Round Shower Mixer Set - Matt Black - VBSSPACK9



VBSSPACK9

	Includes	Description	Price
UNIVERSAL FITTINGS	1 TVS000017000K5	Universal Exposed Round Thermostatic Shower Mixer; Matt Black	£329
VERVE SHOWERS	2 TVS109007UK0K5	Verve Exposed Shower Set; Including Riser Rail, Hose & Hand Shower; Matt Black	£197
			£526

Thermostatic Square Shower Mixer Set - Matt Black - VBSSPACK10



VBSSPACK10

	Includes	Description	Price
UNIVERSAL FITTINGS	1 TVS000018000K5	Universal Exposed Square Thermostatic Shower Mixer; Matt Black	£418
VERVE SHOWERS	2 TVS109007UK0K5	Verve Exposed Shower Set; Including Riser Rail, Hose & Hand Shower; Matt Black	£197
			£615

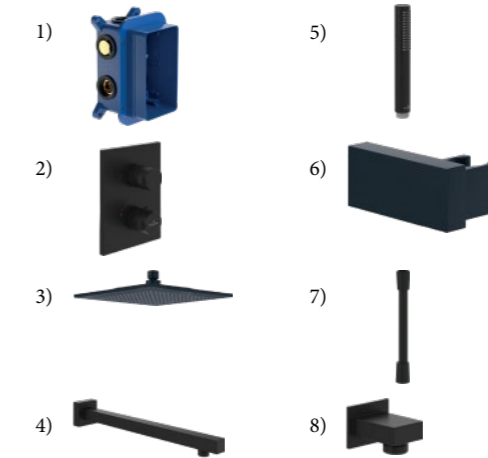
For technical details please refer to the Villeroy & Boch App



SHOWER PACKS

GBP excl. VAT

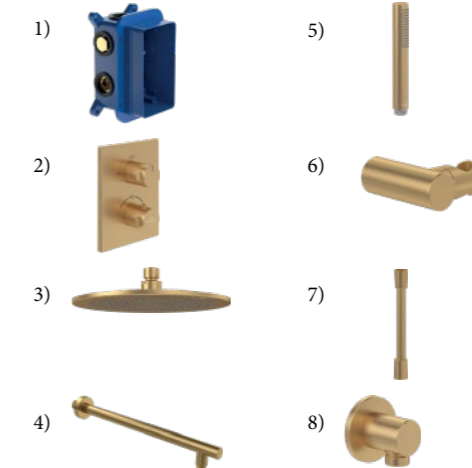
Square Complete Shower Set - Brushed Gold - VBSSPACK12



VBSSPACK12

	Includes	Description	Price
UNIVERSAL FITTINGS	1 TVD000065100000	Universal Vi-Box Concealed Thermostat Installation Unit	£139
UNIVERSAL FITTINGS	2 TVD0000653000K5	Universal Concealed Thermostat Valve; Dual Outlet; Matt Black	£574
UNIVERSAL SHOWERS	3 TVC000002000K5	Universal Square Shower Head; 250 x 250 mm diameter; Matt Black	£342
UNIVERSAL SHOWERS	4 TVC000454530K5	Universal Square Shower Arm; Wall Mounted; Matt Black	£105
VERVE SHOWERS	5 TVS109003UK0K5	Universal Round 3 Spray Hand Shower; Matt Black	£58
UNIVERSAL SHOWERS	6 TVC000459000K5	Universal Square Hand Shower Holder; Matt Black	£105
UNIVERSAL SHOWERS	7 TVC000035000K5	Universal Shower Hose; 1200 mm; Matt Black	£51
UNIVERSAL SHOWERS	8 TVC000457000K5	Universal Square Shower Wall Outlet; Matt Black	£89
			£1,463

Round Complete Shower Set - Brushed Gold - VBSSPACK13



VBSSPACK13

	Includes	Description	Price
UNIVERSAL FITTINGS	1 TVD000065100000	Universal Vi-Box Concealed Thermostat Installation Unit	£139
UNIVERSAL FITTINGS	2 TVD000065300076	Universal Concealed Thermostat Valve; Dual Outlet; Brushed Gold	£574
UNIVERSAL SHOWERS	3 TVC00000100076	Universal Round Shower Head; Brass; 250 mm diameter; Brushed Gold	£288
UNIVERSAL SHOWERS	4 TVC00045351076	Universal Round Shower Arm; Wall Mounted; Brushed Gold	£106
VERVE SHOWERS	5 TVS10900600076	Verve Slim Hand shower; Brushed Gold	£131
UNIVERSAL SHOWERS	6 TVC00045800076	Universal Round Hand Shower Holder; Brushed Gold	£108
UNIVERSAL SHOWERS	7 TVC00003500076	Universal Shower Hose; 1200 mm; Brushed Gold	£51
UNIVERSAL SHOWERS	8 TVC00045600076	Universal Round Shower Wall Outlet; Brushed Gold	£81
			£1,478

For technical details please refer to the Villeroy & Boch App



Villeroy & Boch

GREAT BRITAIN

Villeroy & Boch Group

Ideal Standard (UK) Limited
The Bathroom Works National Avenue
Hull HU5 4HS
England
01482 346461

WWW.VILLEROY-BOCH.CO.UK